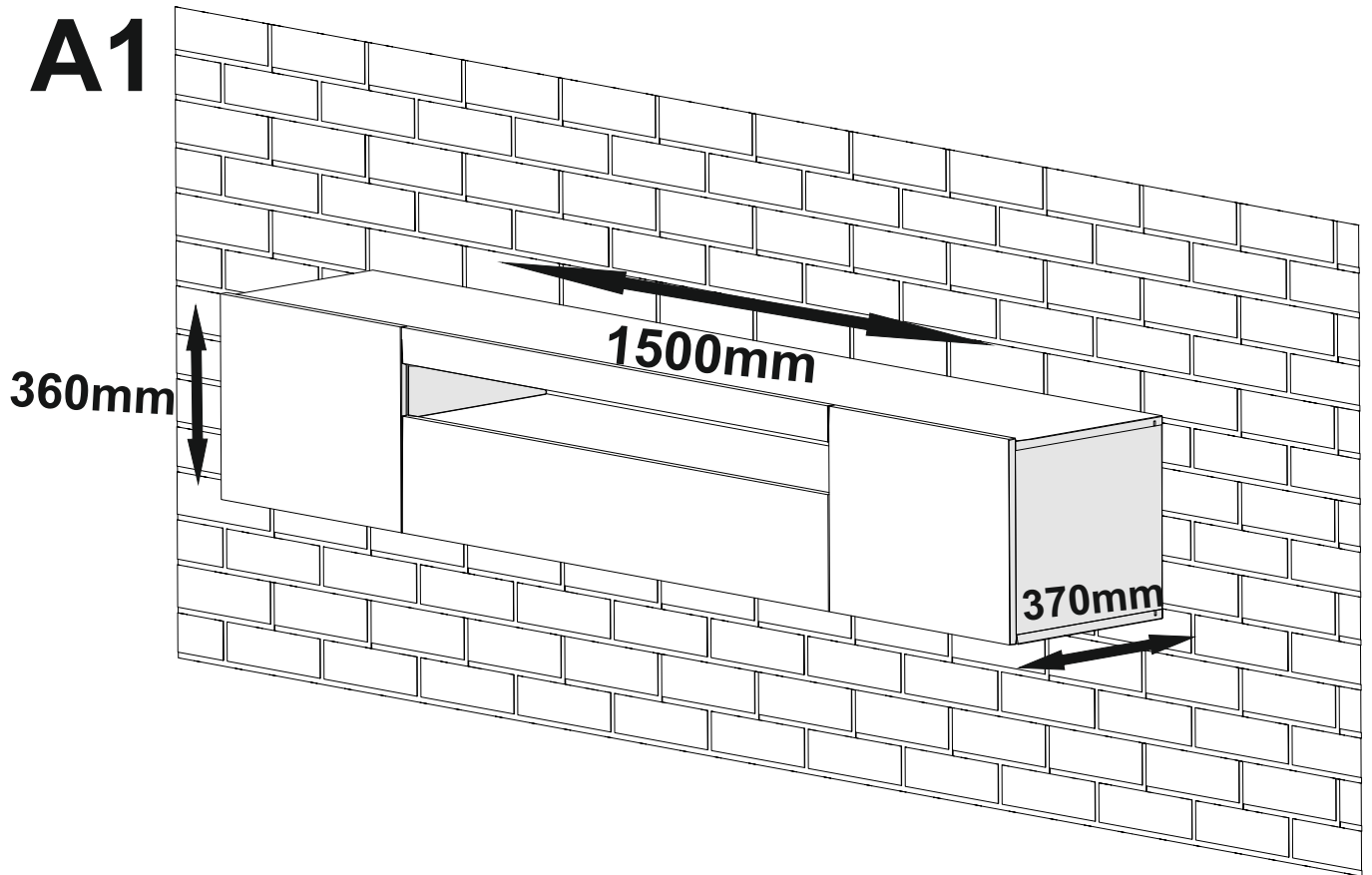


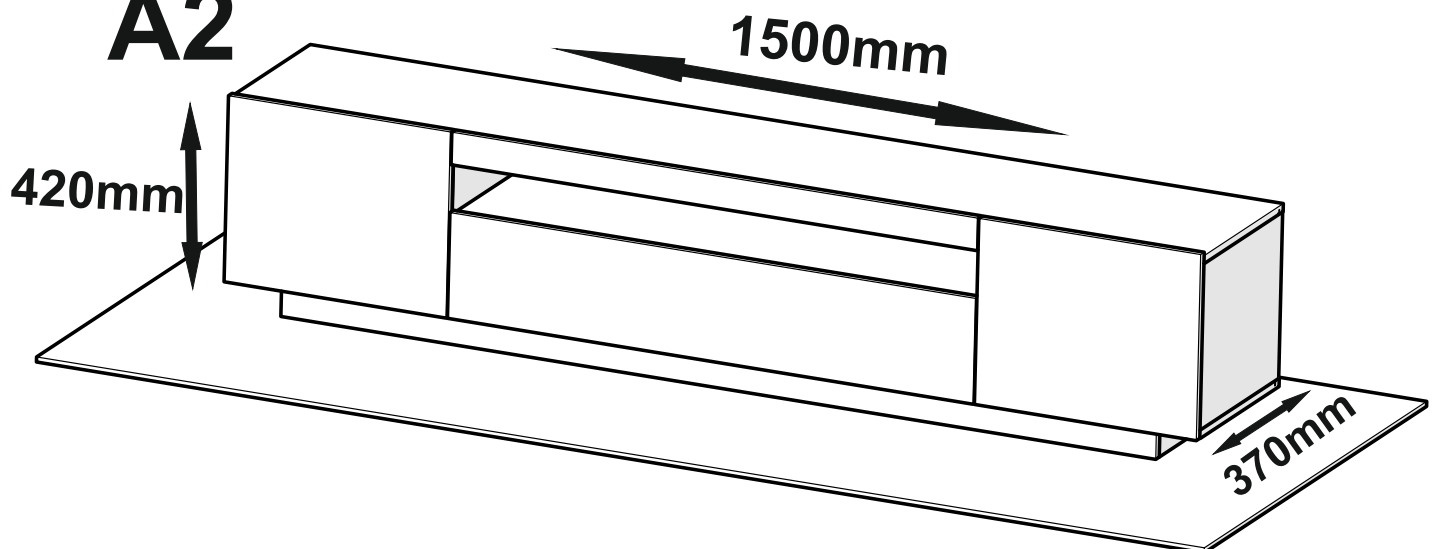
# Model: RTV Aura 150

## Variants:

**A1**



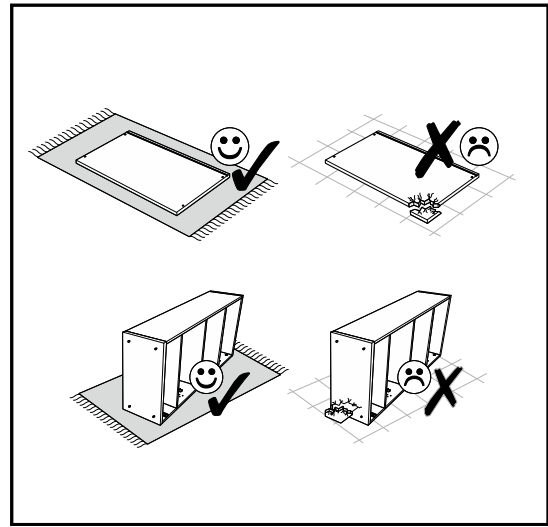
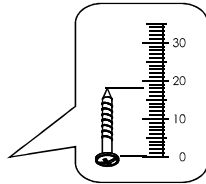
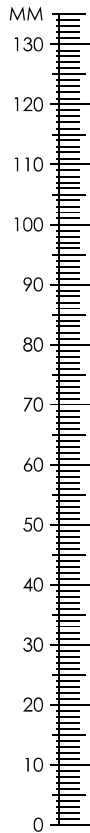
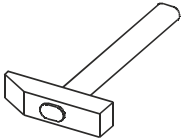
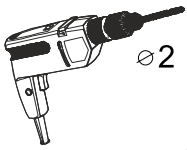
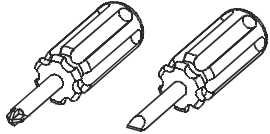
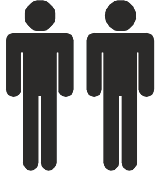
**A2**



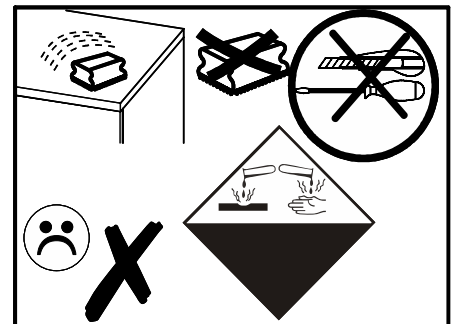
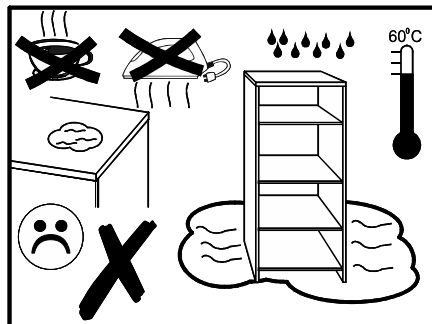
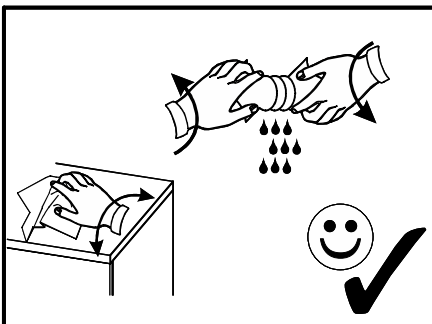
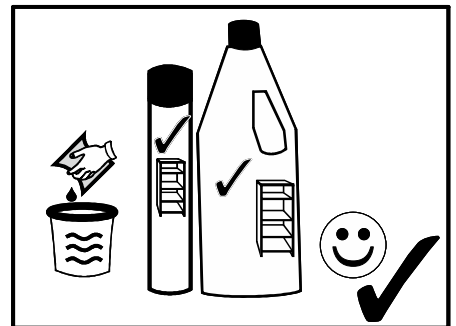
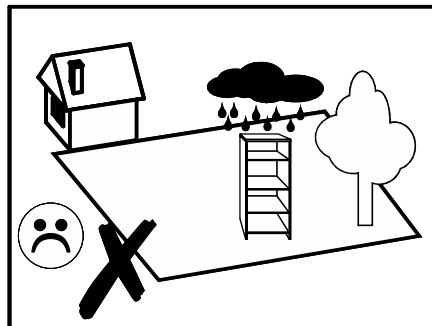
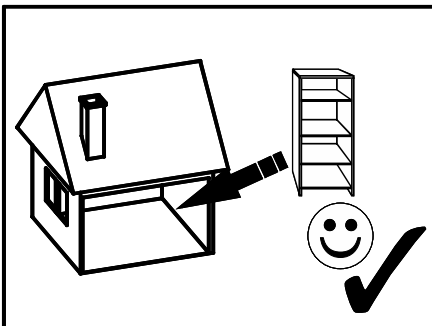
# ASSEMBLY INSTRUCTIONS

**Model: RTV Aura 150**

Use the following for assembly:

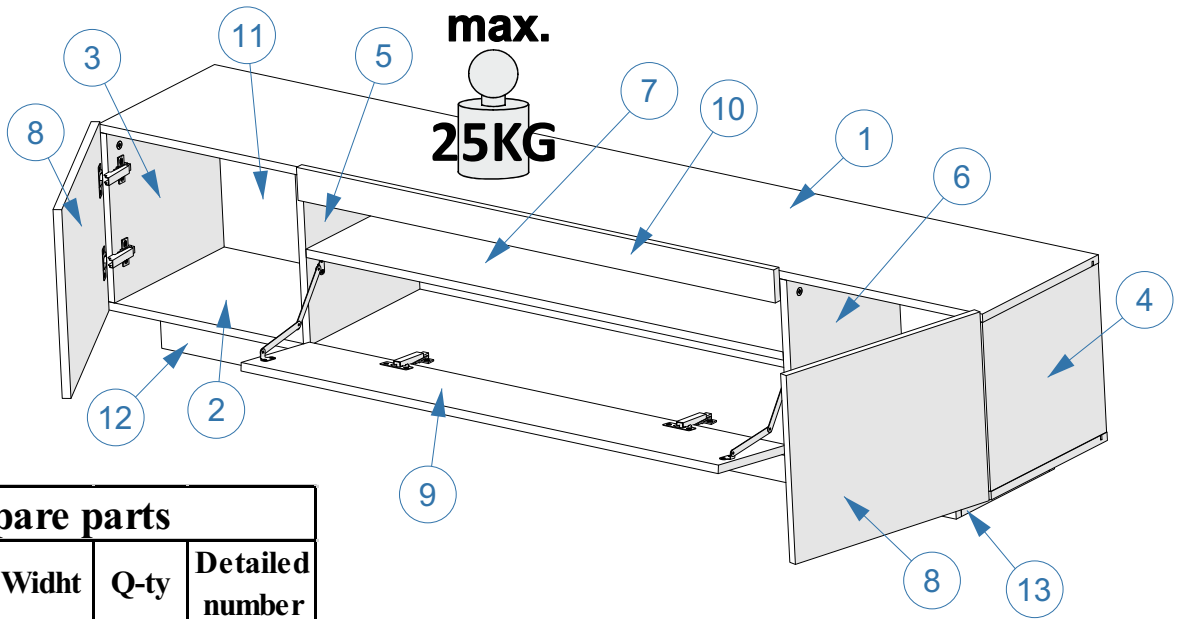
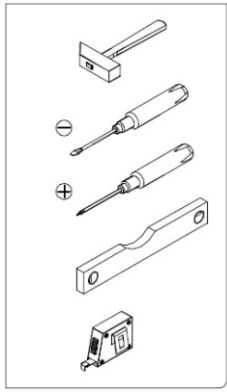


**Before applying the led tape,  
surfaces must be clean / degrease.**



**Care notes!**  
Please wipe with dust cloth or slightly damp rubber.  
Do not use scrubbing or cleaning agents on cabinet.

# Model: RTV Aura 150



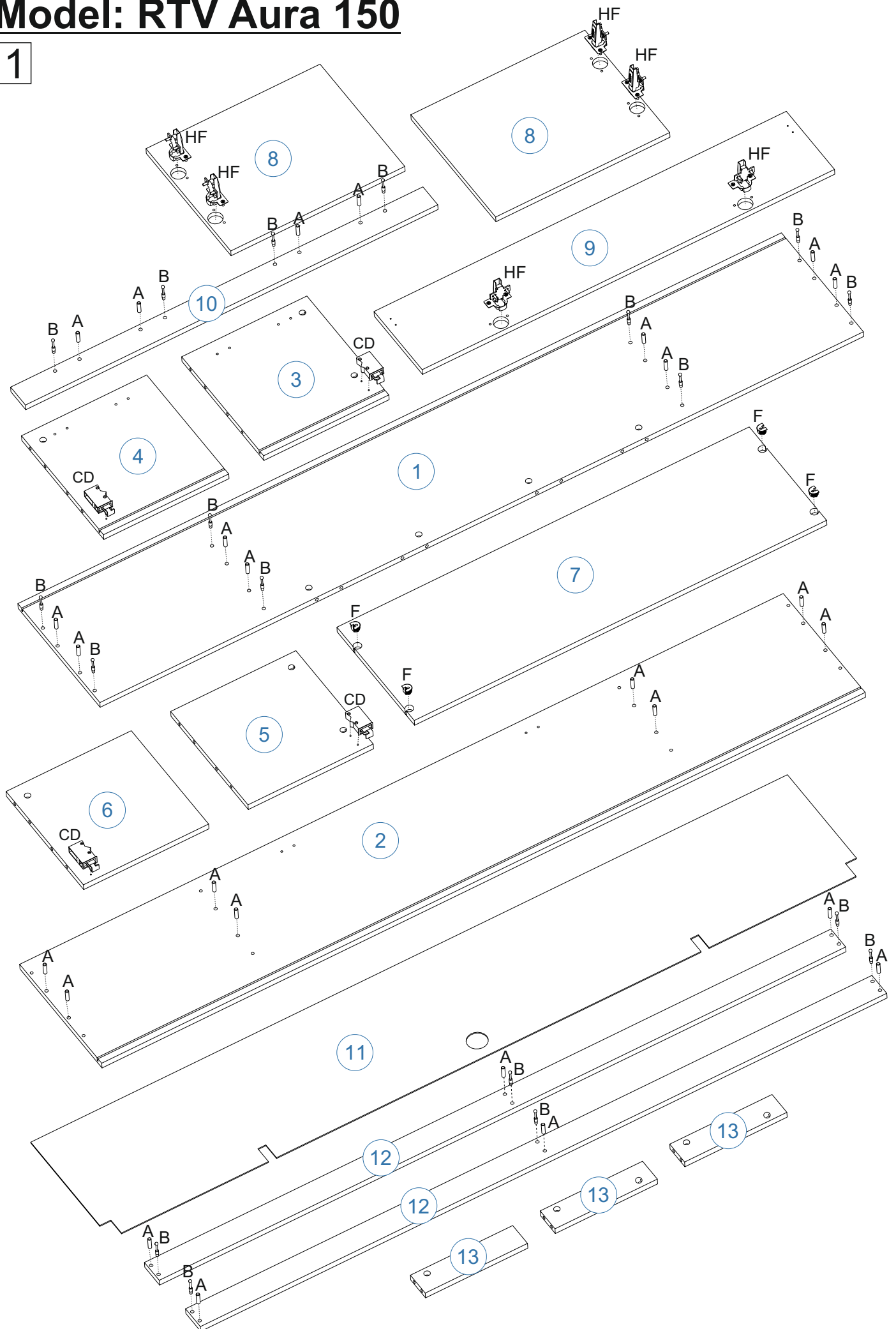
The spare parts				
Part number	Lenght	Widht	Q-ty	Detailed number
Pack 1	580	206	1	10
	1500	354	1	1
	1500	354	1	2
	1298	64	2	12
	580	334	1	7
	1482	344	1	11
	328	354	1	3
	328	354	1	4
	328	334	1	5
	328	334	1	6
	456	366	2	8
	268	64	3	13
	580	64	1	10
	Spare parts			

## General view of the spare parts

A - 26	B - 18	C - 18	D - 28	E - 4	F - 4	I - 1	LN - 10
K - 9	CD - 4	CH - 2	ZS - 2	HF - 6	SH - 12	J - 8	M - 8
S1 - 44	S2 - 22	S4 - 8	SW - 8	W - 8	AT - 10	R - 12	

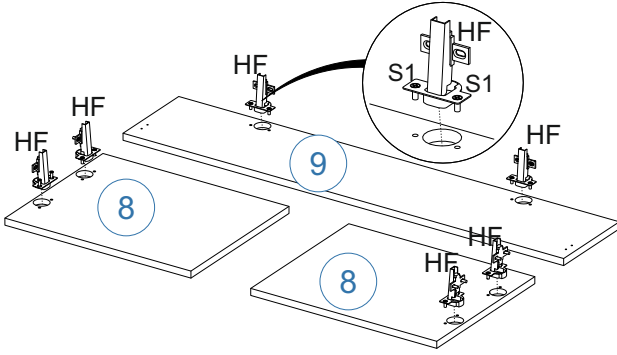
# Model: RTV Aura 150

1

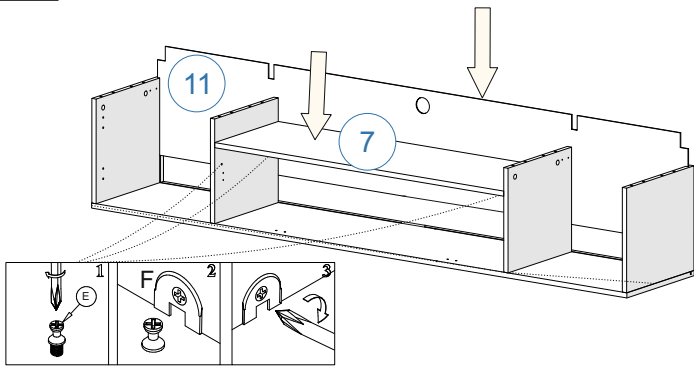


# Model: RTV Aura 150

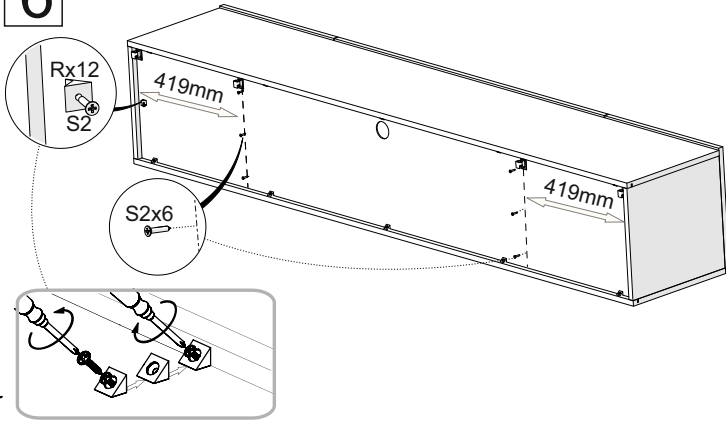
2



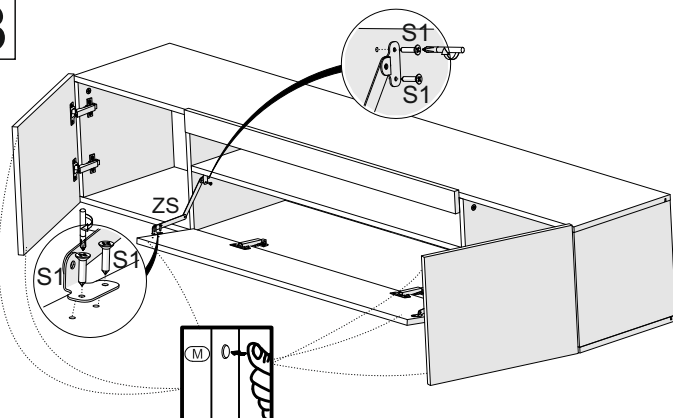
4



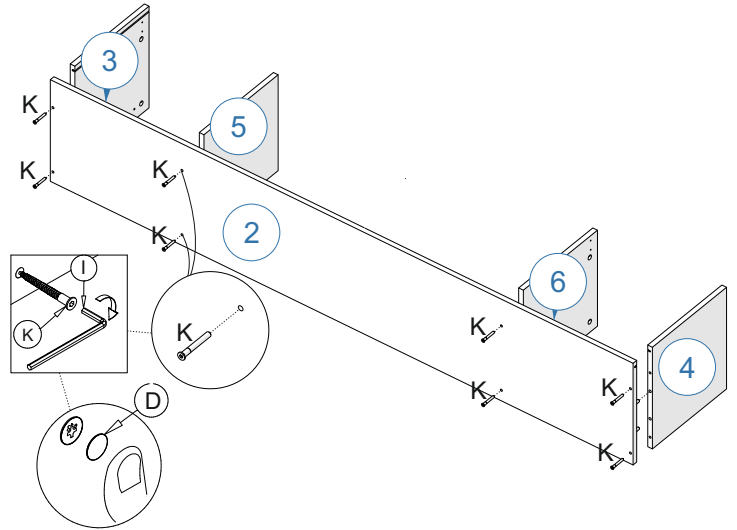
6



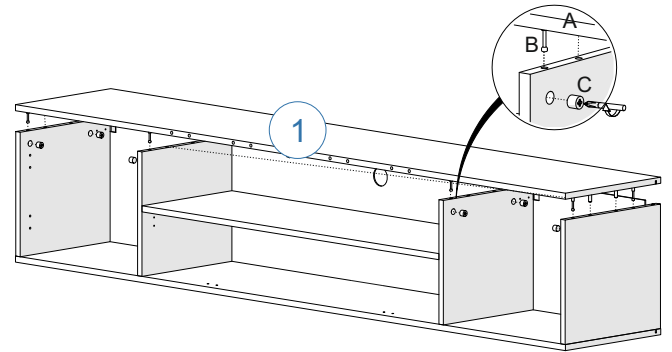
8



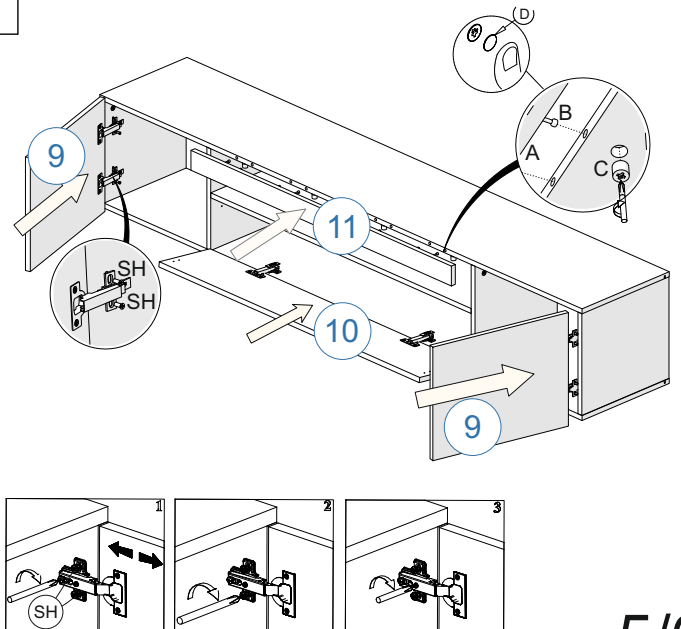
3



5



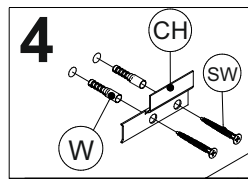
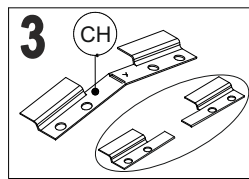
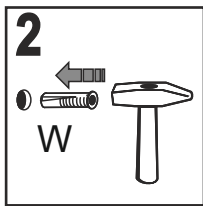
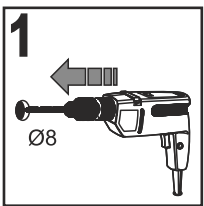
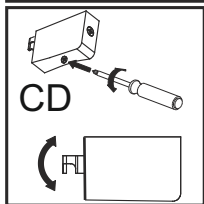
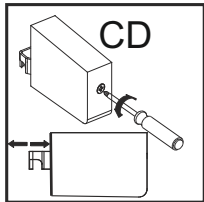
7



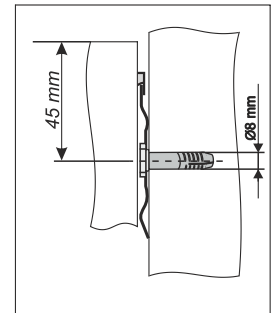
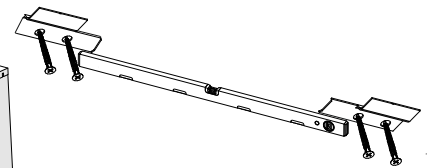
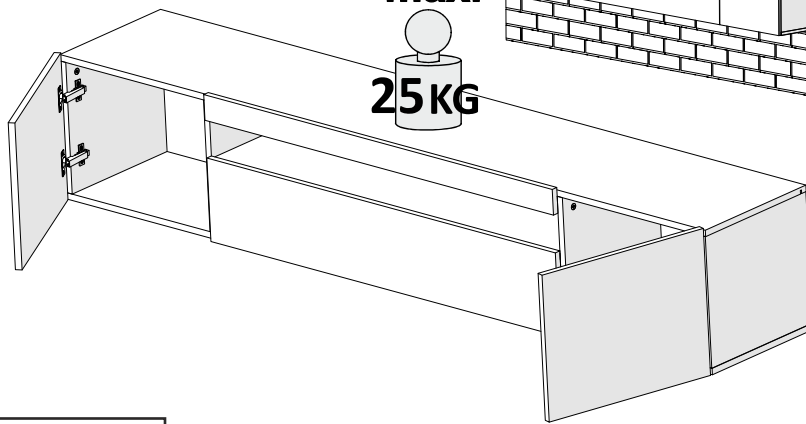
# Model: RTV Aura 150

A1

9

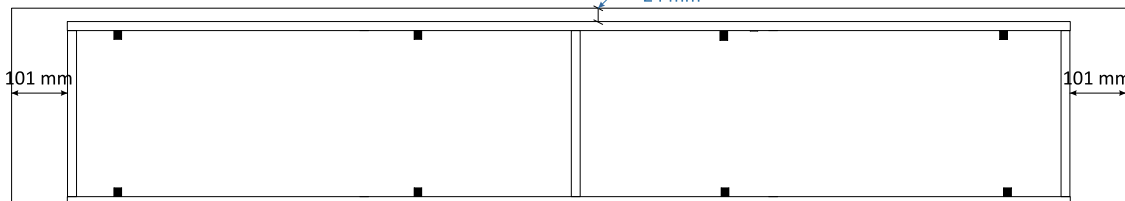
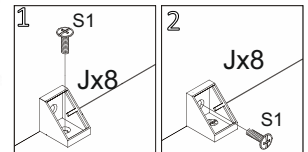
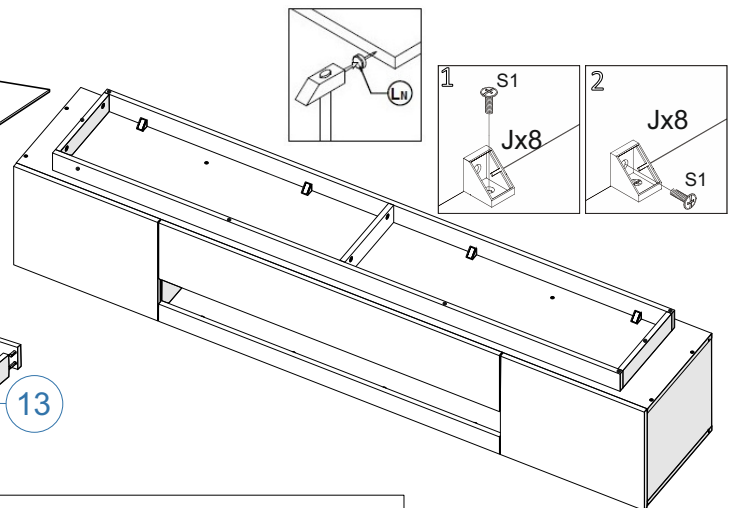
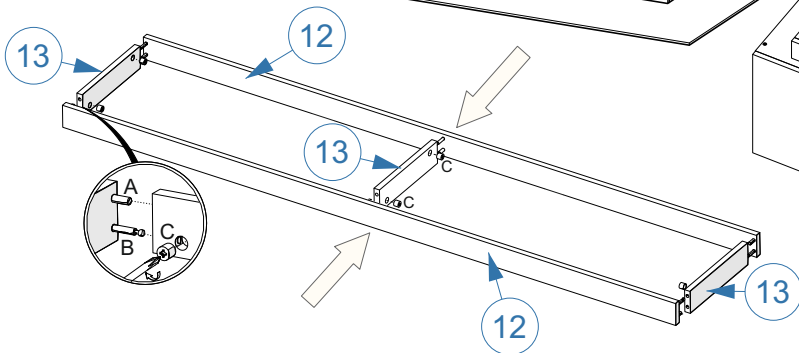


max.  
25 KG



10

A2

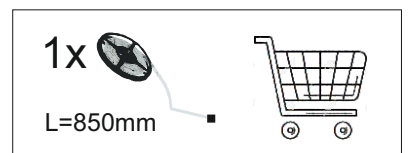
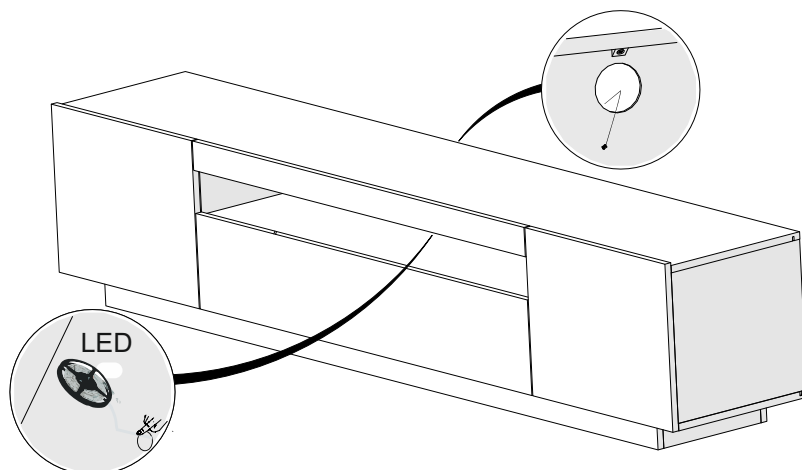


101 mm

101 mm

FRONT → 24 mm

11



1x  
L=850mm

