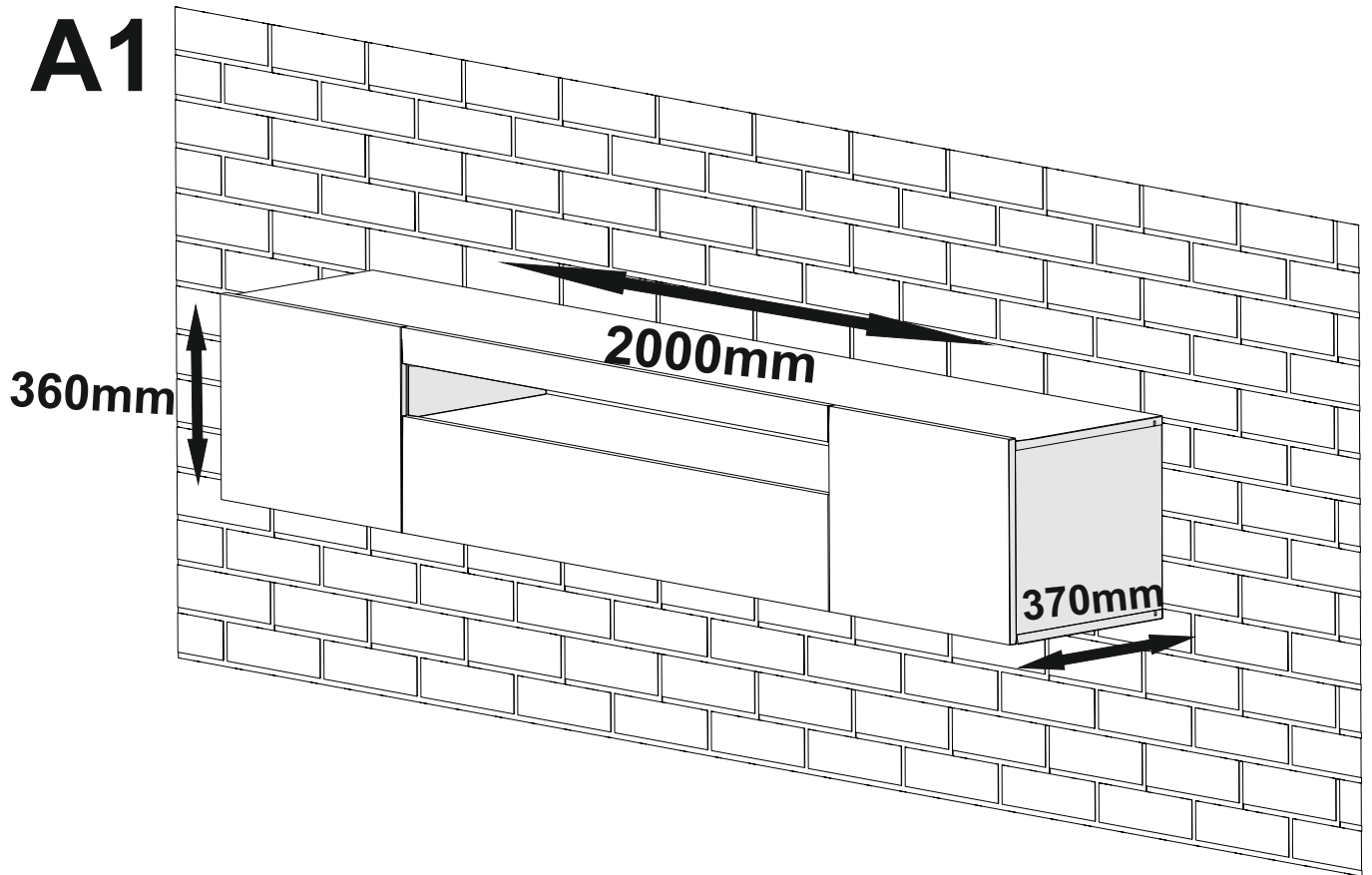


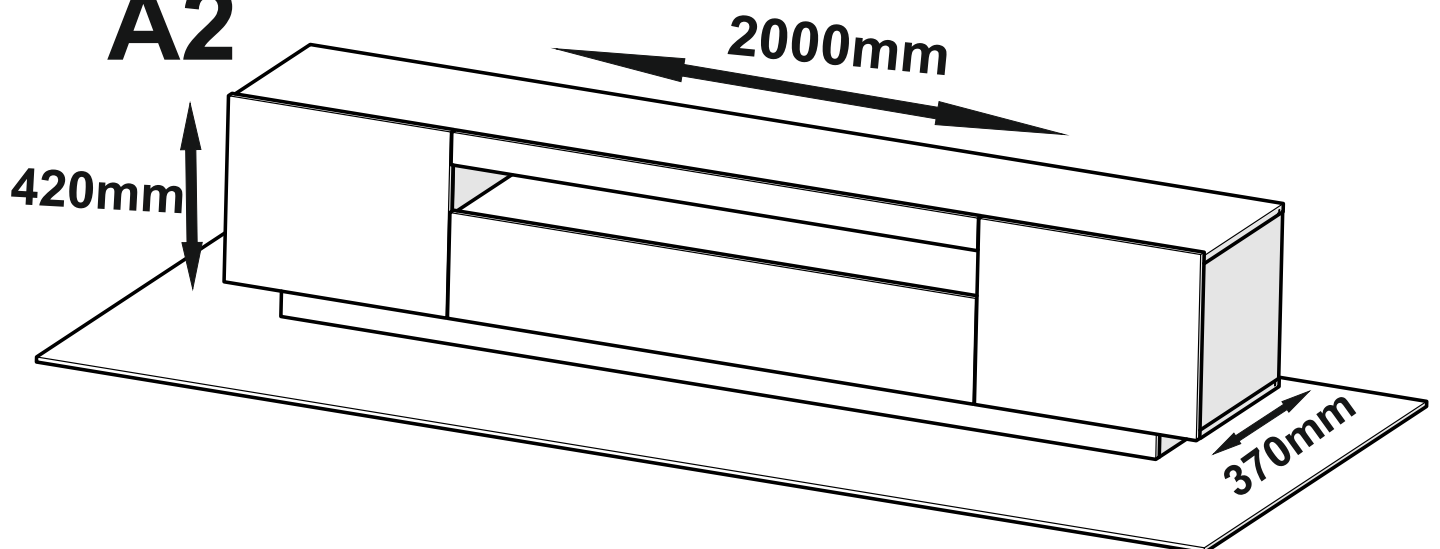
# Model: RTV Aura 200

## Variants:

**A1**



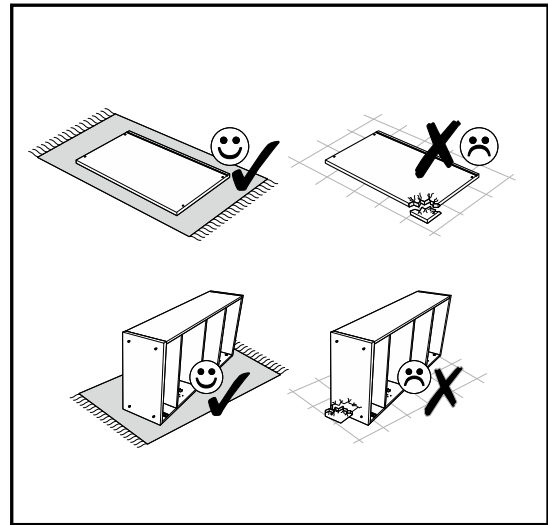
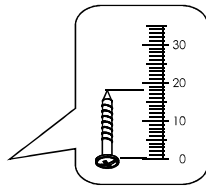
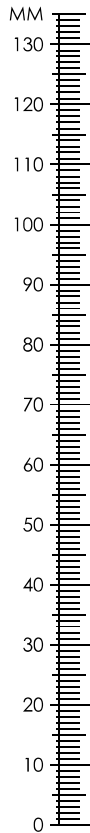
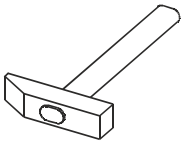
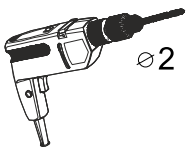
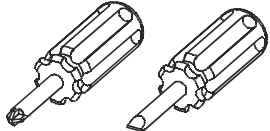
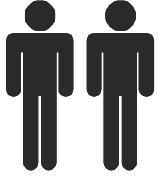
**A2**



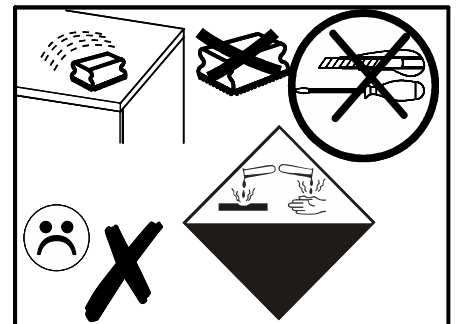
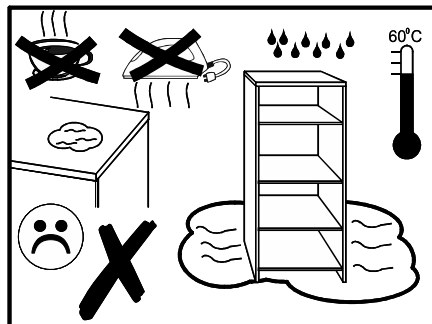
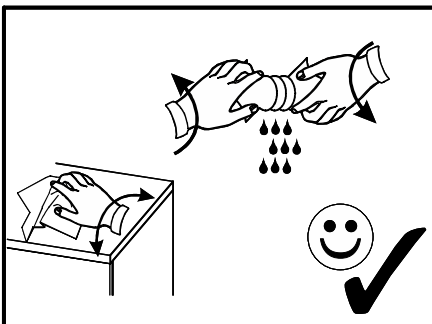
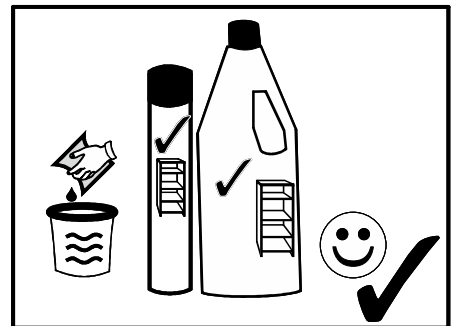
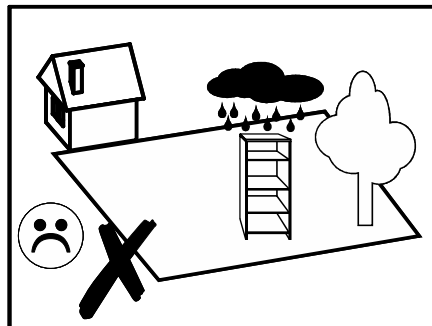
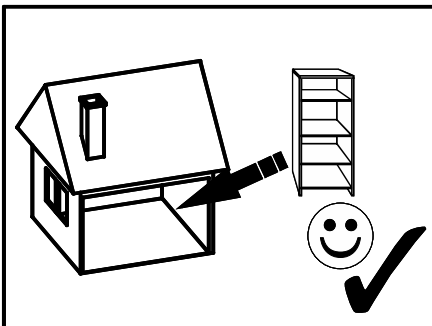
# ASSEMBLY INSTRUCTIONS

**Model: RTV Aura 200**

Use the following for assembly:

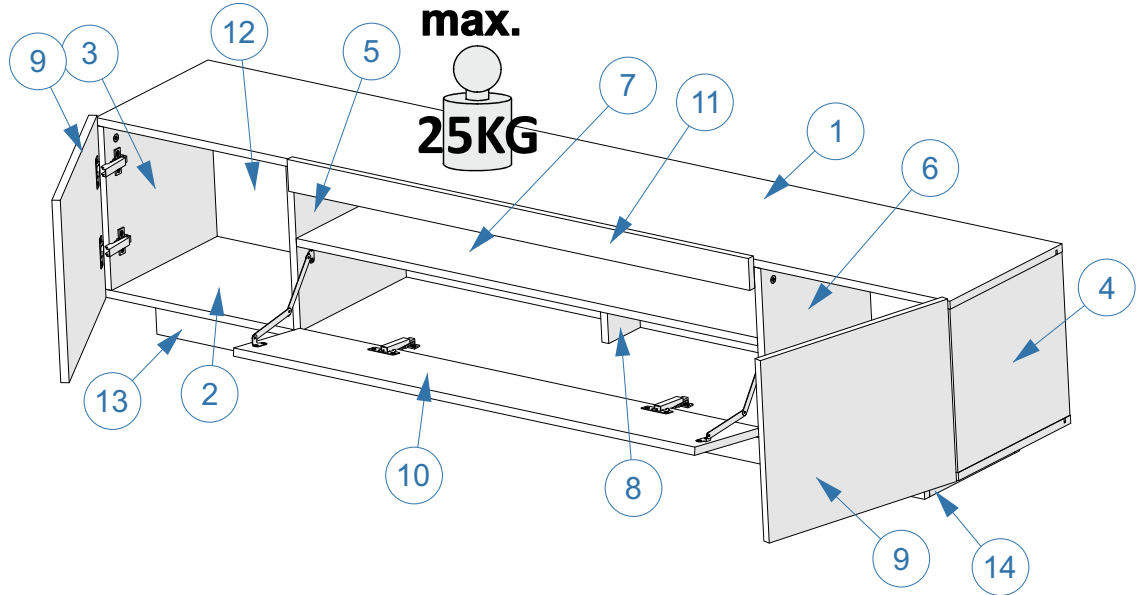
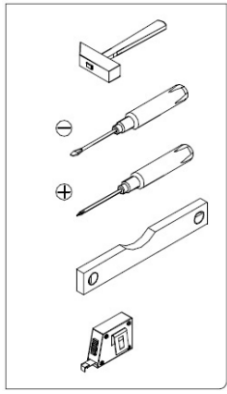


**Before applying the led tape,  
surfaces must be clean / degrease.**



**Care notes!**  
Please wipe with dust cloth or slightly damp rubber.  
Do not use scrubbing or cleaning agents on cabinet.

# Model: RTV Aura 200



## The spare parts

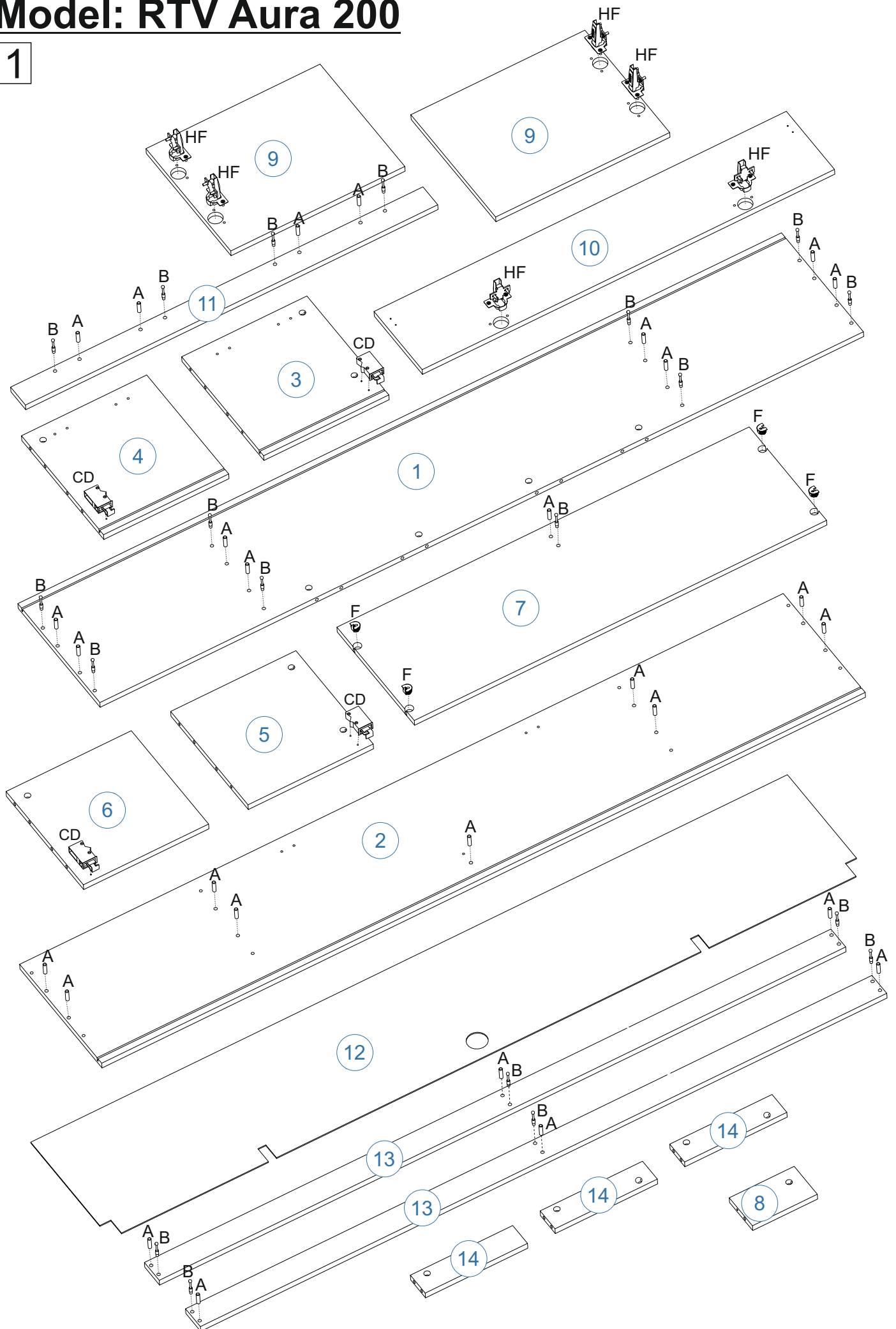
Part number	Lenght	Widht	Q-ty	Detailed number	Part number	Lenght	Widht	Q-ty	Detailed number
Pack 1/2	1080	206	1	10	Pack 2/2	328	354	1	3
	2000	354	1	1		328	354	1	4
	2000	354	1	2		456	366	2	9
	1798	64	2	13		1080	334	1	7
	1982	344	1	12		1080	64	1	11
	Spare parts					328	334	1	5
				328		334	1	6	
				170		100	1	8	
				268		64	3	14	

## General view of the spare parts

A - 29	B - 20	C - 20	D - 31	E - 4	F - 4	I - 1	LN - 10
K - 9	CD - 4	CH - 2	ZS - 2	HF - 6	SH - 12	J - 8	M - 8
							1x  L=850mm
S1 - 44	S2 - 22	S4 - 8	SW - 8	W - 8	AT - 10	R - 12	

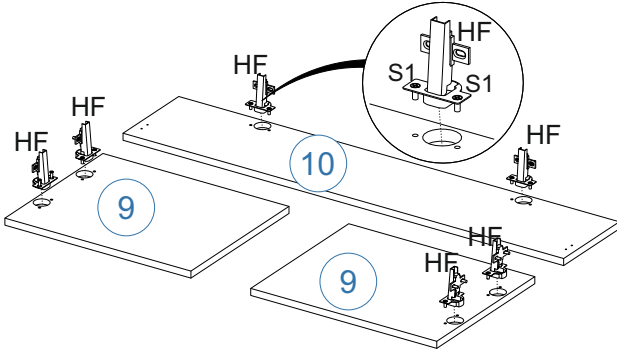
# Model: RTV Aura 200

1

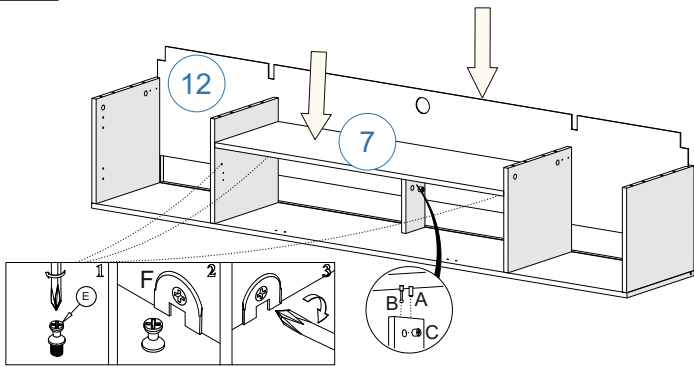


# Model: RTV Aura 200

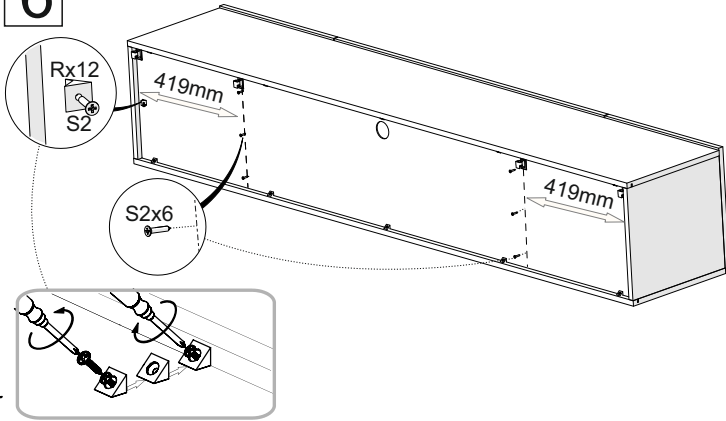
2



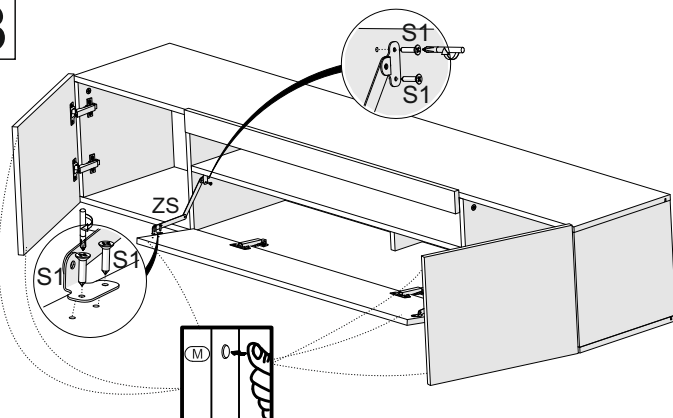
4



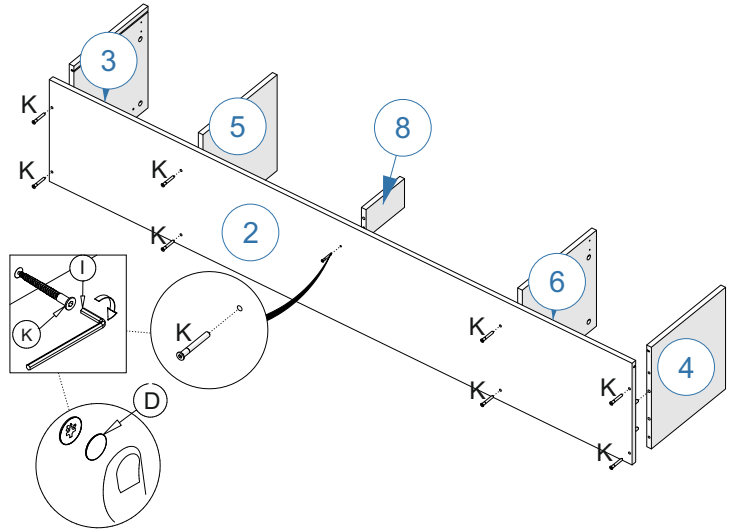
6



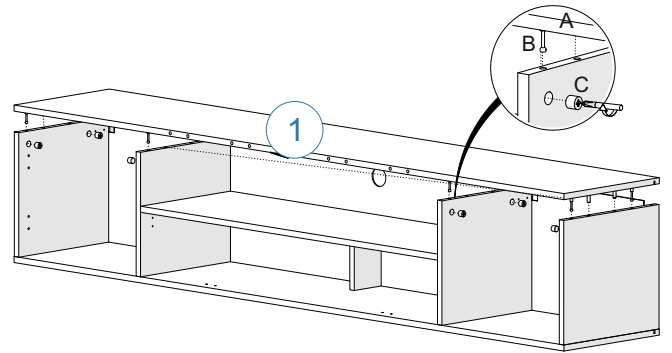
8



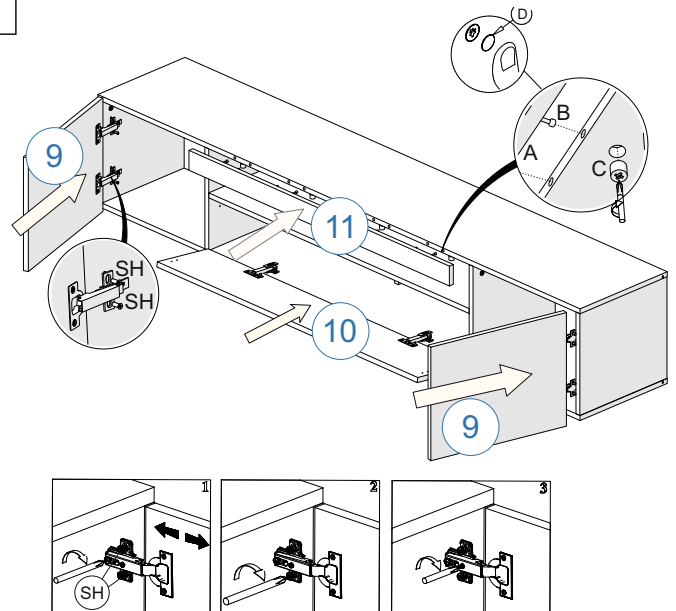
3



5



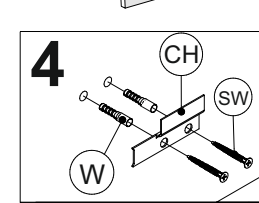
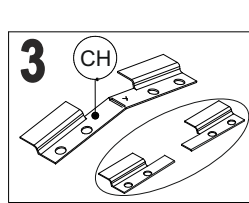
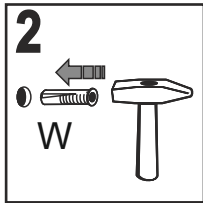
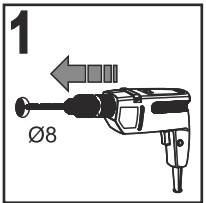
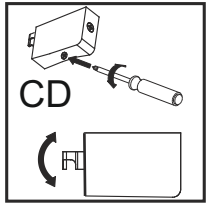
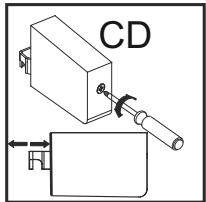
7



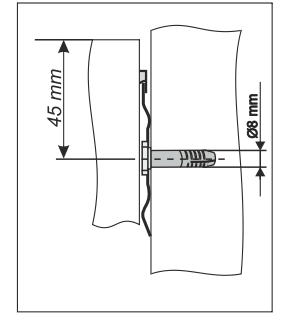
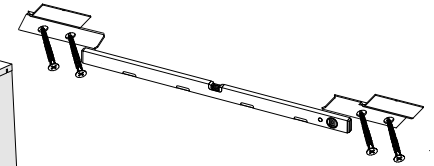
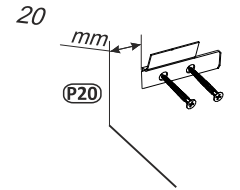
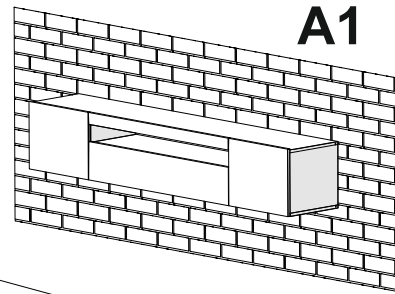
# Model: RTV Aura 200

A1

9

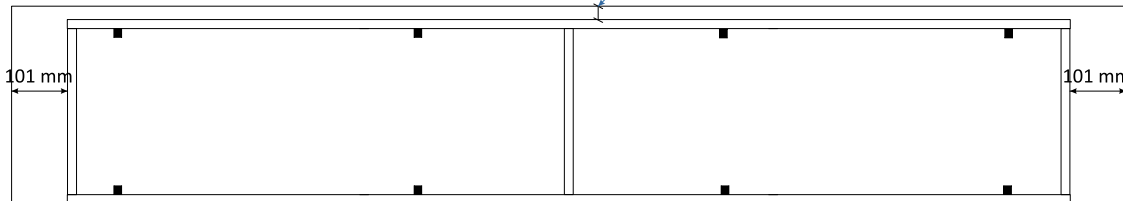
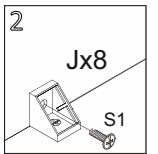
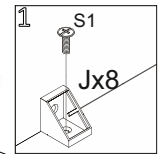
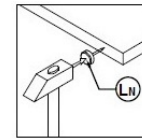
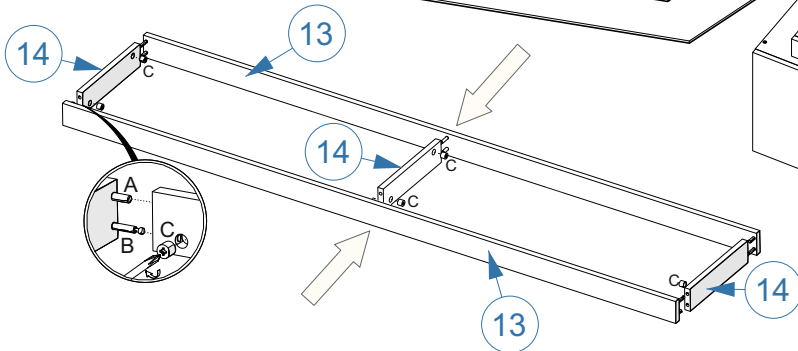
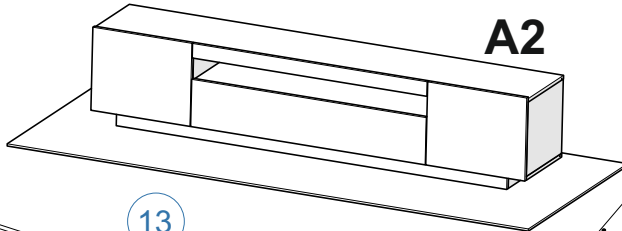


max.  
25KG



10

A2



11

