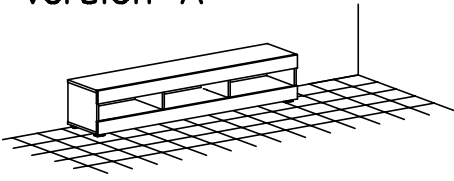
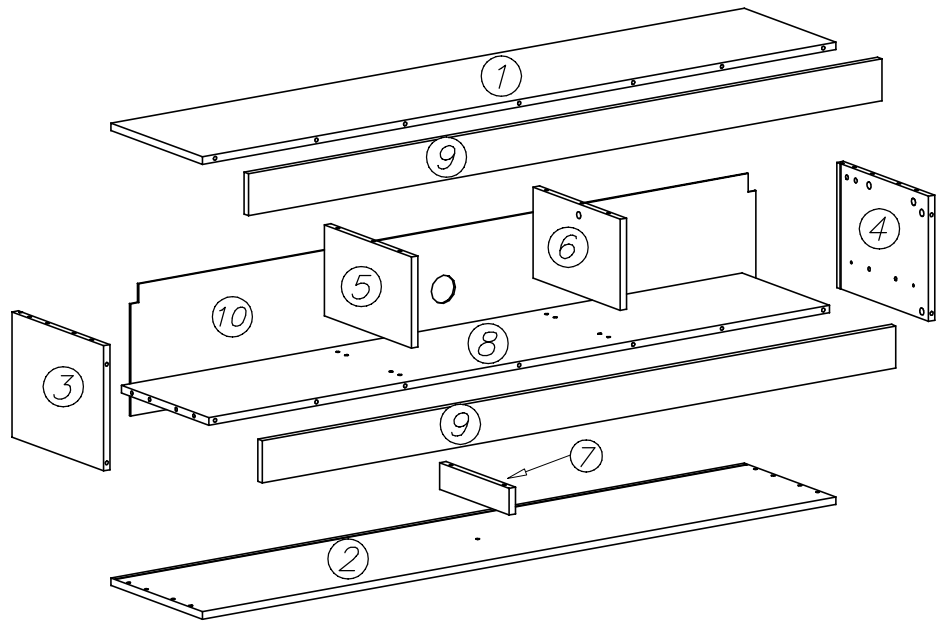
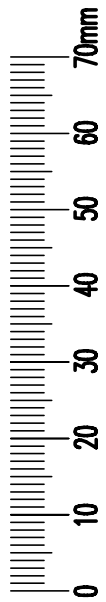
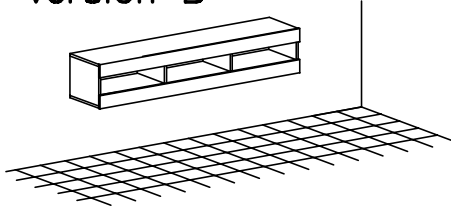


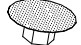

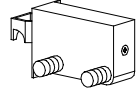
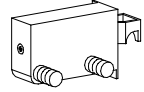
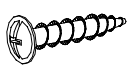
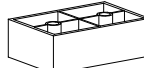





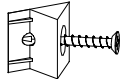
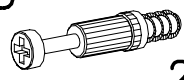
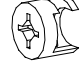
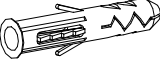
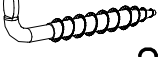

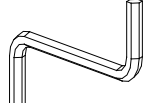

# MANTA

version A

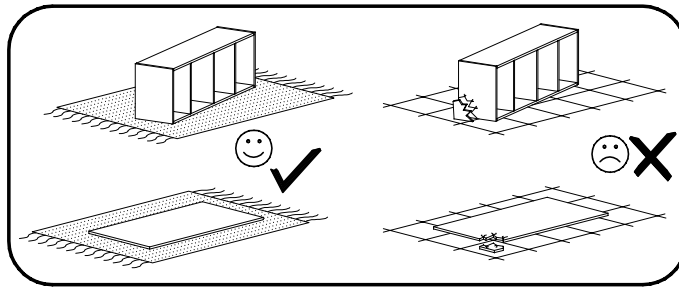


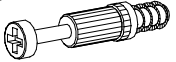


version B

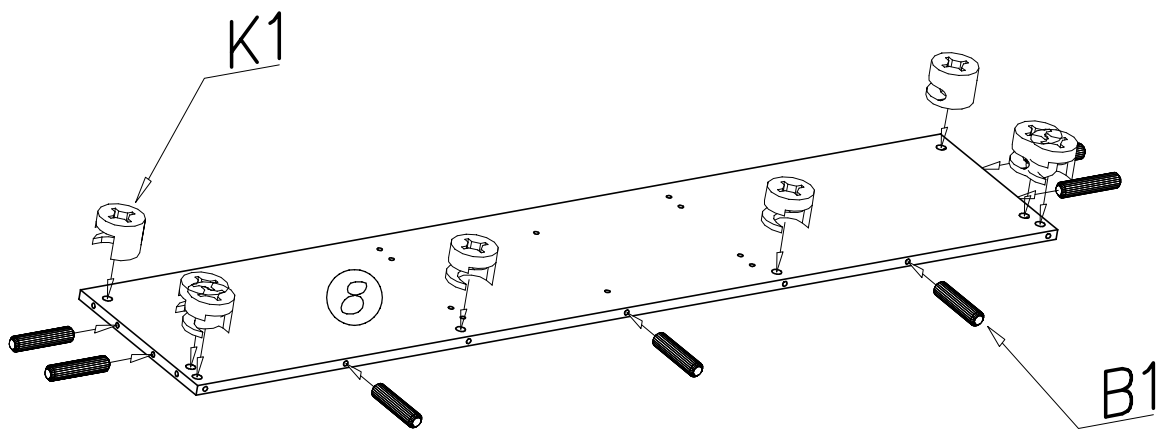
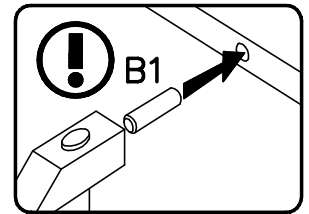
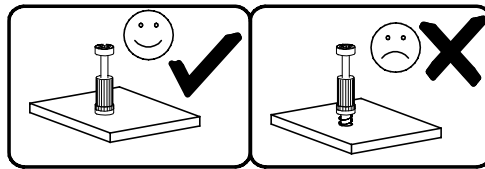
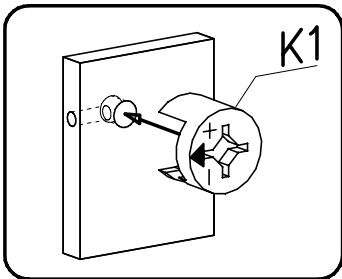
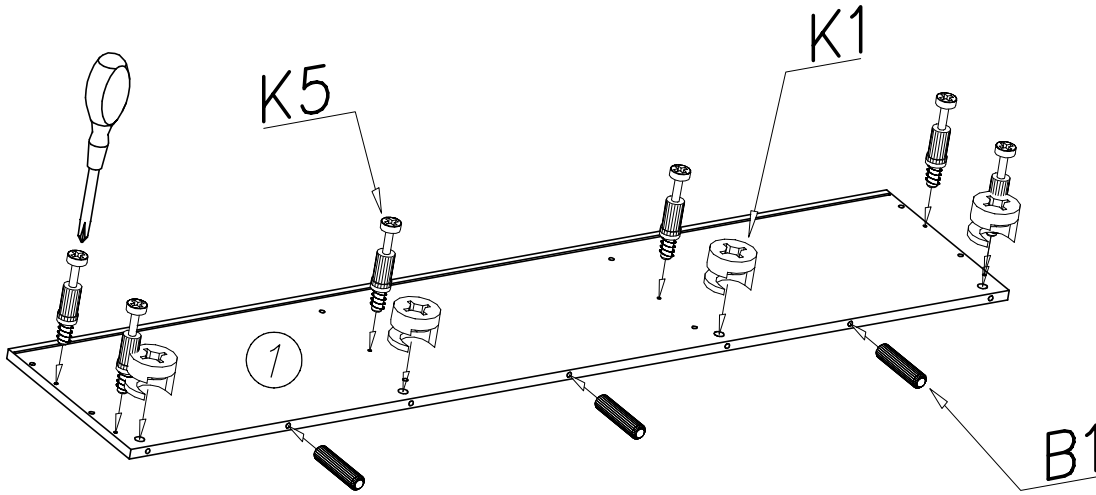


	I9b ø12 4x 	I9a ø12 4x 	U9L 1x 	U9R 1x 
G39 4x20 10x 	P15 5x 	I7b ø18 12x 	I7a ø18 12x 	B1 ø8x30 29x 
I11a ø60 1x 	I11b ø60 1x 	I1 22x 	K5 22x 	K1 ø15x12 22x 
U8 ø10x50 2x 	U7S 2x 	A1 ø7x50 8x 	W2 4mm 1x 	G22 3x16 13x 

1



K5		6x
K1		12x
	Ø15x12	
B1		10x
	Ø8x30	



# 2

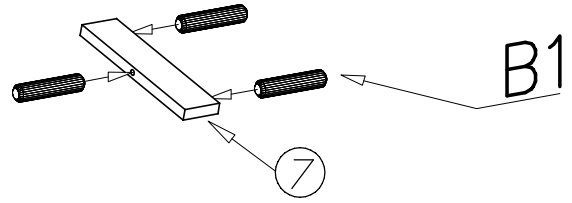
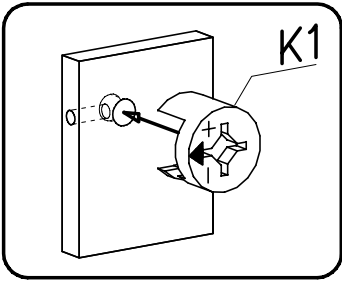
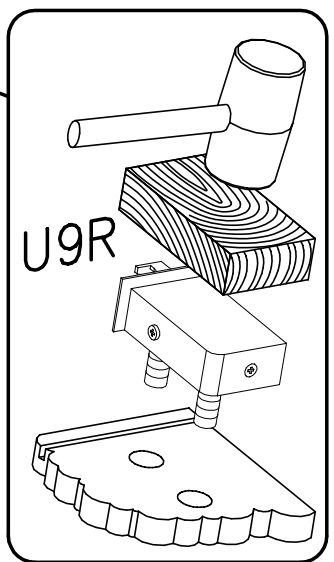
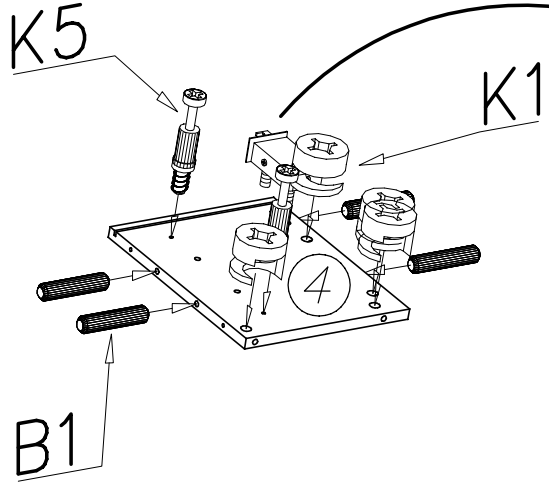
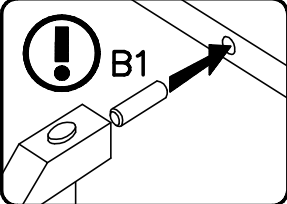
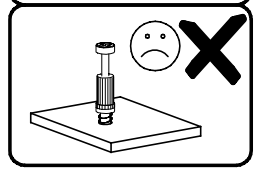
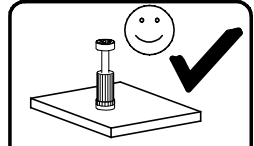
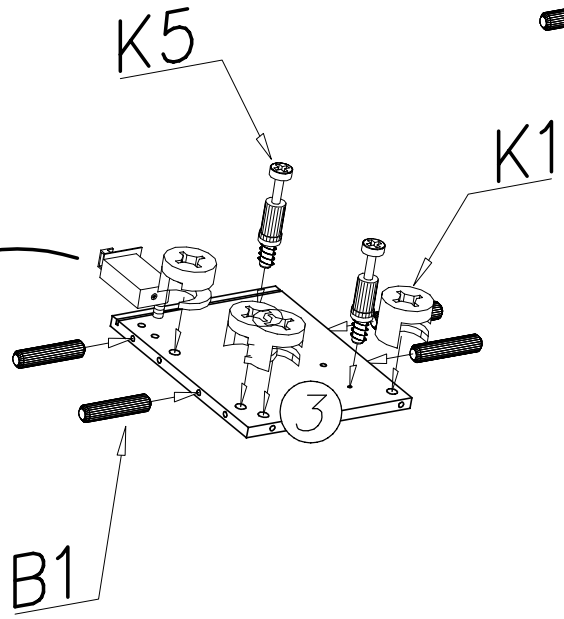
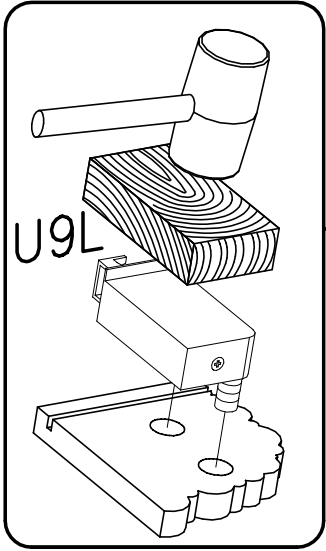
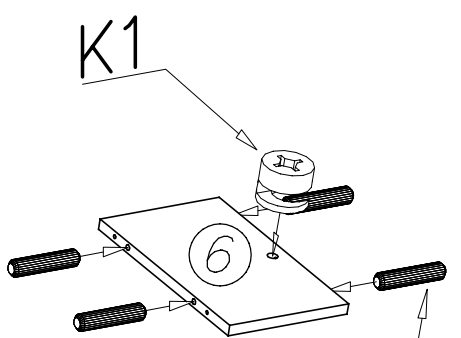
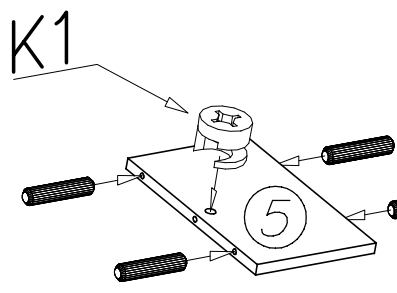
K1  
ø15x12 10x

K5  
4x

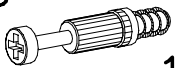
U9L 1x

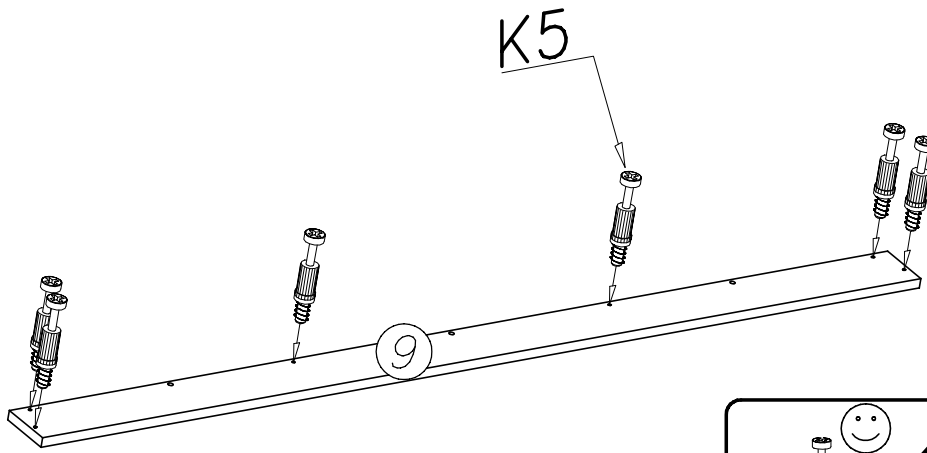
U9R 1x

B1  
ø8x30 19x

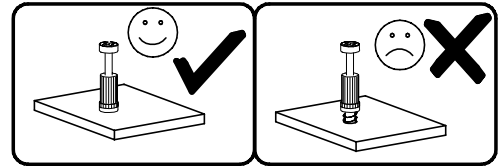


3

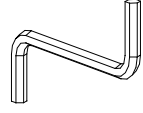

K5  12x

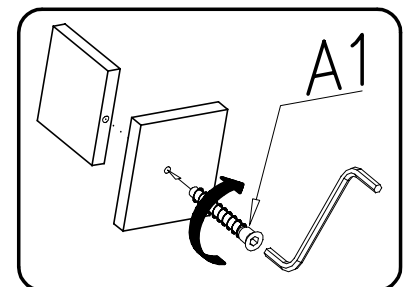
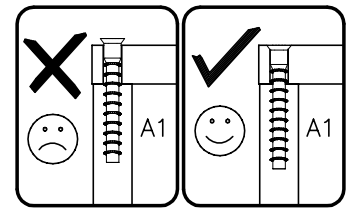
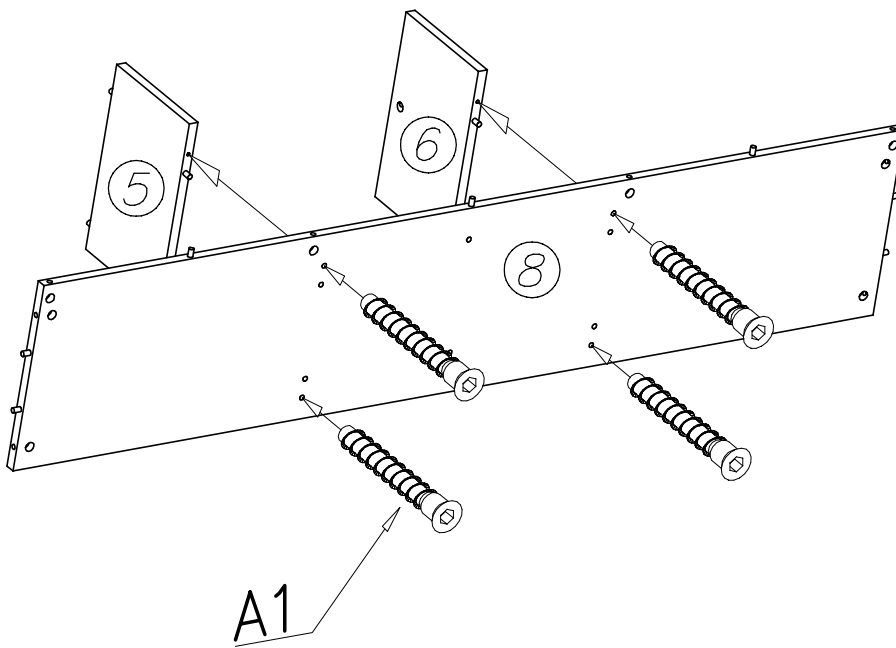


2x

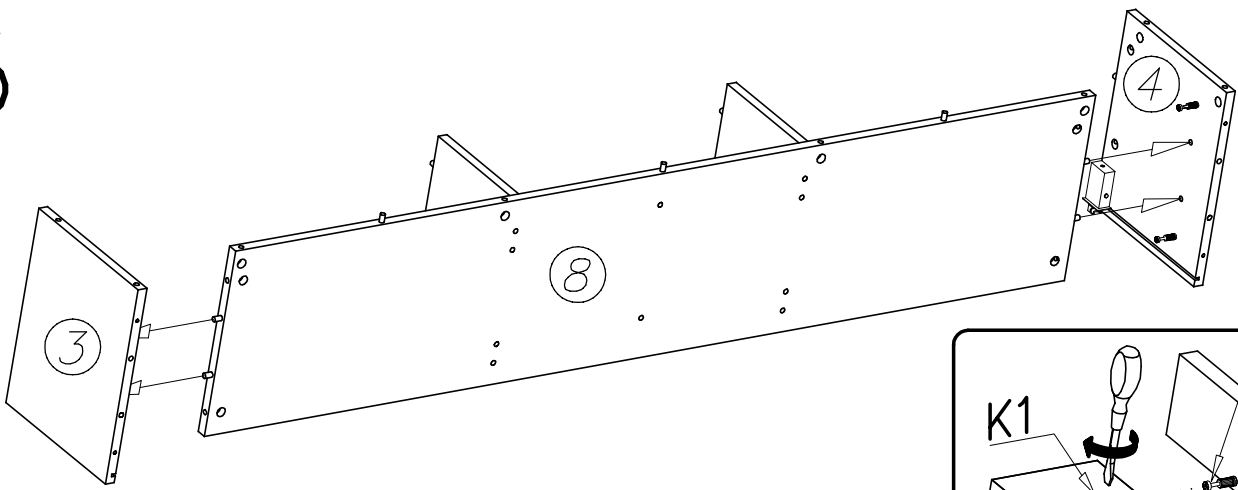


4

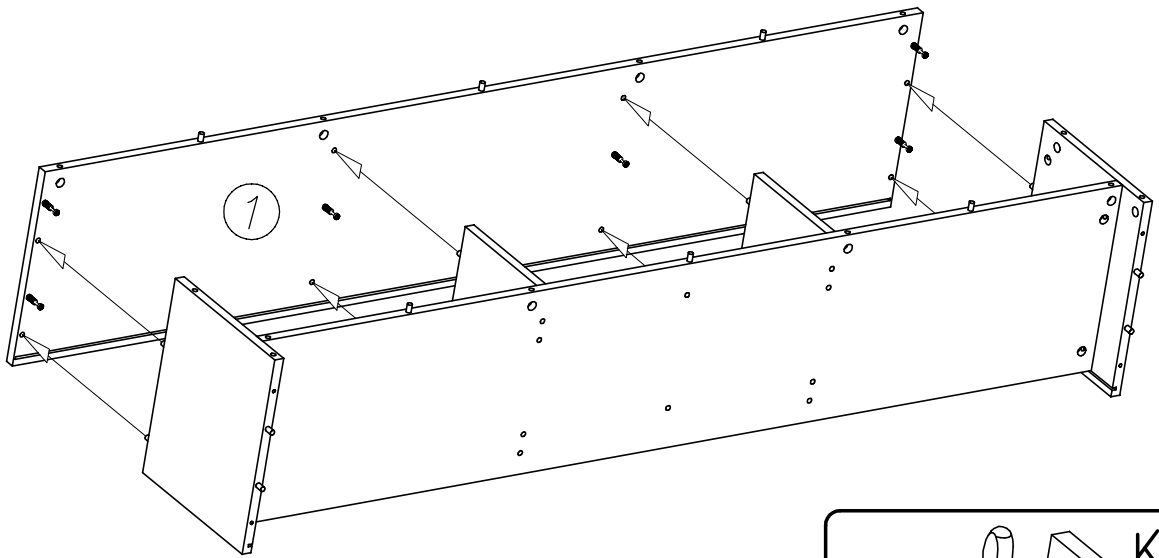
W2  4mm 1x A1  ø7x50 4x



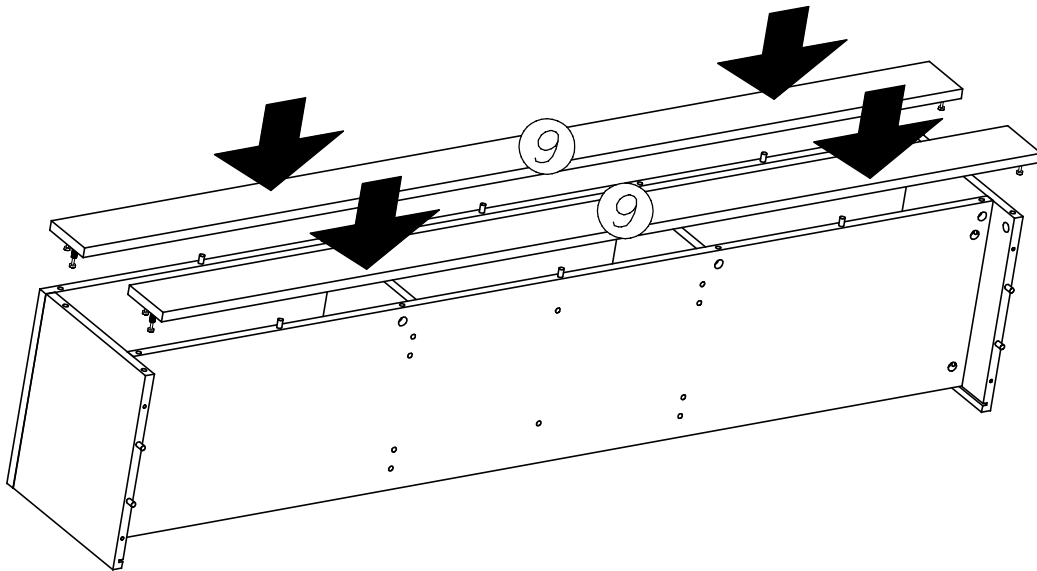
5



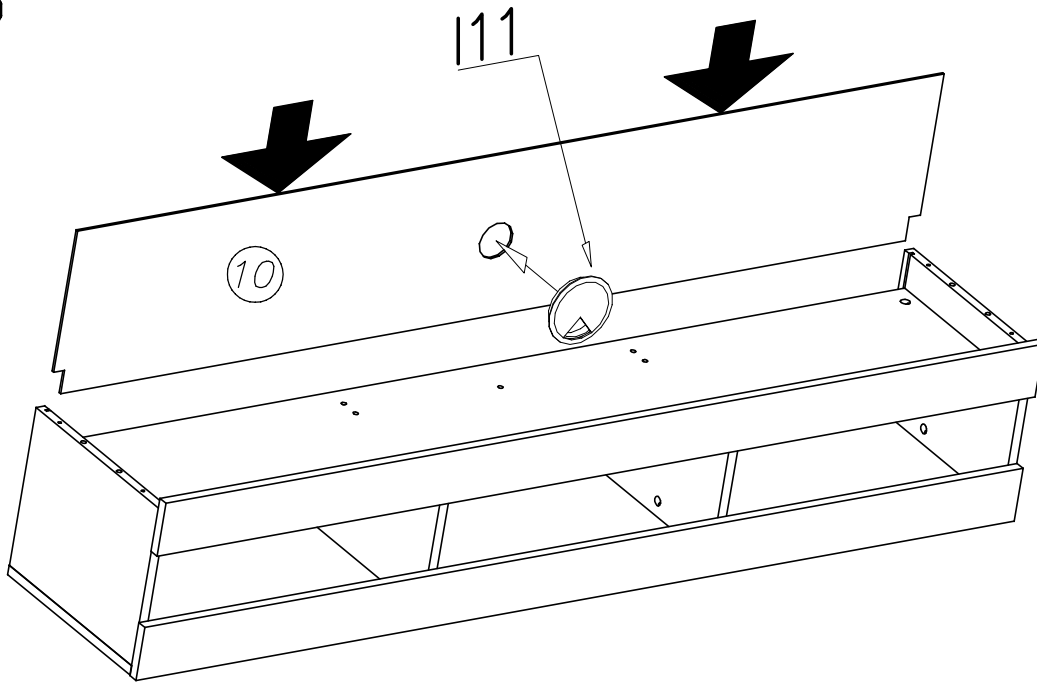
6



7

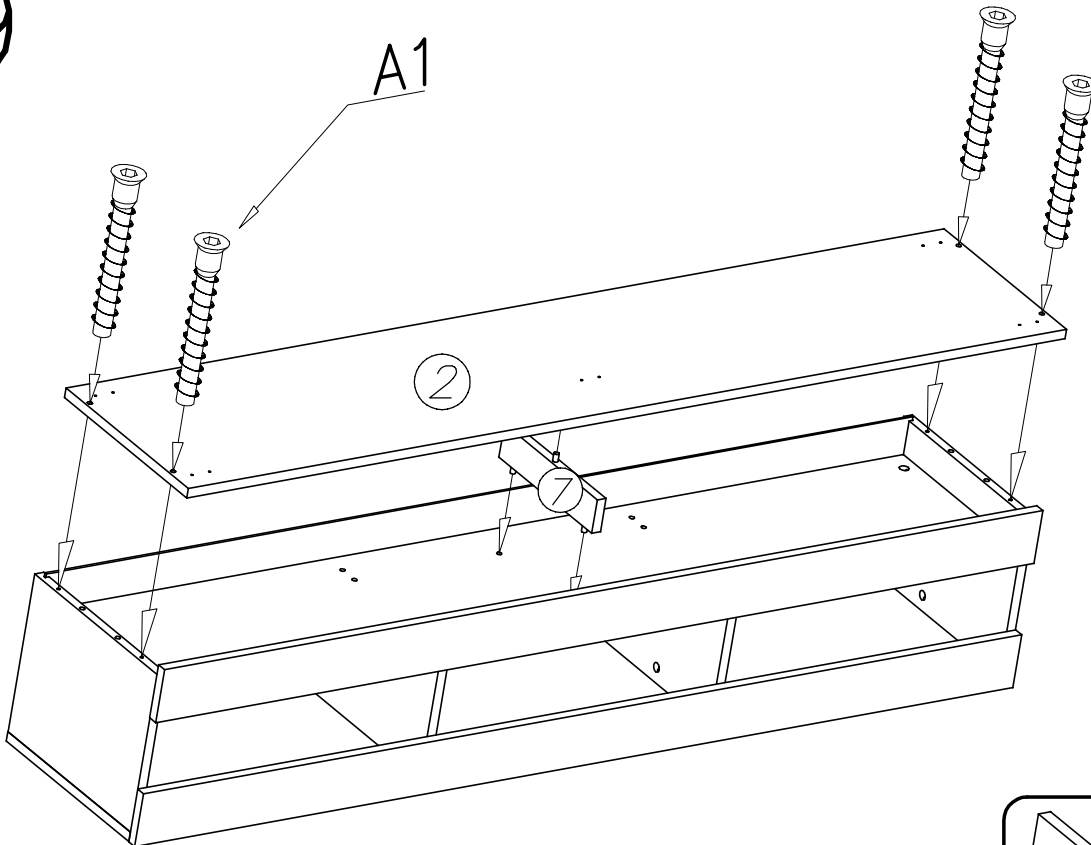


8

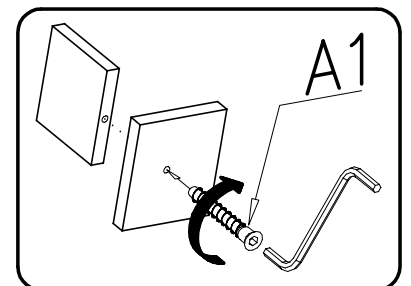


- l11b  
ø60 1x
- l11a  
ø60 1x

9



- W2  
4mm 1x
- A1  
ø7x50 4x



# 10

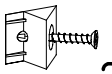
G22



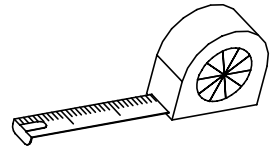
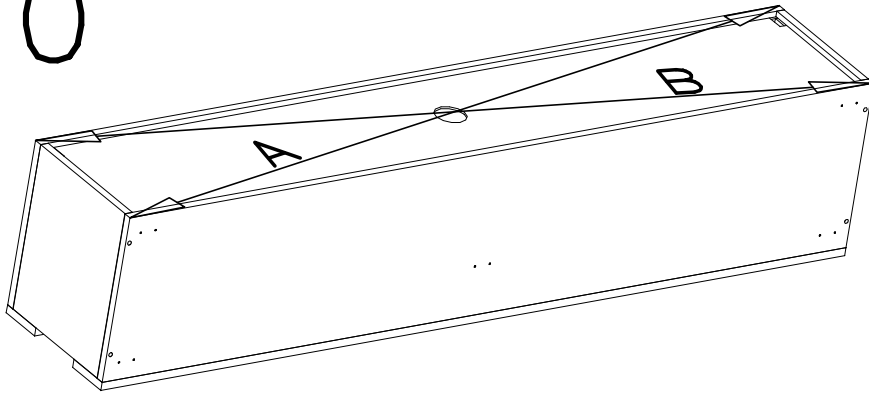
3x16

13x

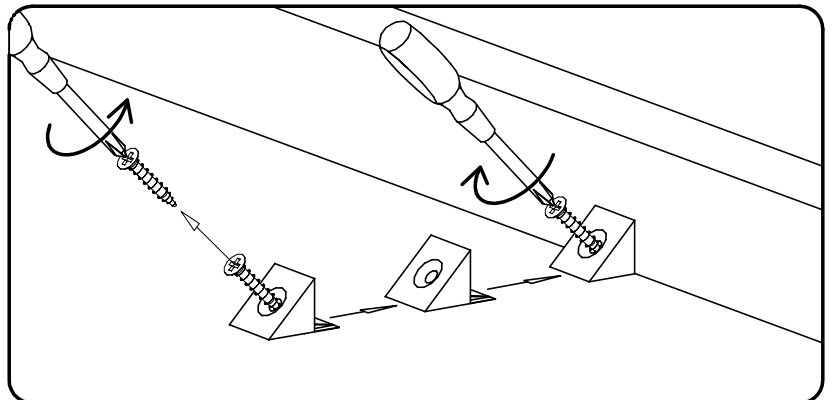
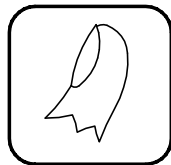
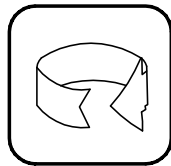
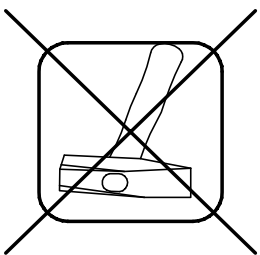
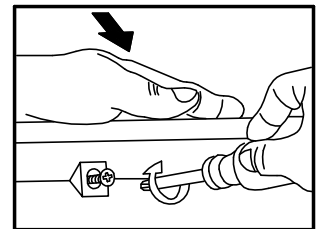
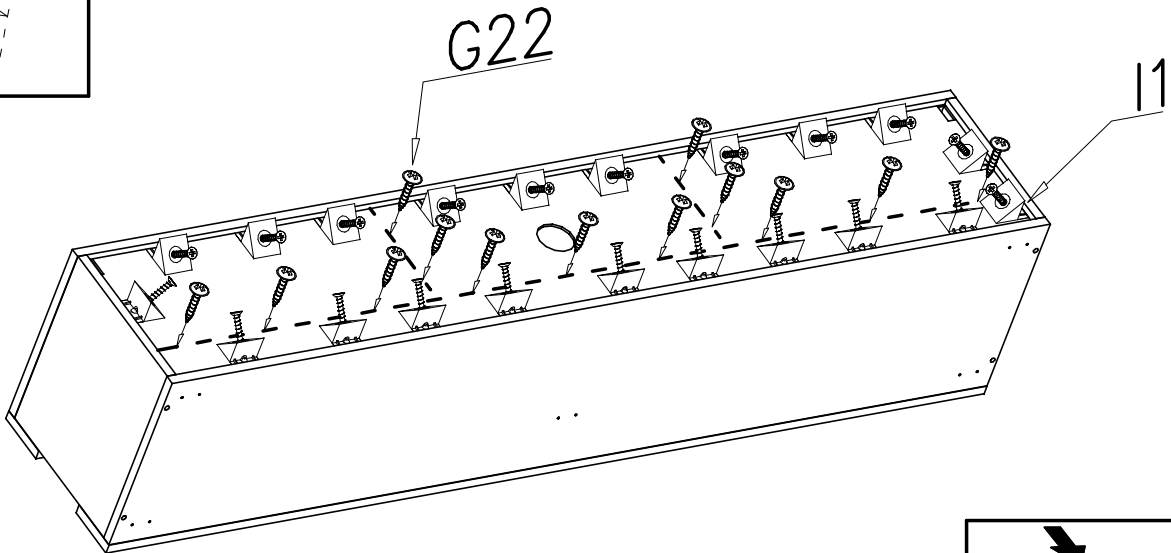
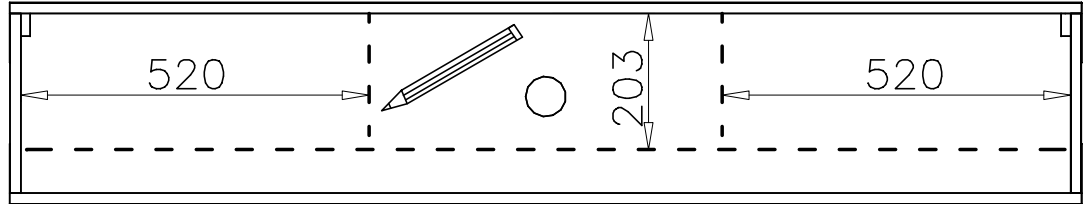
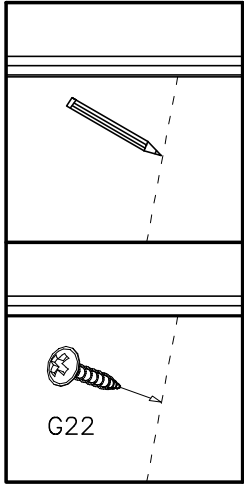
I1



22x

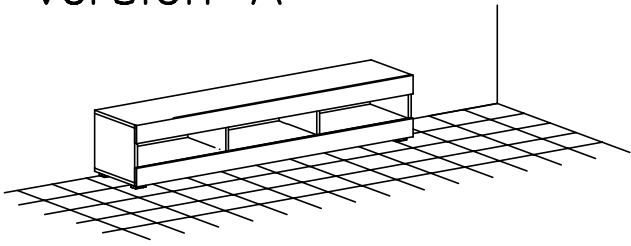



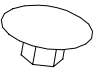

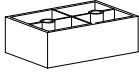
A=B

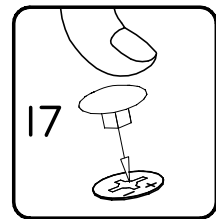
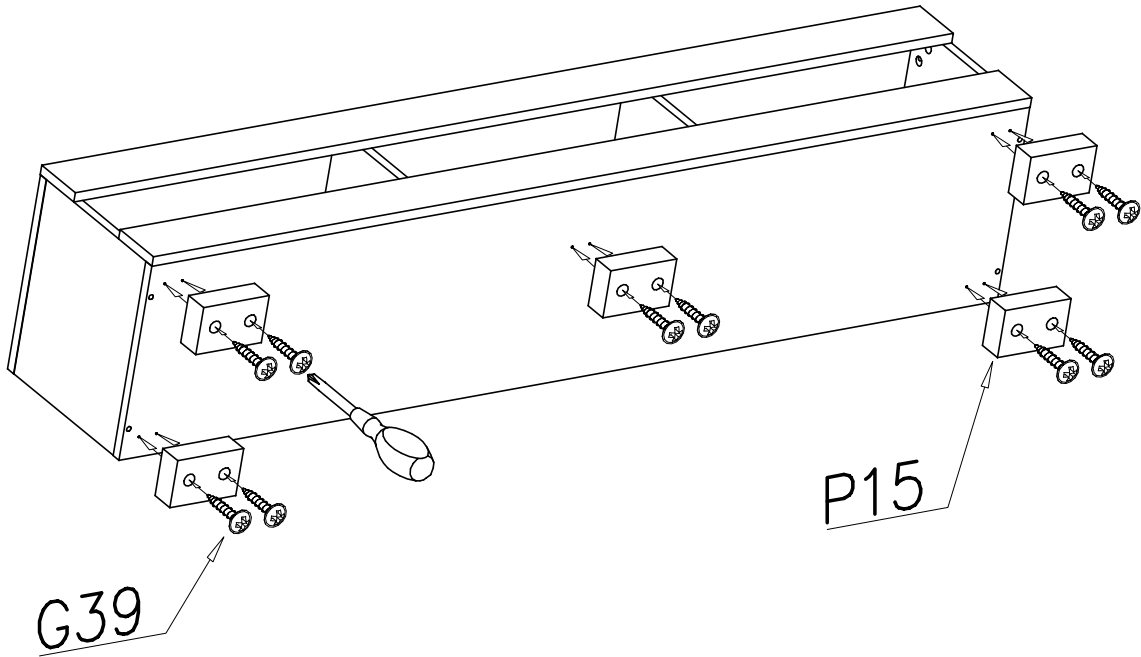


# 11

version A

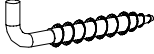
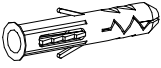


l7b ø18 12x		l7a ø18 12x	
G39 4x20 10x		P15 5x	

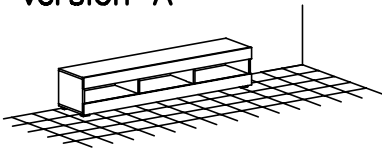




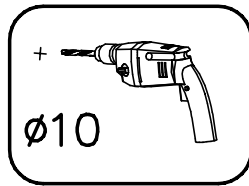
# 12

U7S 2x  U8 2x   $\phi 10 \times 50$

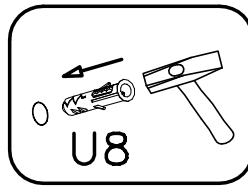
version A



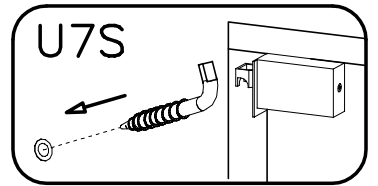
1



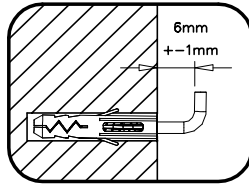
2



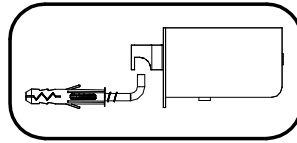
3



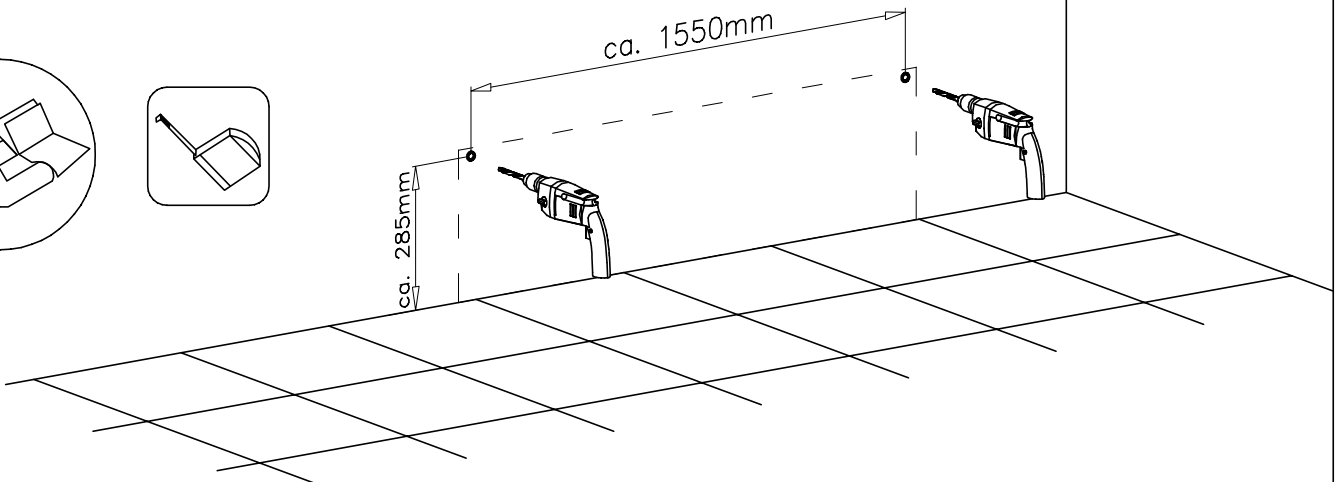
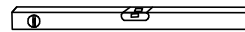
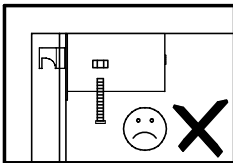
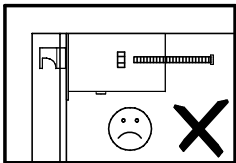
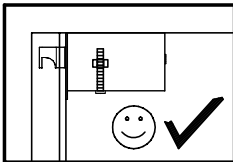
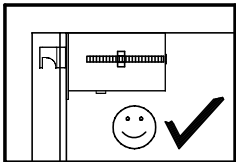
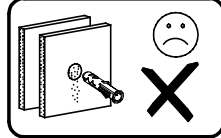
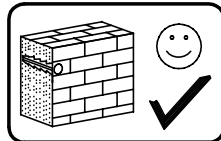
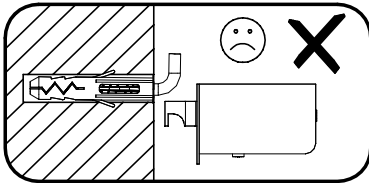
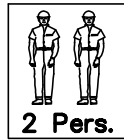
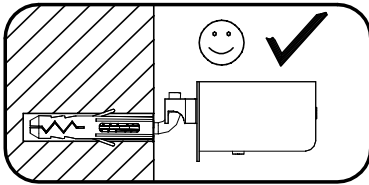
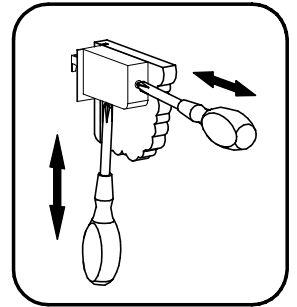
4



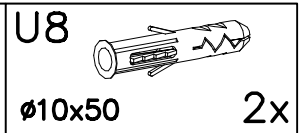
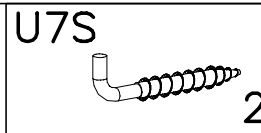
5



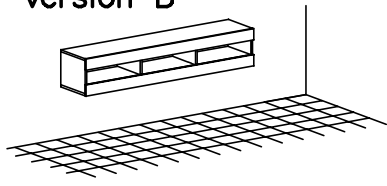
6



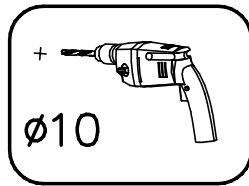
# 13



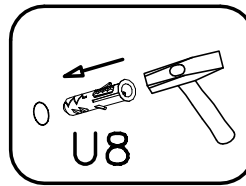
version B



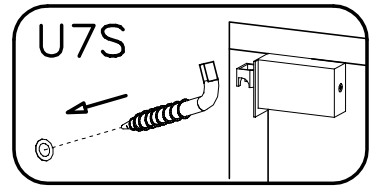
1



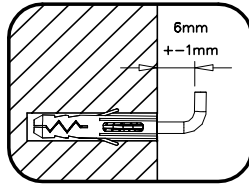
2



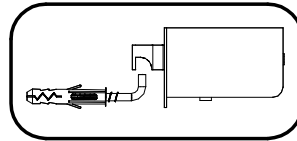
3



4



5



6

