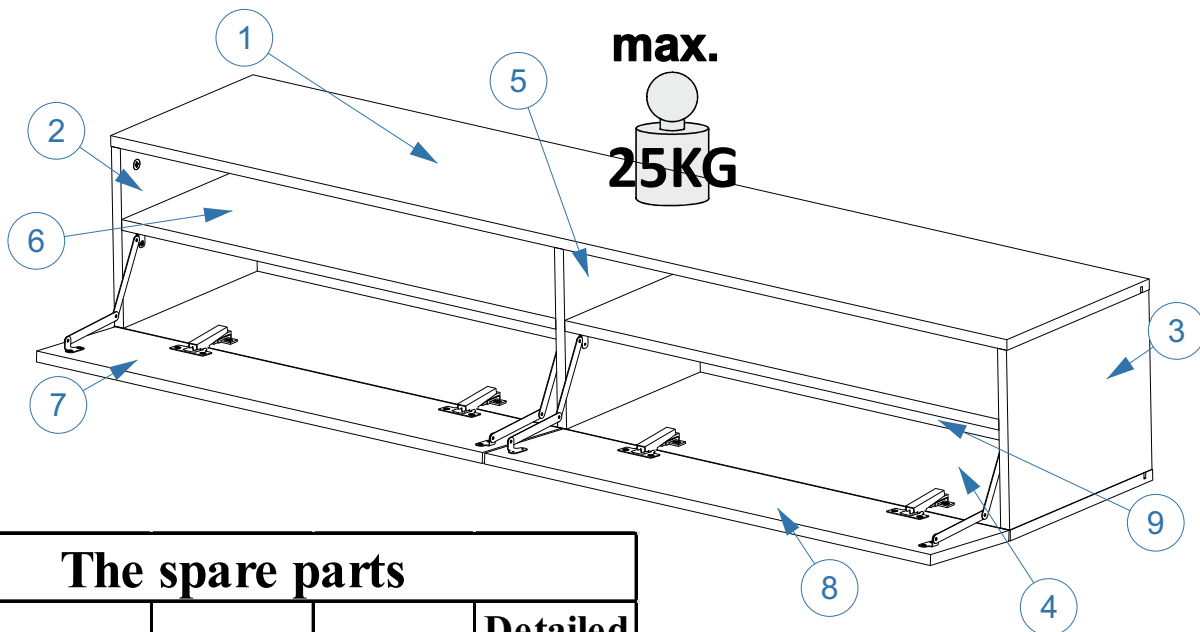
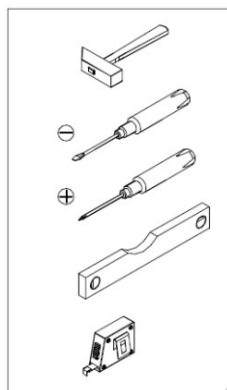


Model: RTV Duo 160



The spare parts

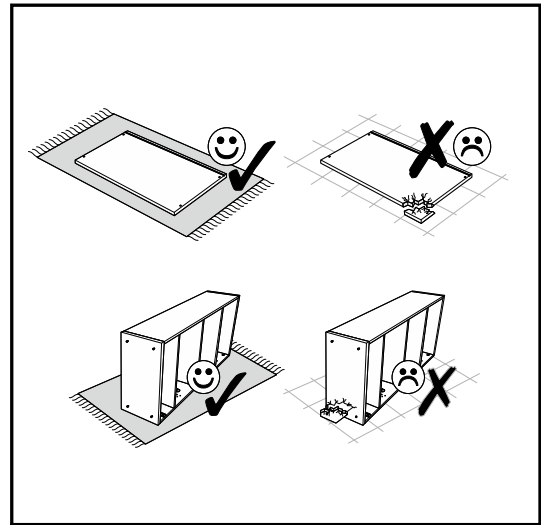
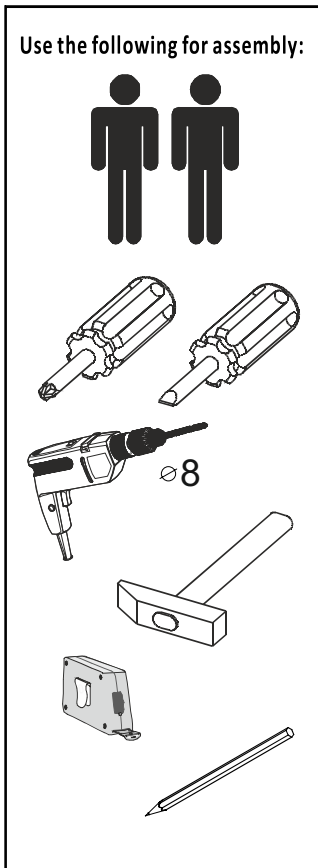
Part number	Lenght	Widht	Q-ty	Detailed number
Pack 1	1600	330	1	1
	1600	330	1	4
	268	330	1	2
	268	330	1	3
	268	310	1	5
	775	310	2	6
	797	182	1	7
	797	182	1	8
	1582	284	1	9
	Spare parts			

General view of the spare parts

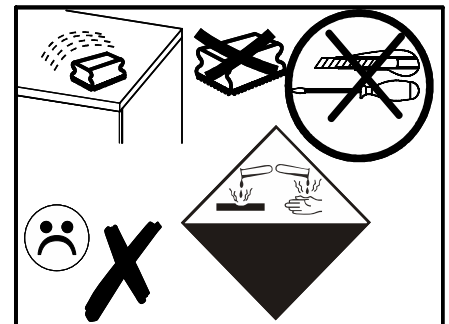
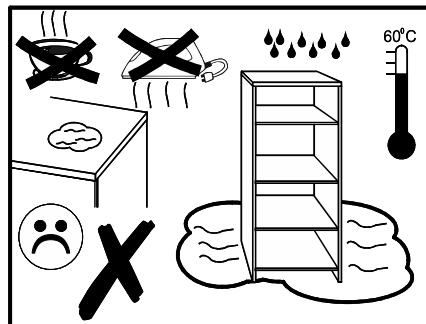
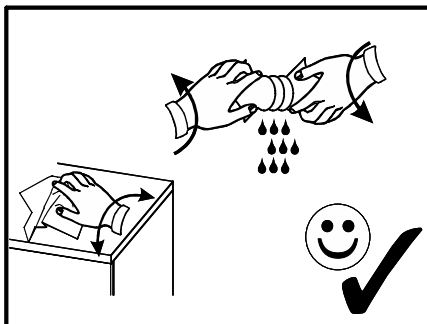
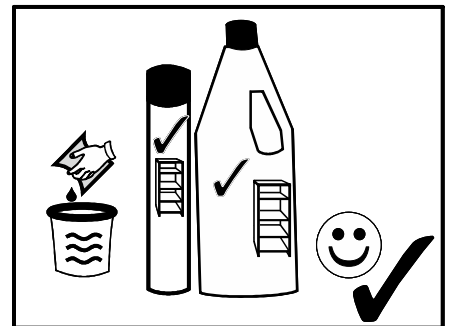
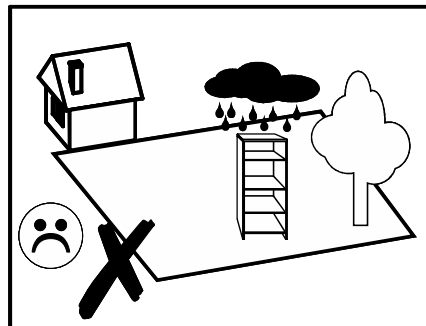
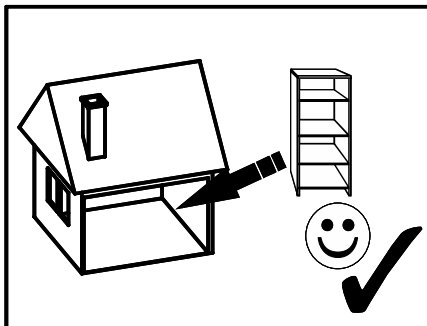
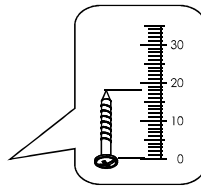
A - 12	B - 6	C - 6	D - 12	F - 8	E - 8	ZS - 4
S1 - 24	S2 - 15	S4 - 6	I - 1	HF - 4	SH - 8	R - 12
K - 6	CD - 3	CH - 2	SW - 6	W - 6	M - 4	

ASSEMBLY INSTRUCTIONS

Model: RTV Duo 160



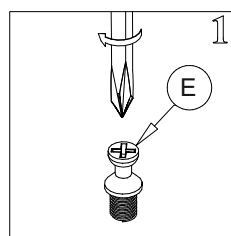
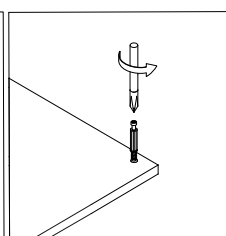
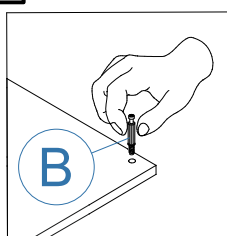
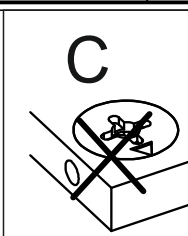
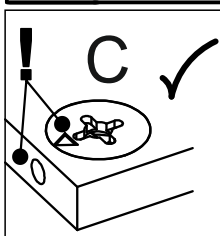
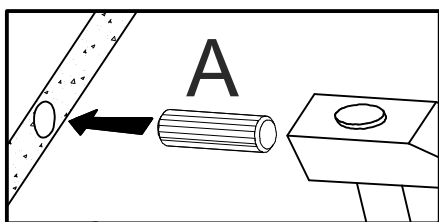
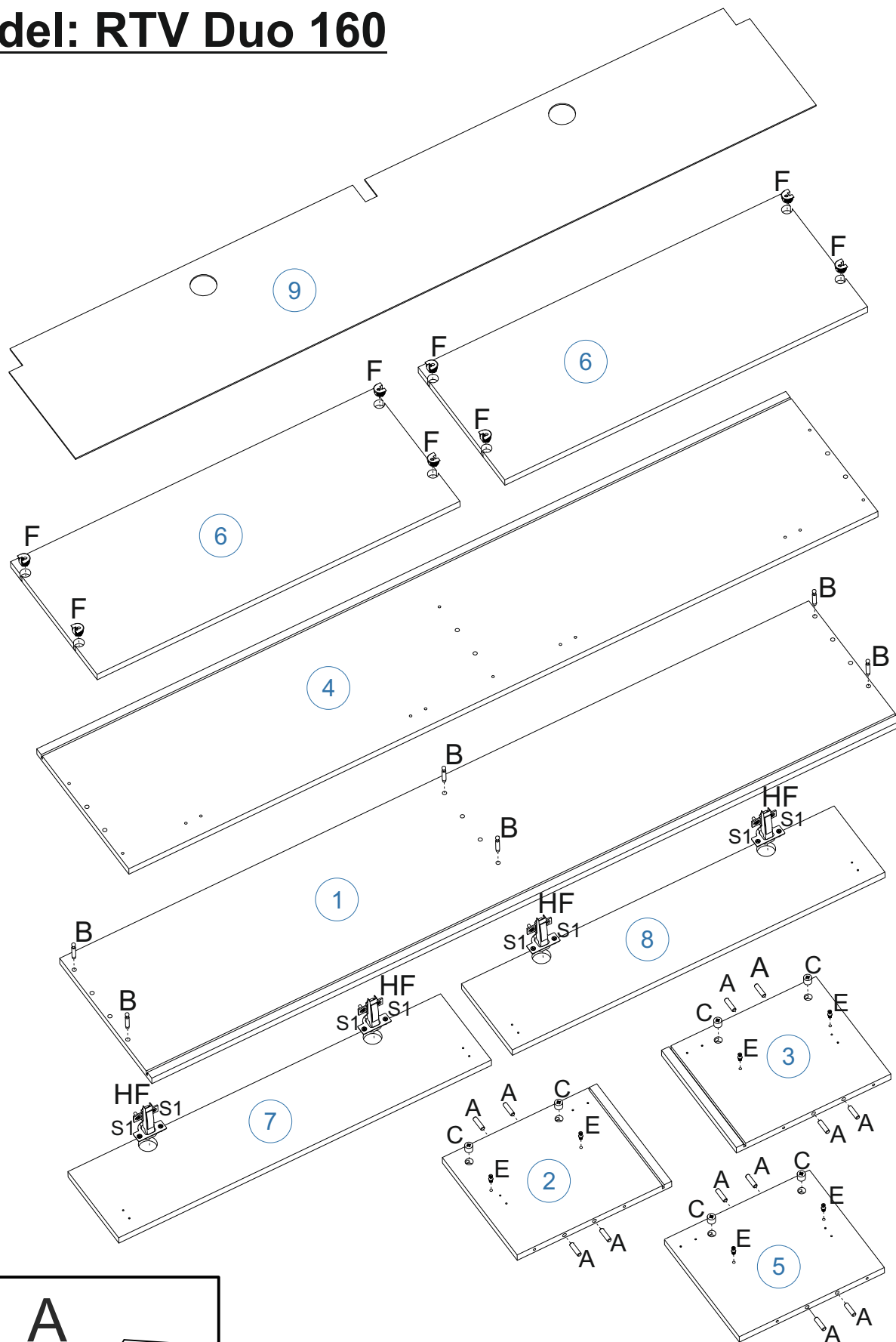
**Before applying the led tape,
surfaces must be clean / degrease.**



Care notes!
Please wipe with dust cloth or slightly damp rubber.
Do not use scrubbing or cleaning agents on cabinet.

Model: RTV Duo 160

1



Model: RTV Duo 160

