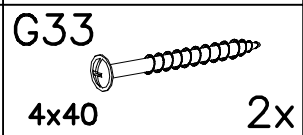
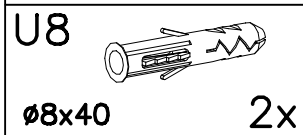
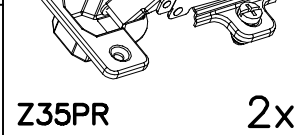
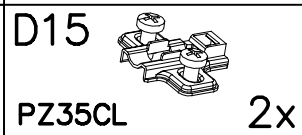
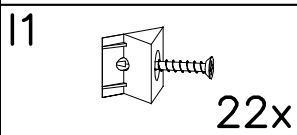
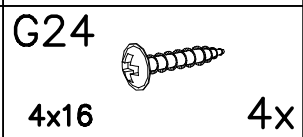
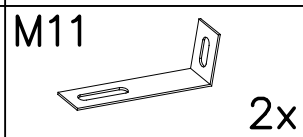
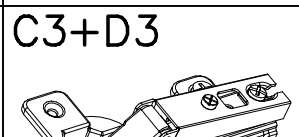
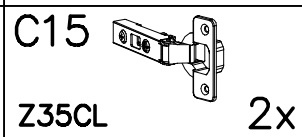
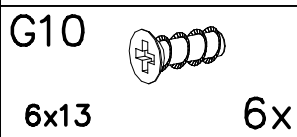
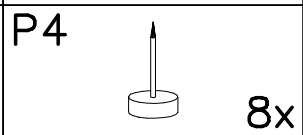
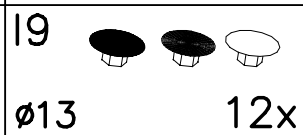
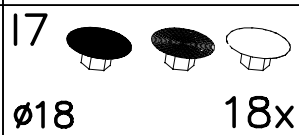
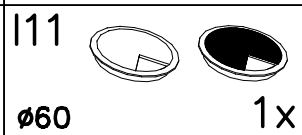
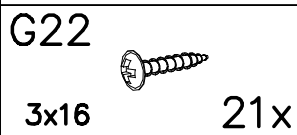
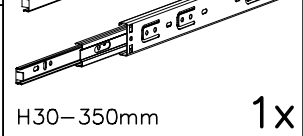
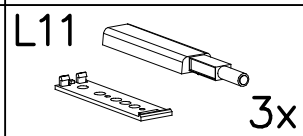
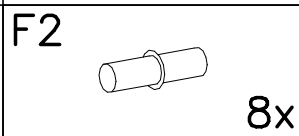
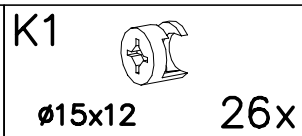
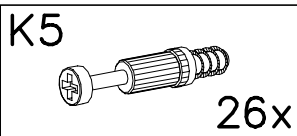
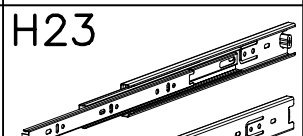
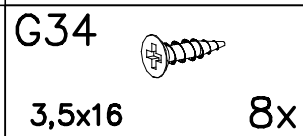
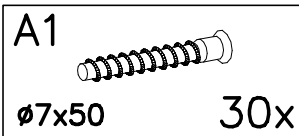
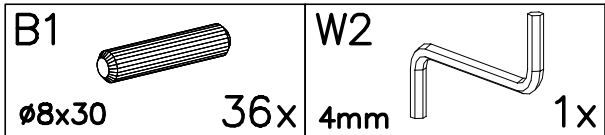
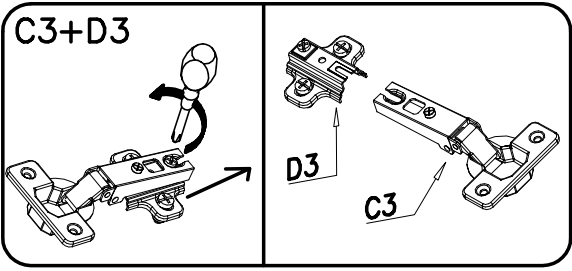
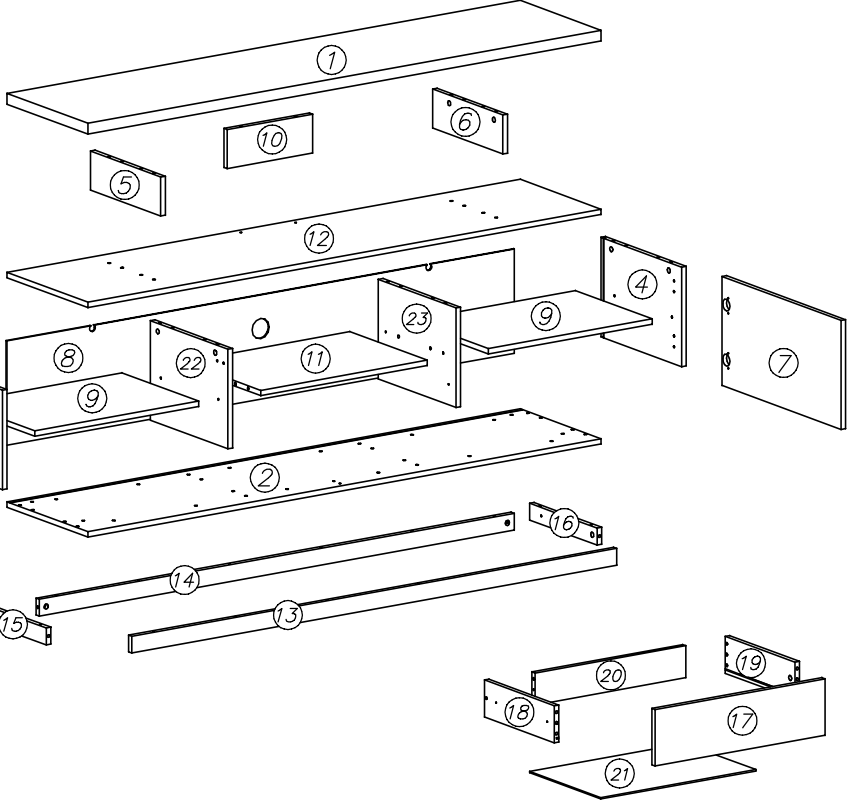
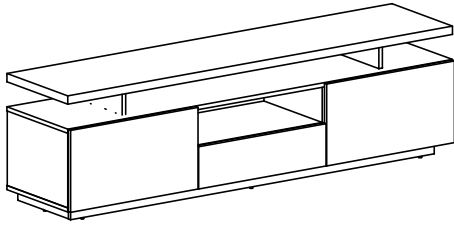
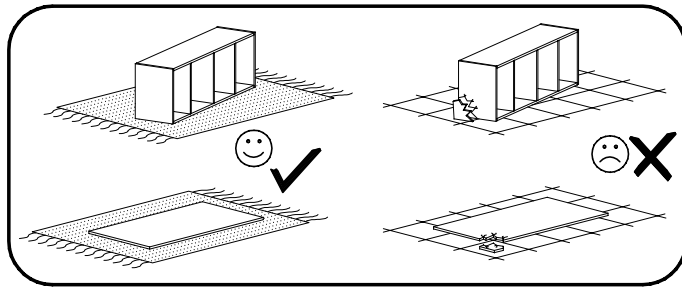
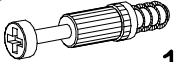
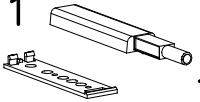



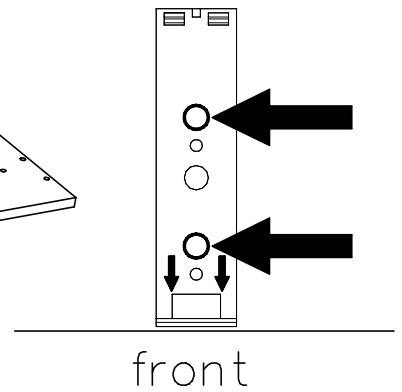
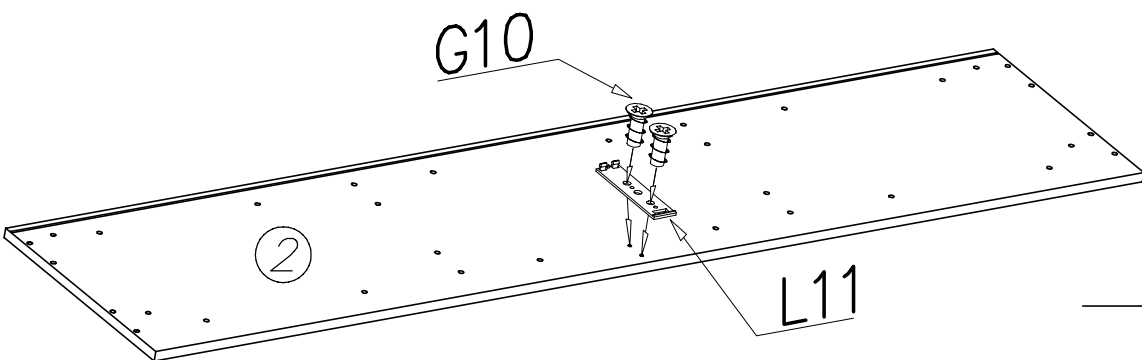
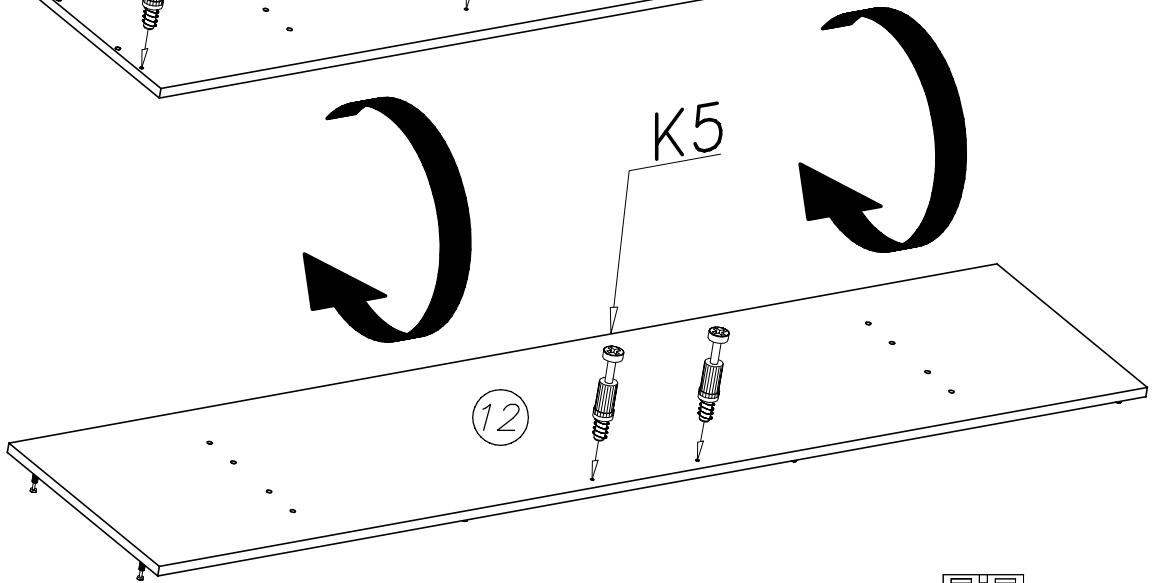
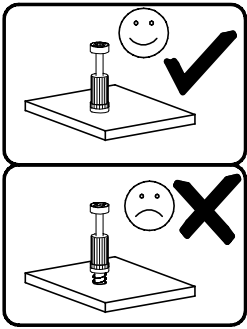
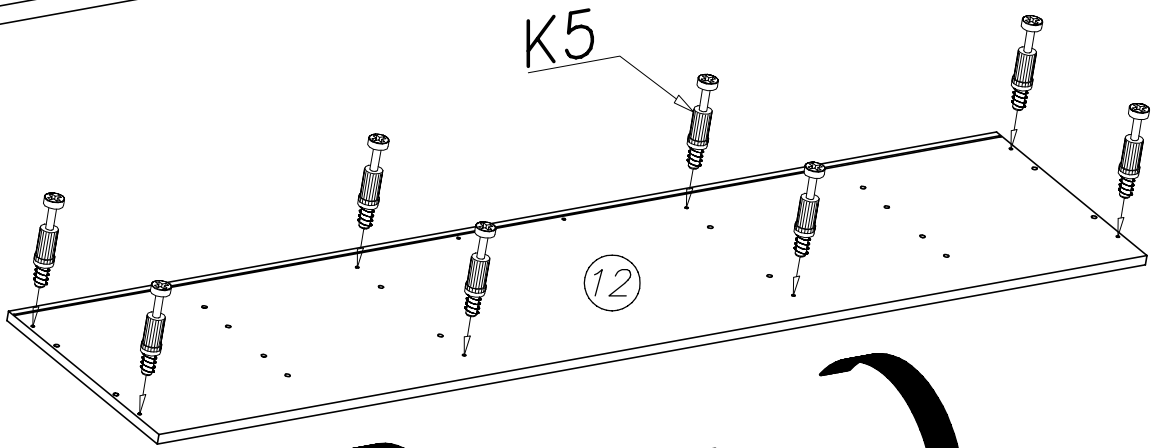
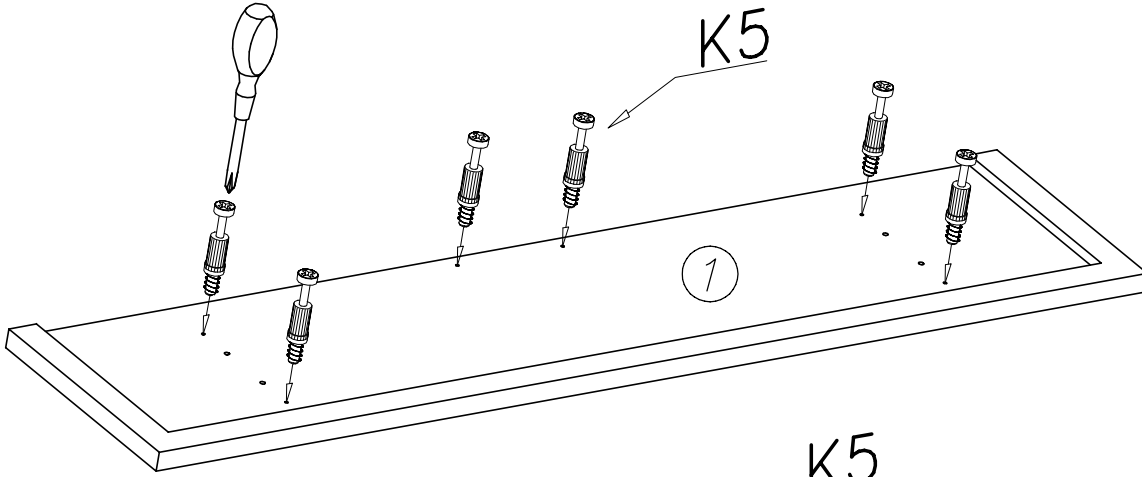
# ADAM



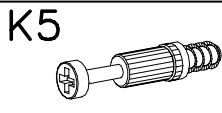
1



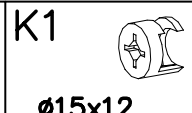
- K5  16x
- L11  1x
- G10  6x13 2x



2

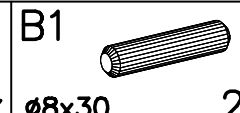


4x



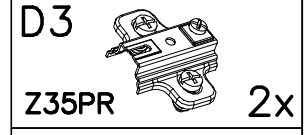
ø15x12

20x



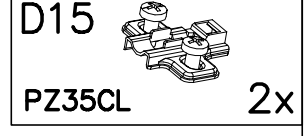
ø8x30

20x



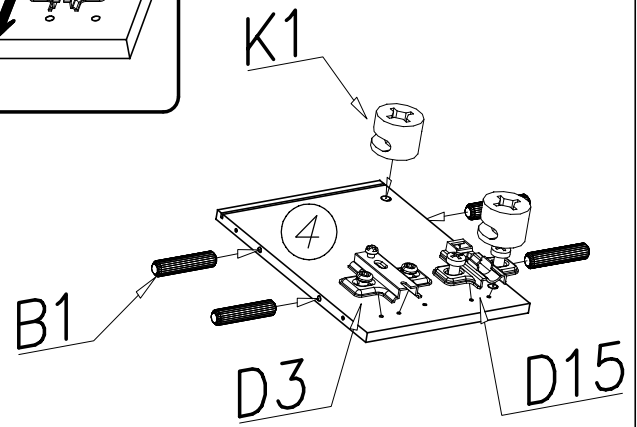
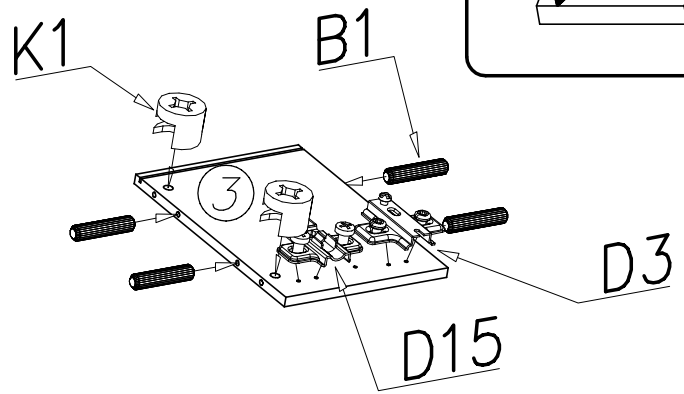
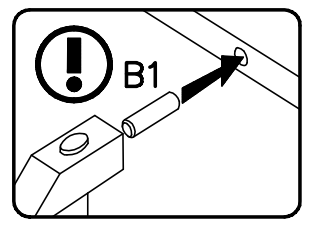
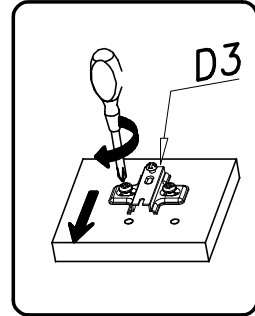
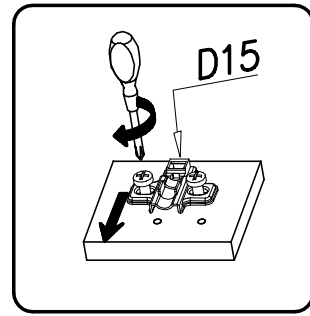
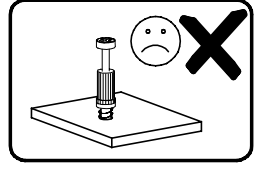
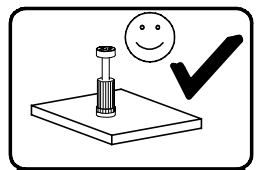
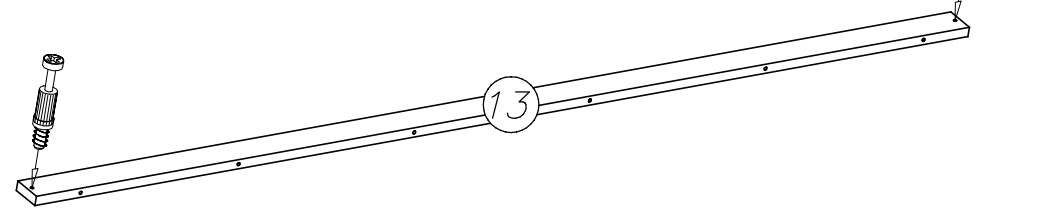
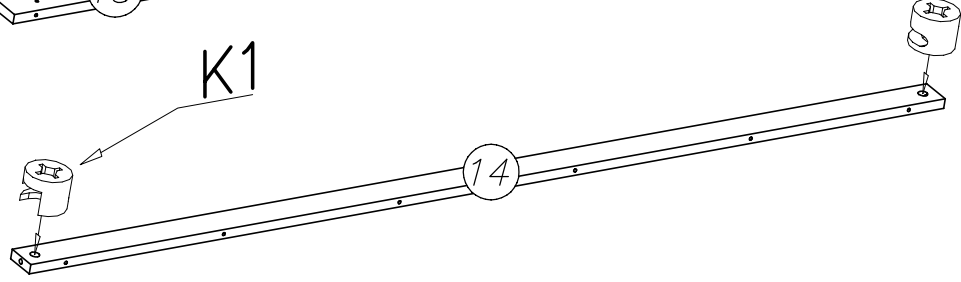
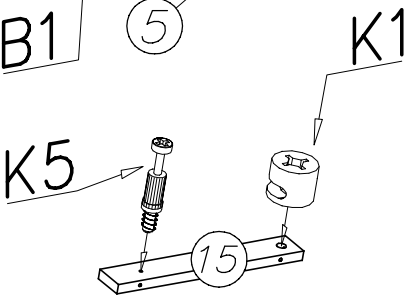
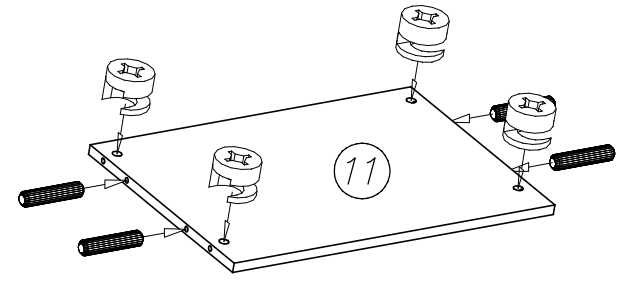
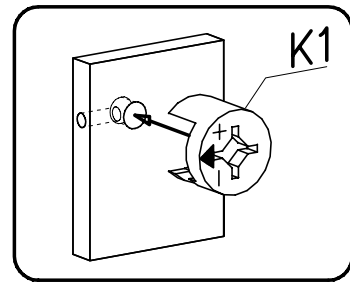
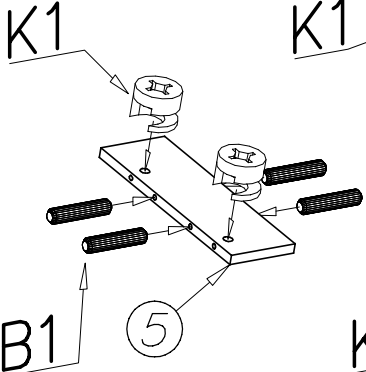
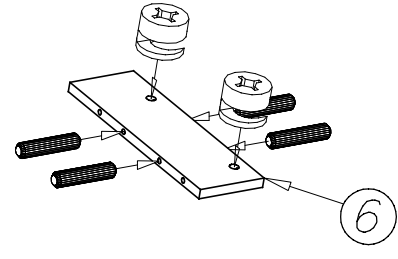
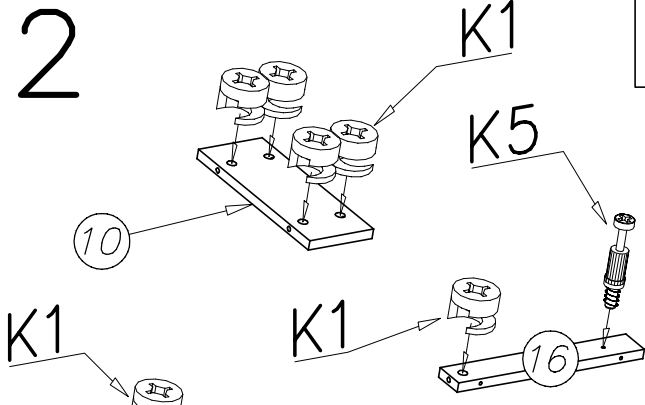
Z35PR

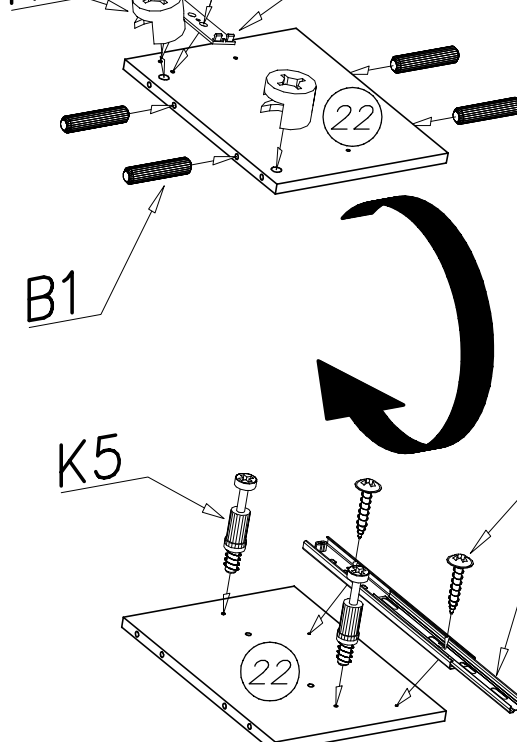
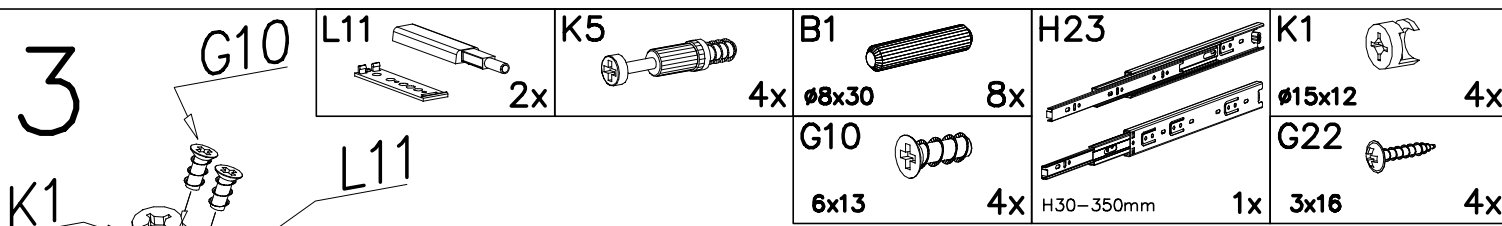
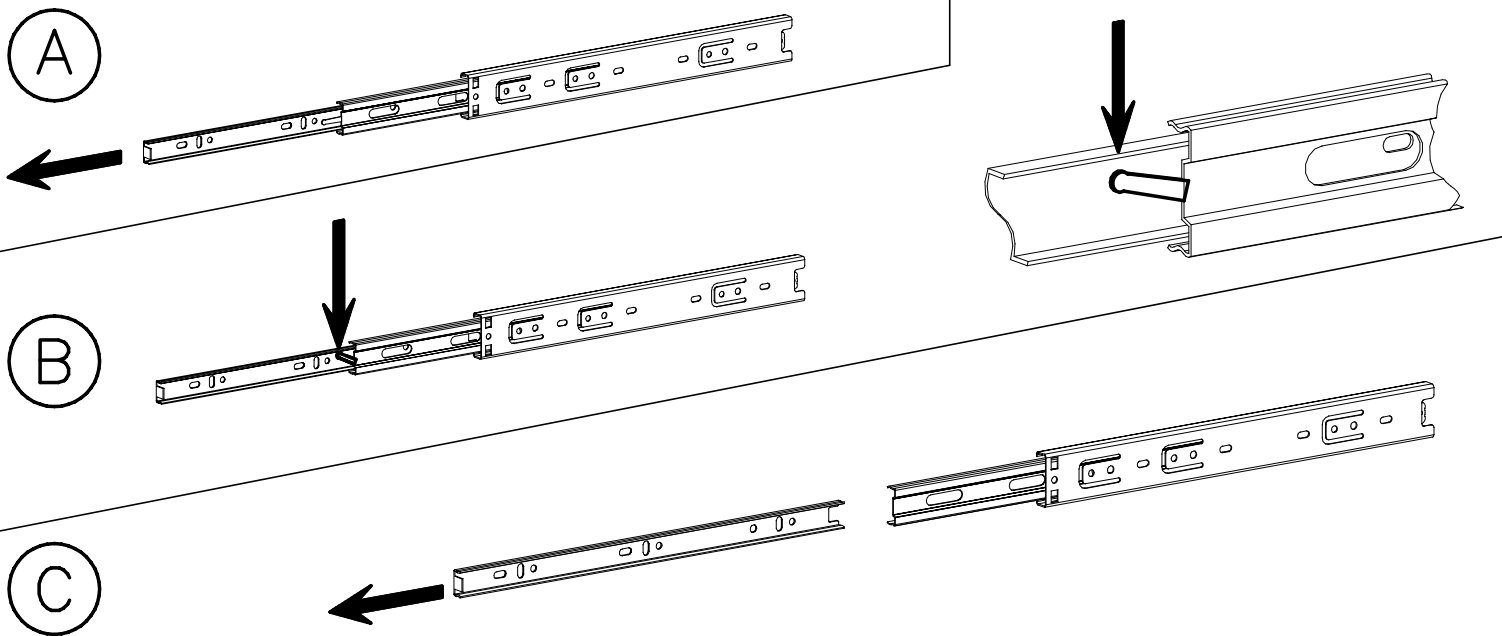
2x



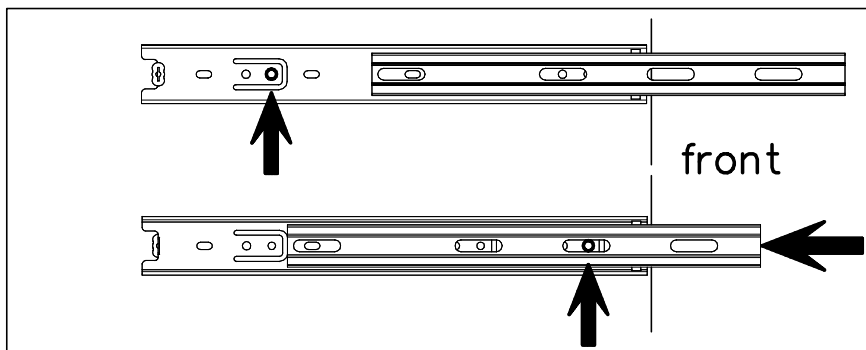
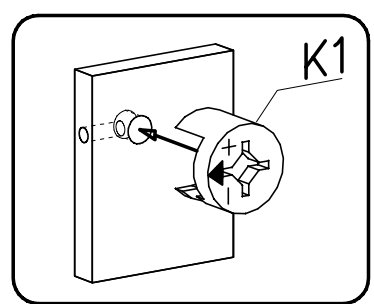
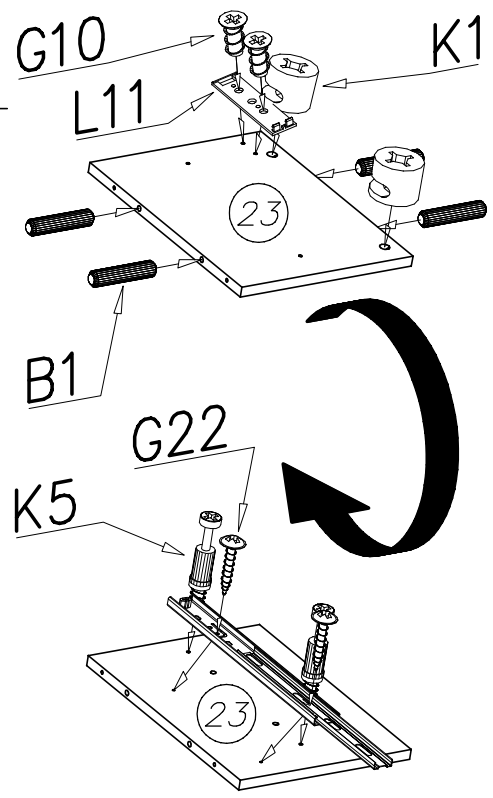
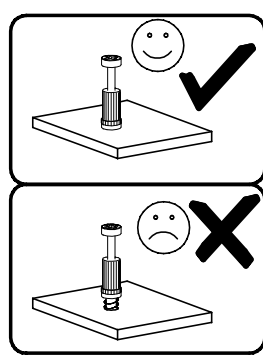
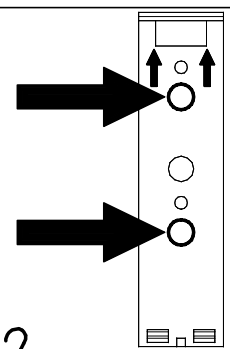
PZ35CL

2x

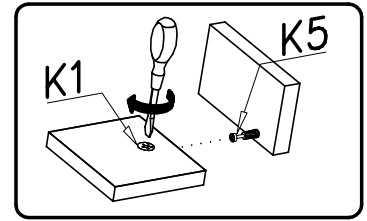
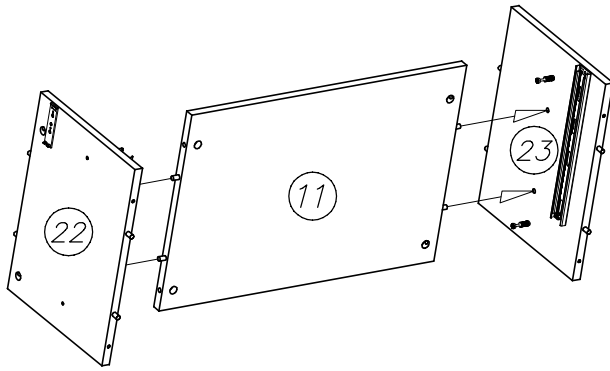




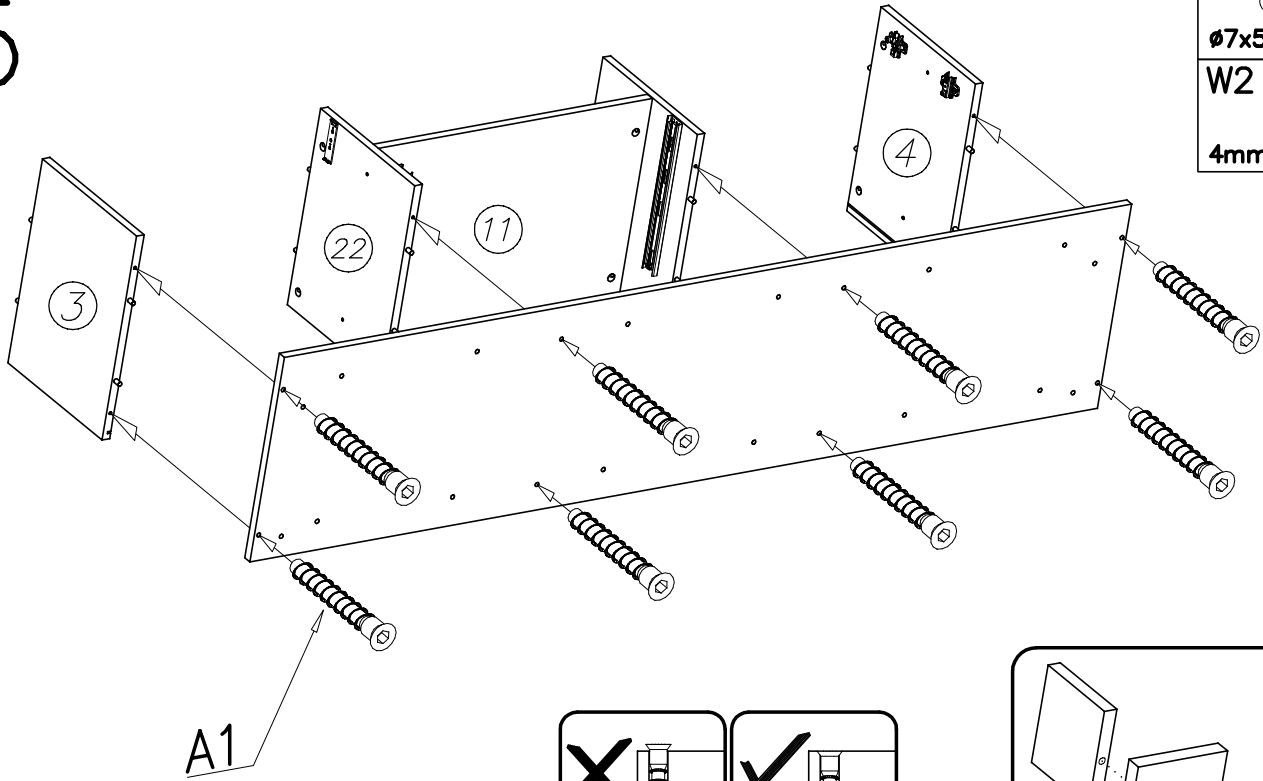
front



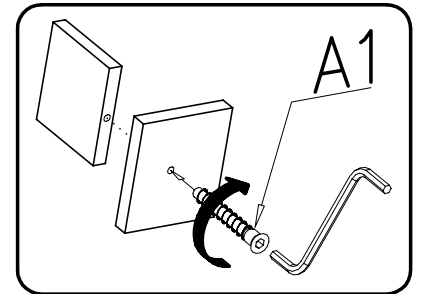
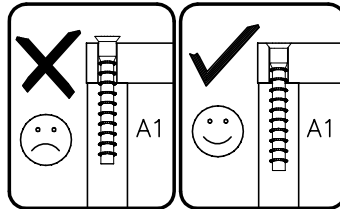
4



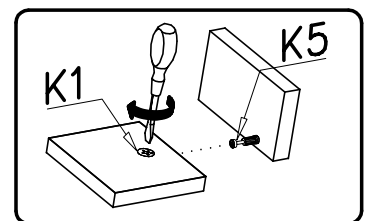
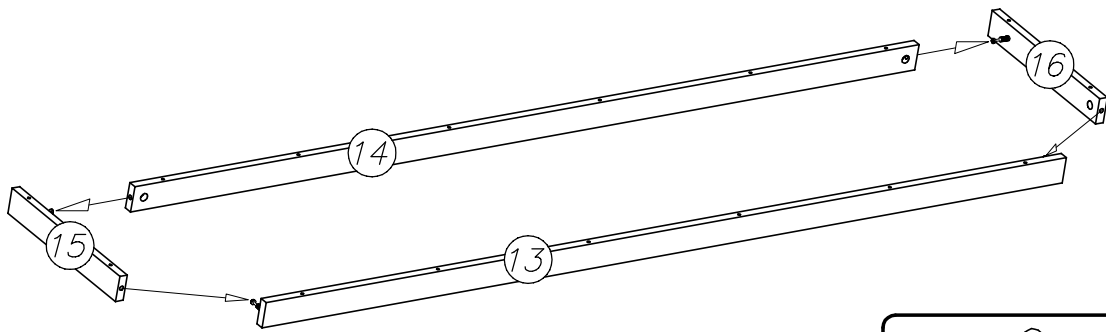
5



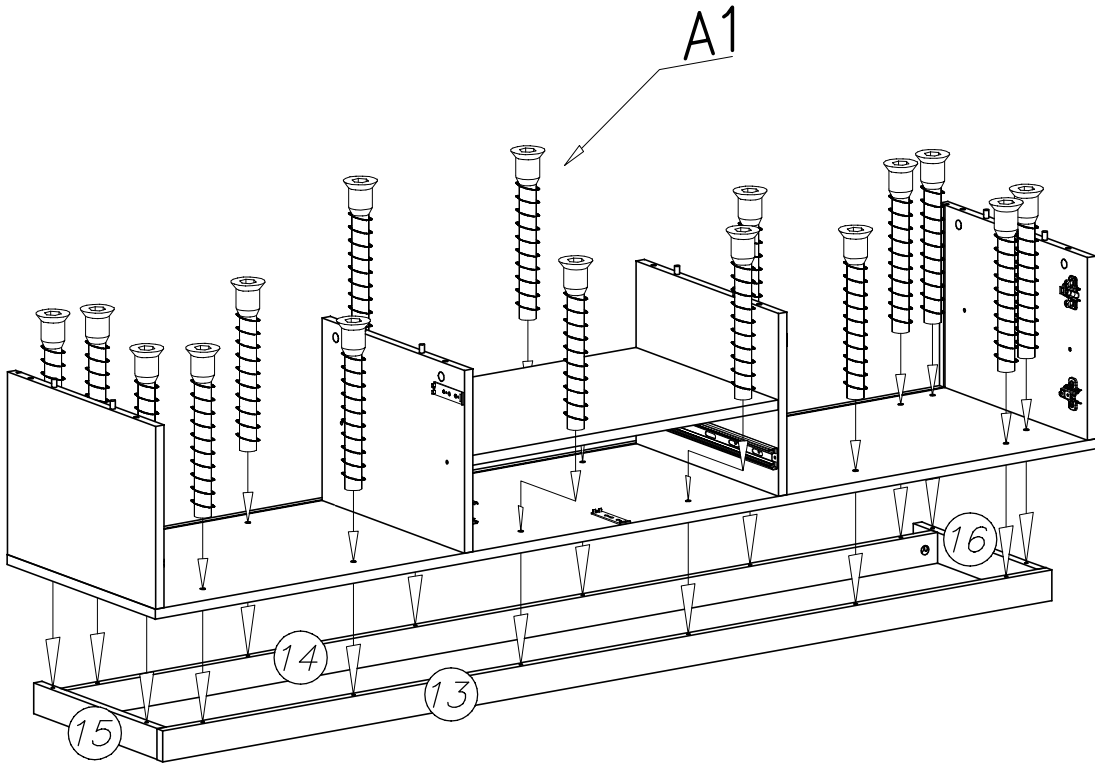
A1		8x
W2		1x



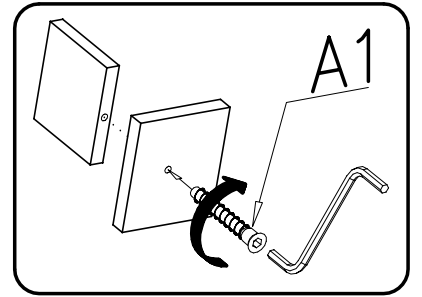
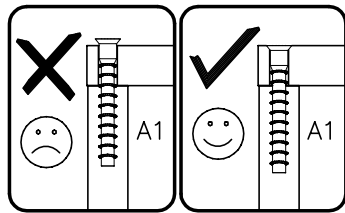
6



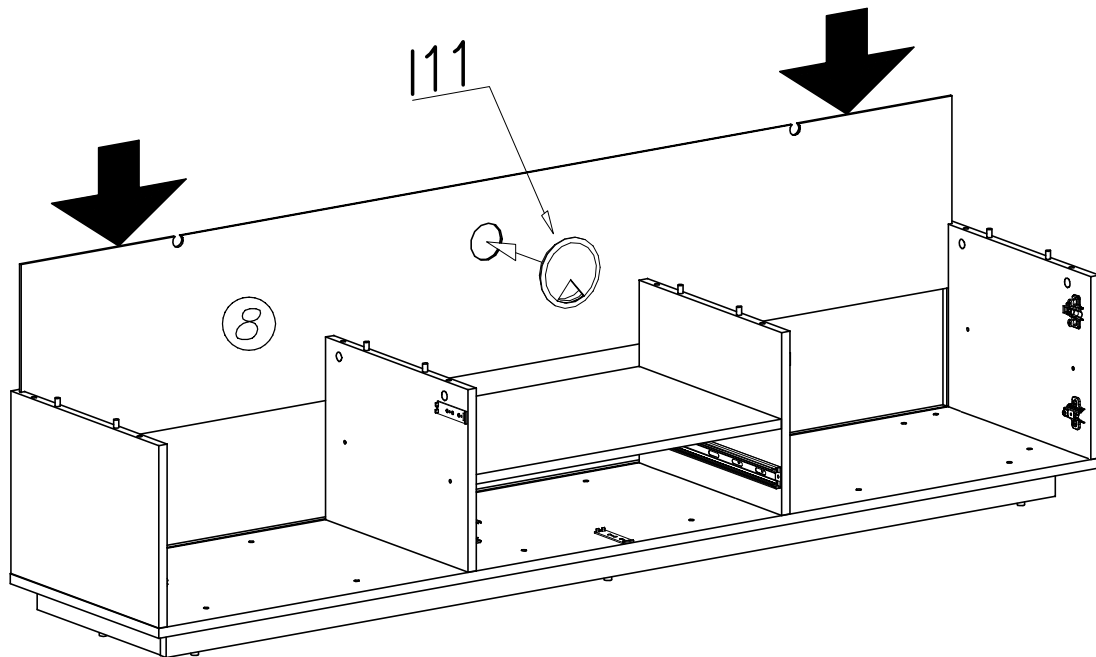
7



A1		16x
Ø7x50		
W2		1x
4mm		

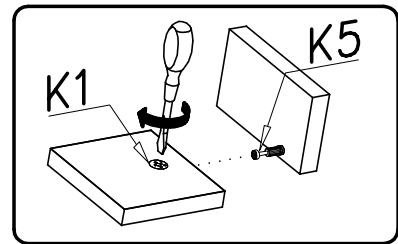
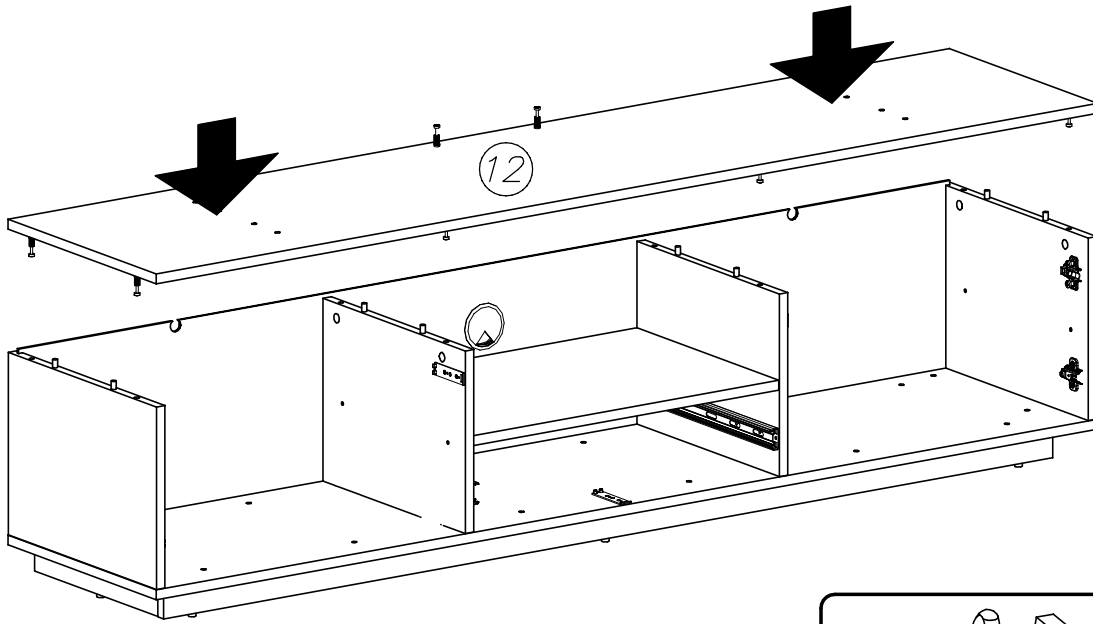


8

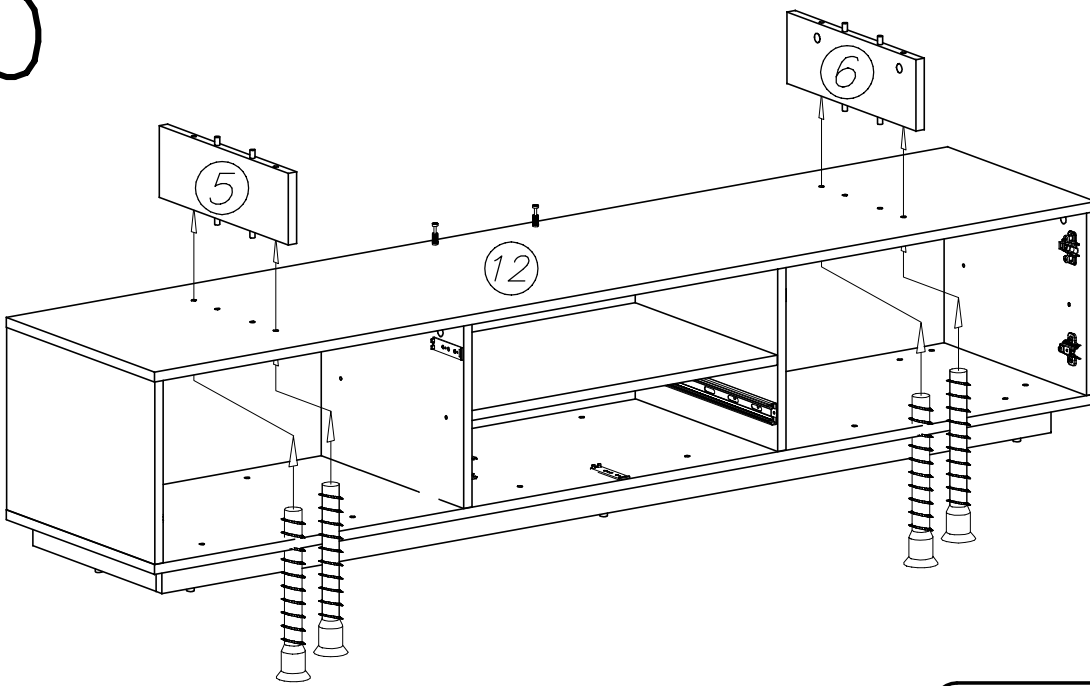


111		1x
Ø60		

9

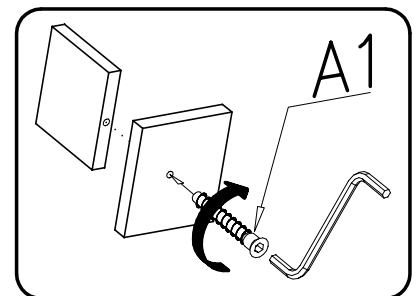
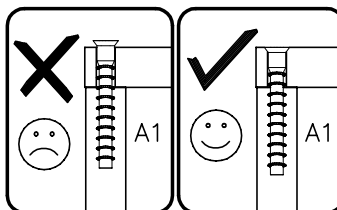


10

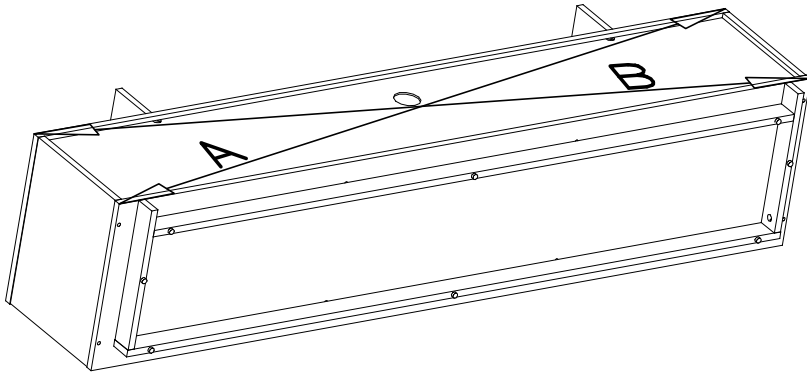


A1		
	ø7x50	4x
W2		
	4mm	1x

A1



11

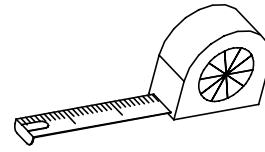


G22  
3x16

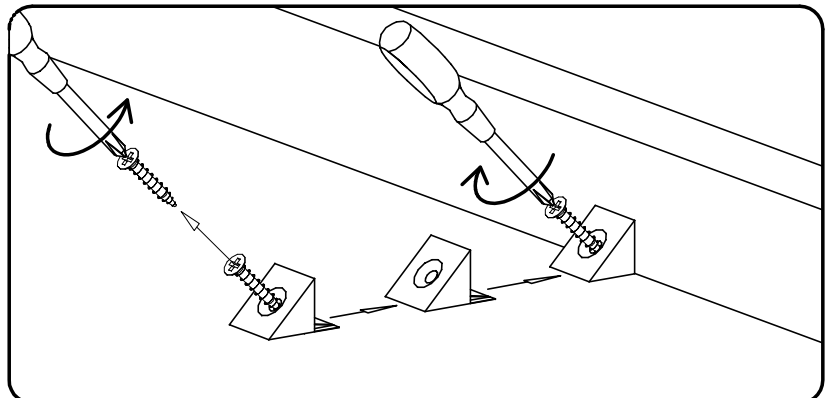
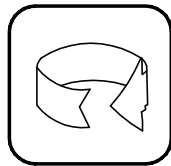
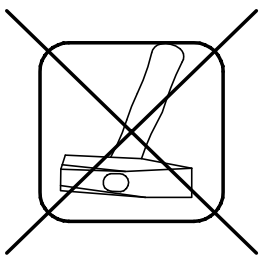
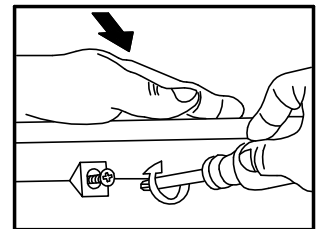
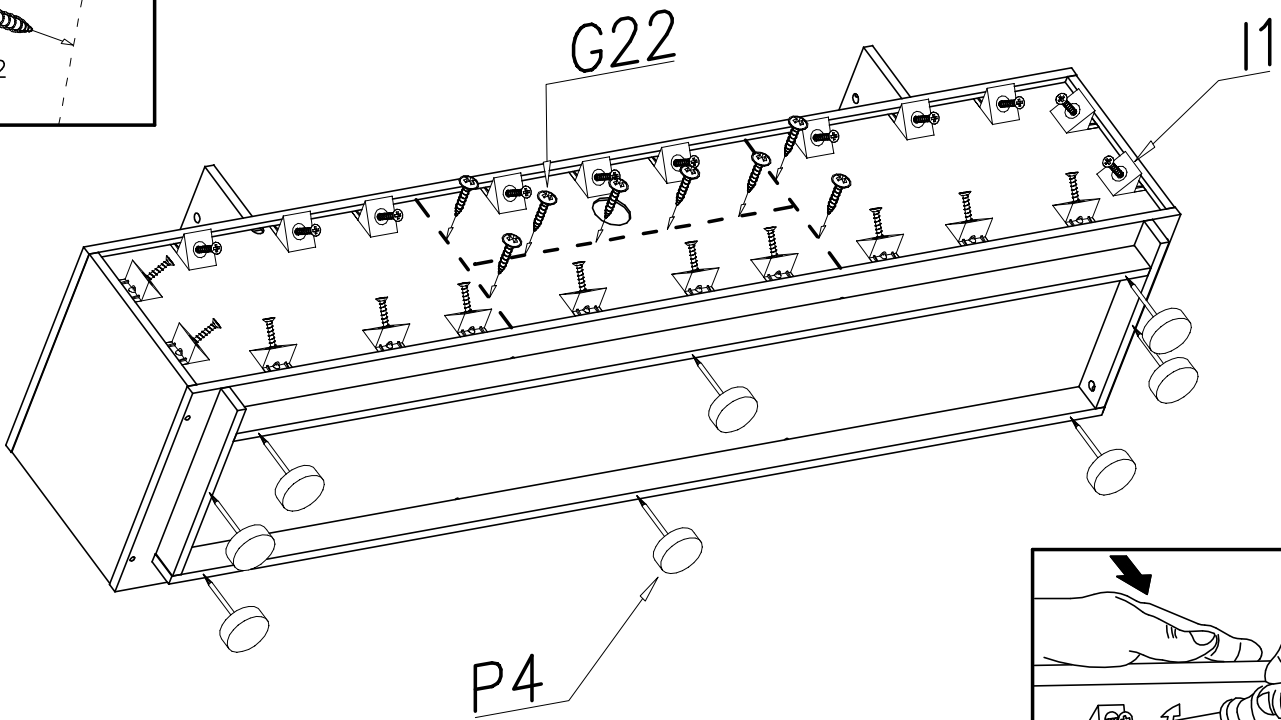
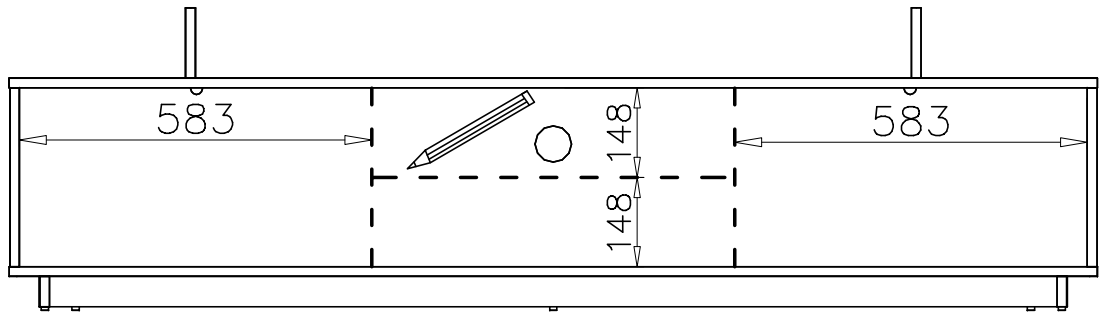
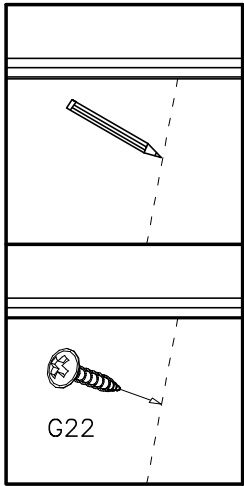
9x

I1  
22x

P4  
8x

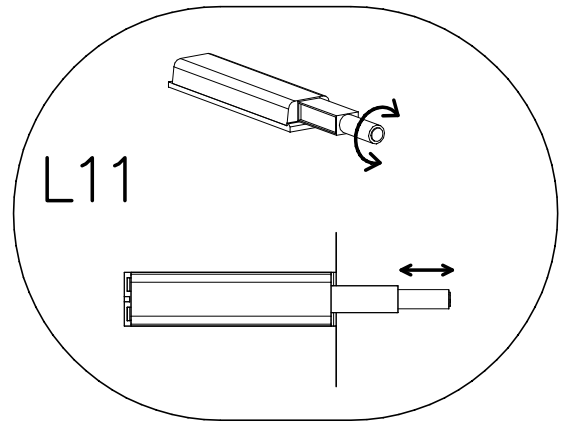
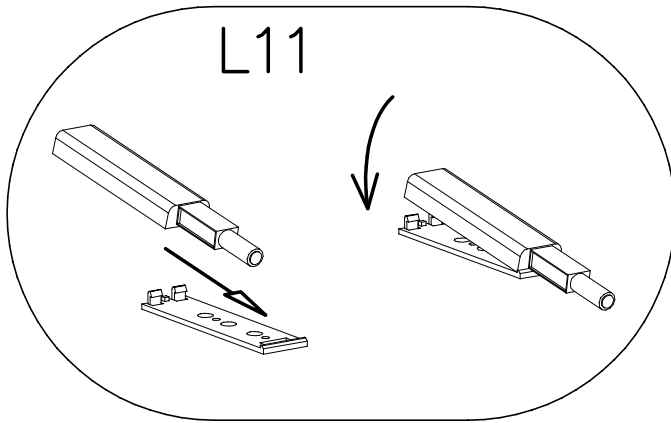
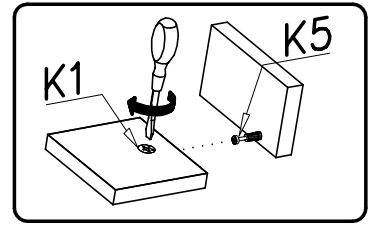
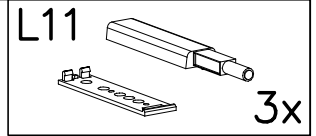
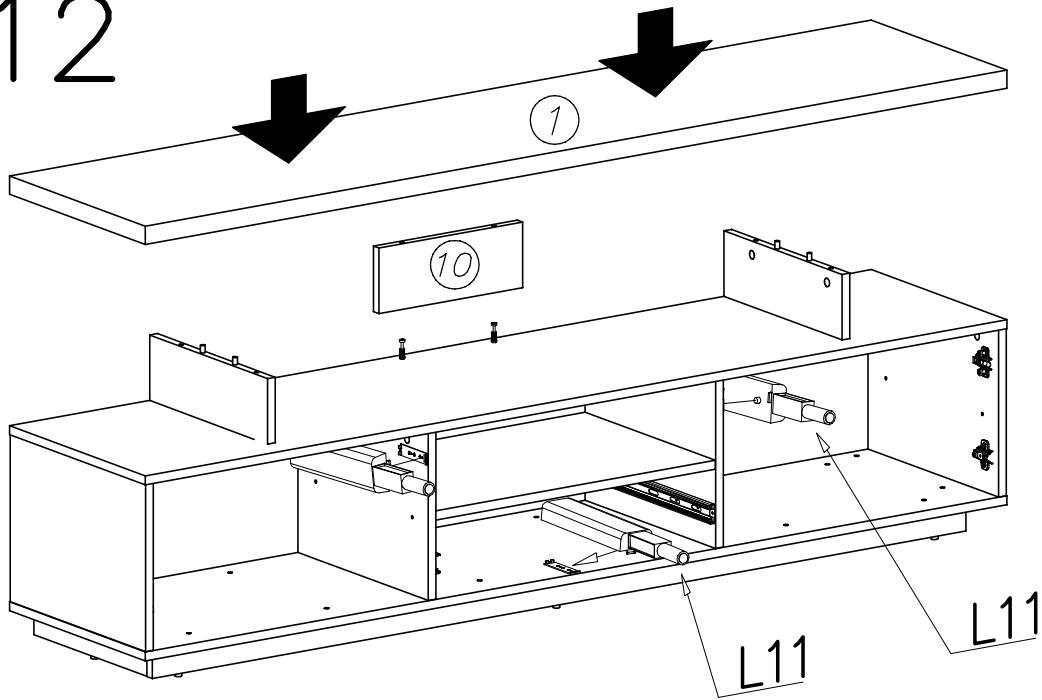


A = B

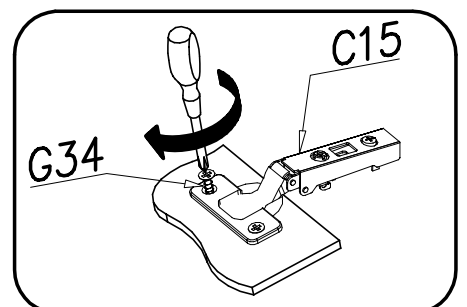
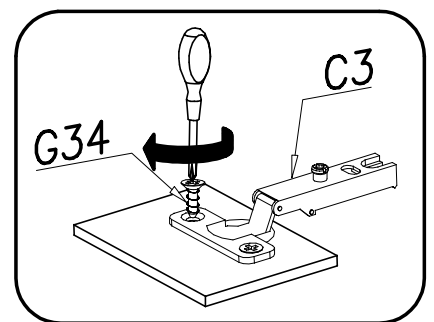
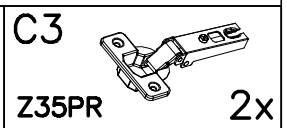
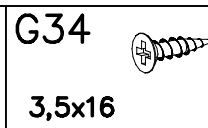
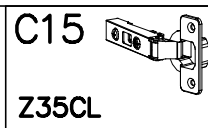
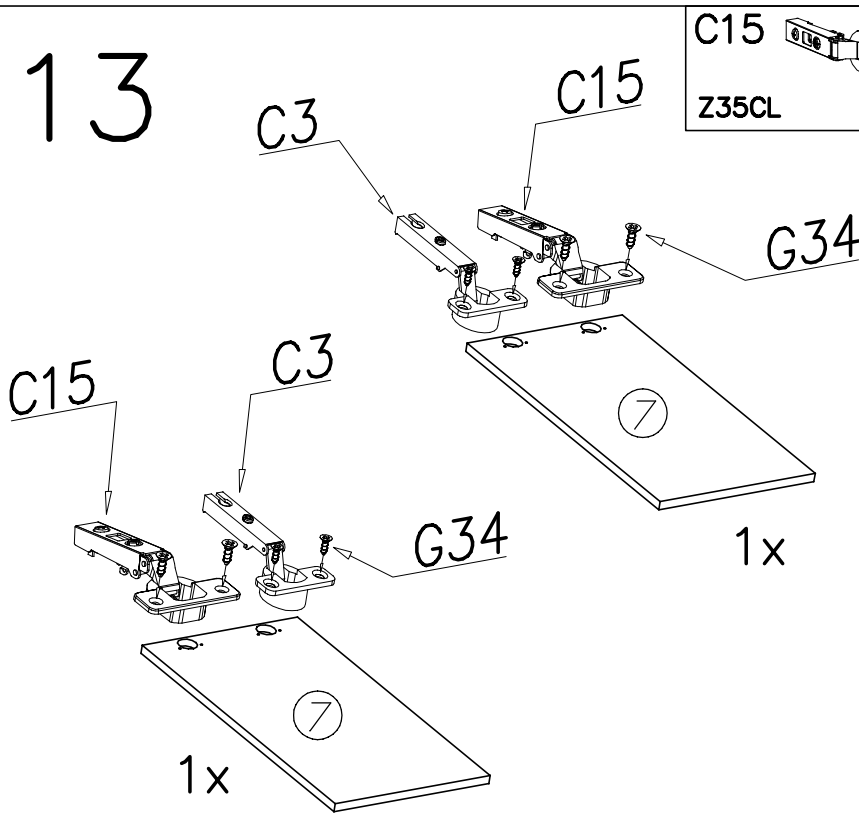




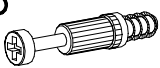


# 12

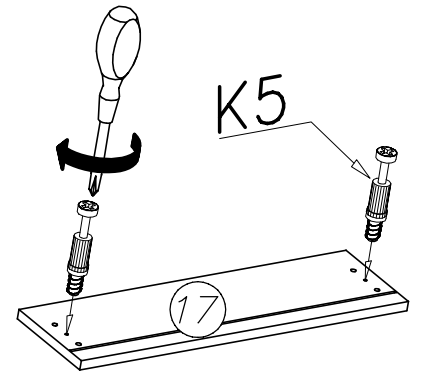
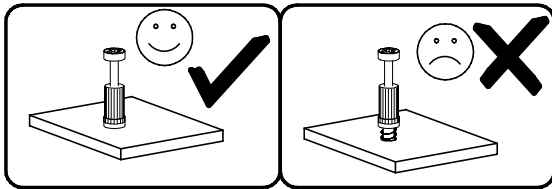
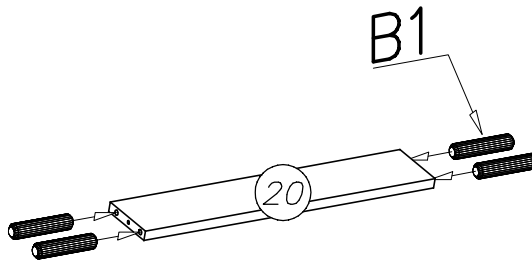
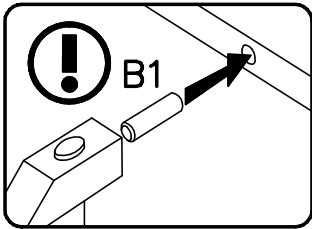
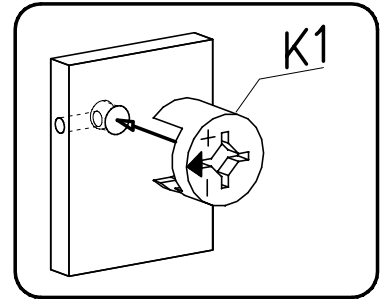
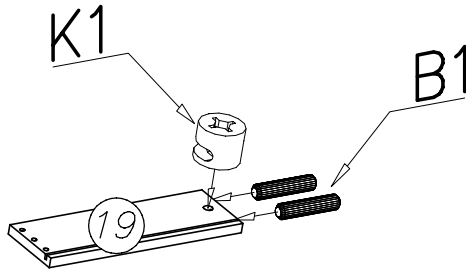
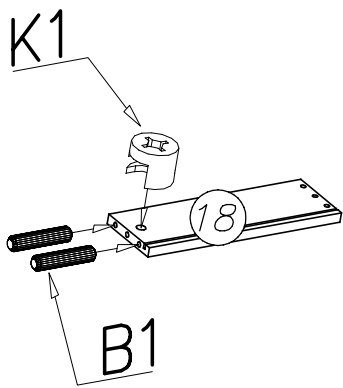


# 13

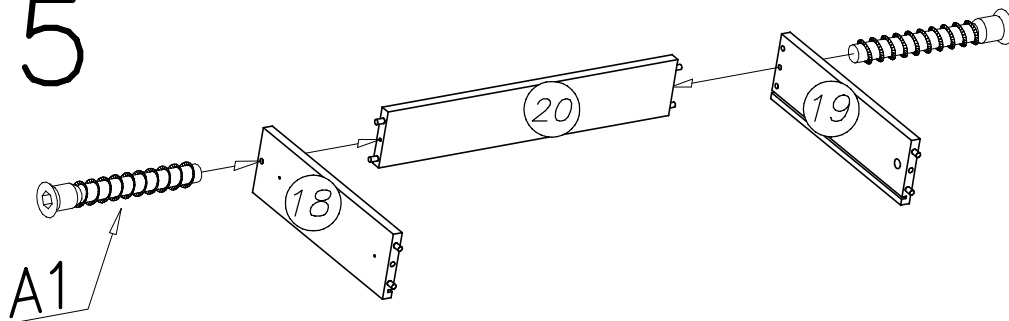


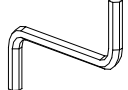
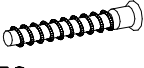
# 14

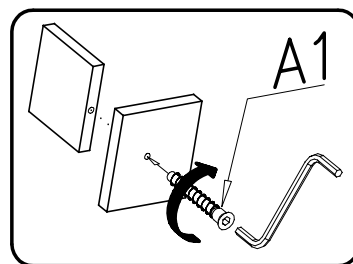
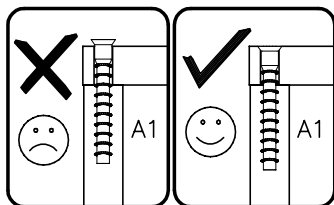
K5		K1		B1	
	2x	∅15x12		2x	∅8x30
				8x	



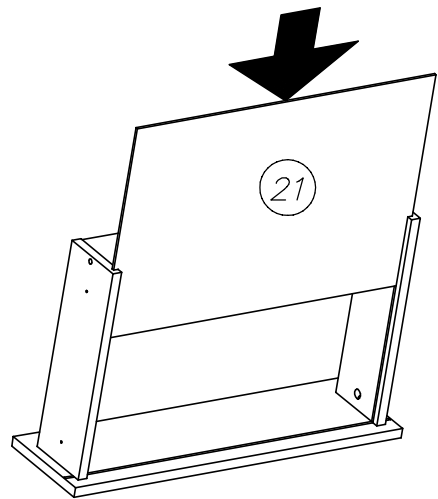
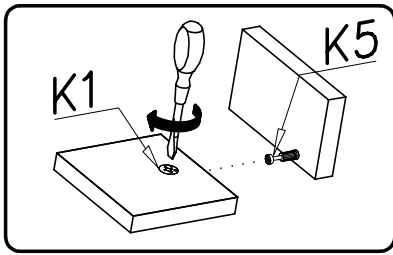
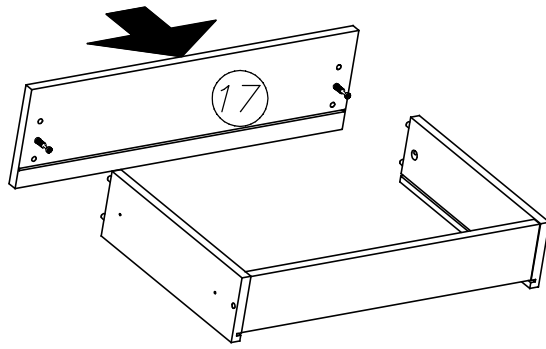
# 15




W4		1x
A1		2x
	∅7x50	




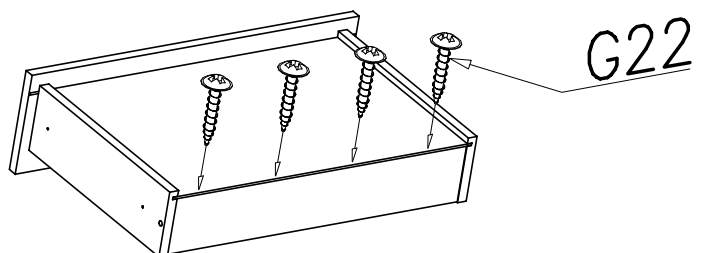
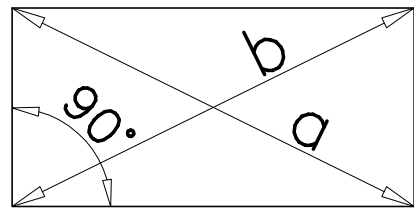
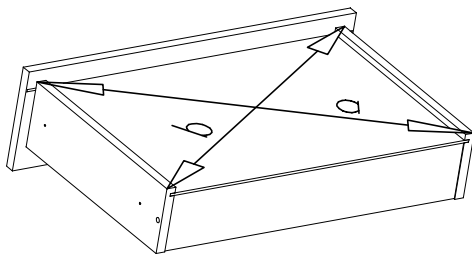
16



17

G22   
3x16 4x

$a=b$  



# 18

G22

H23

G22

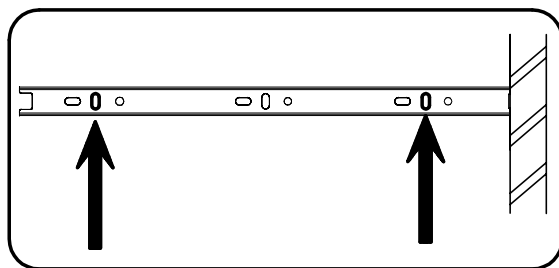
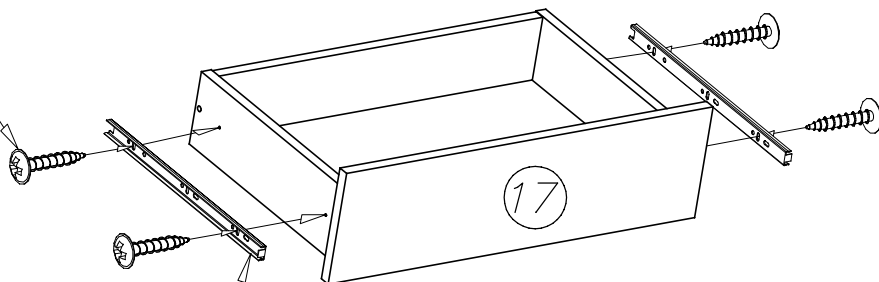
3x16

4x

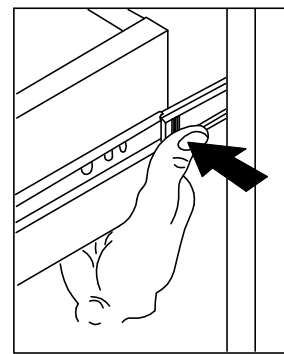
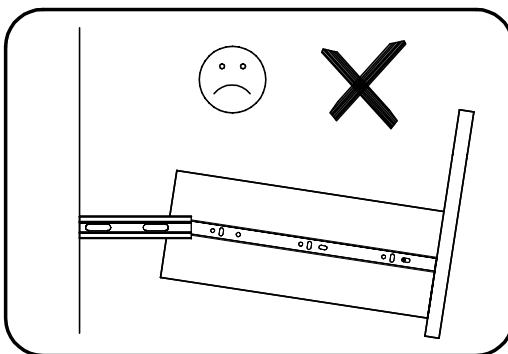
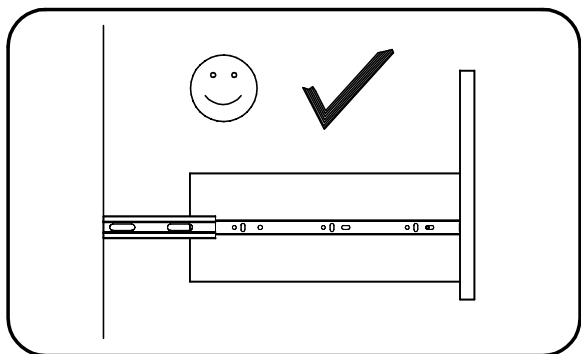
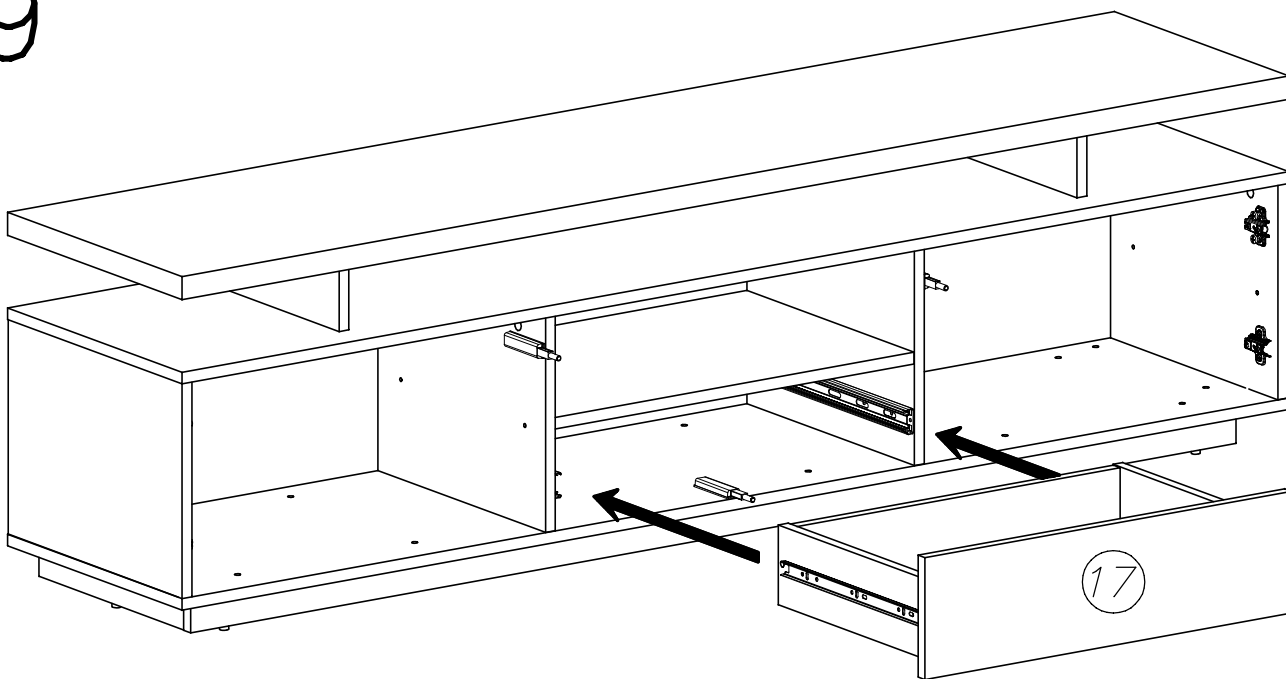
H23

H30-350mm

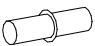



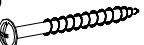
1x

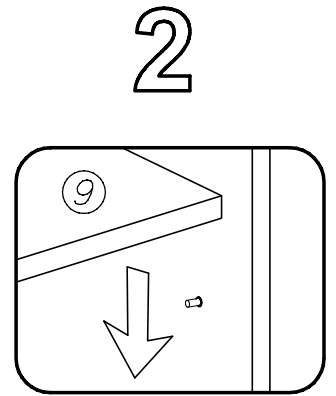
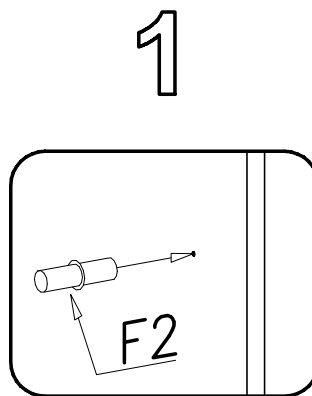
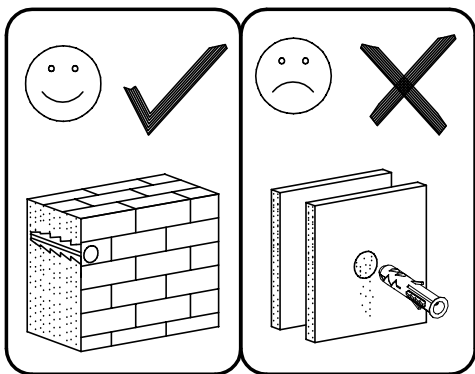
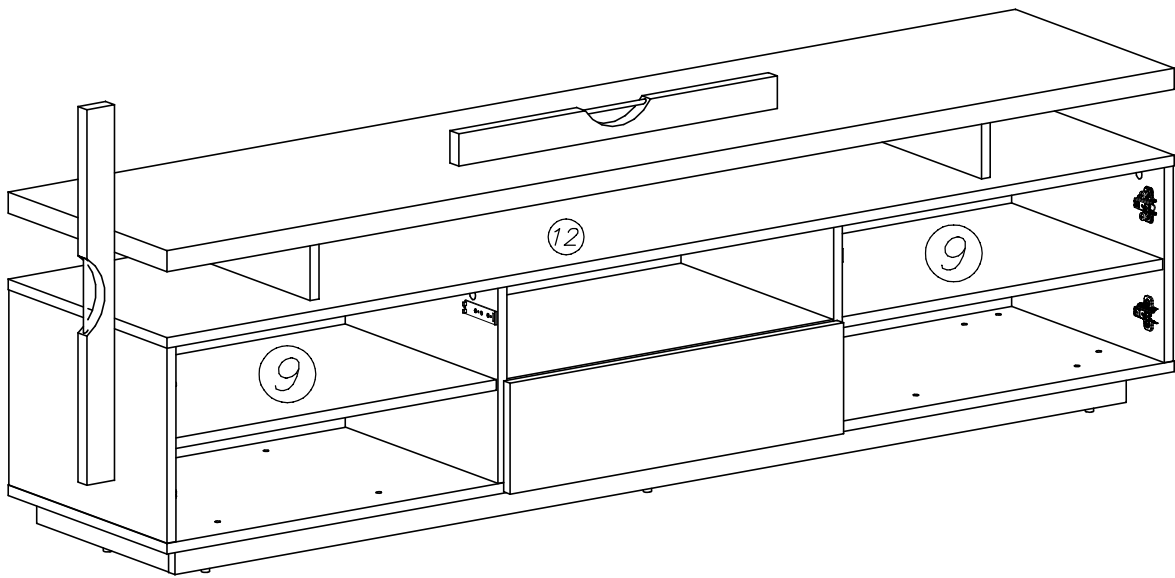
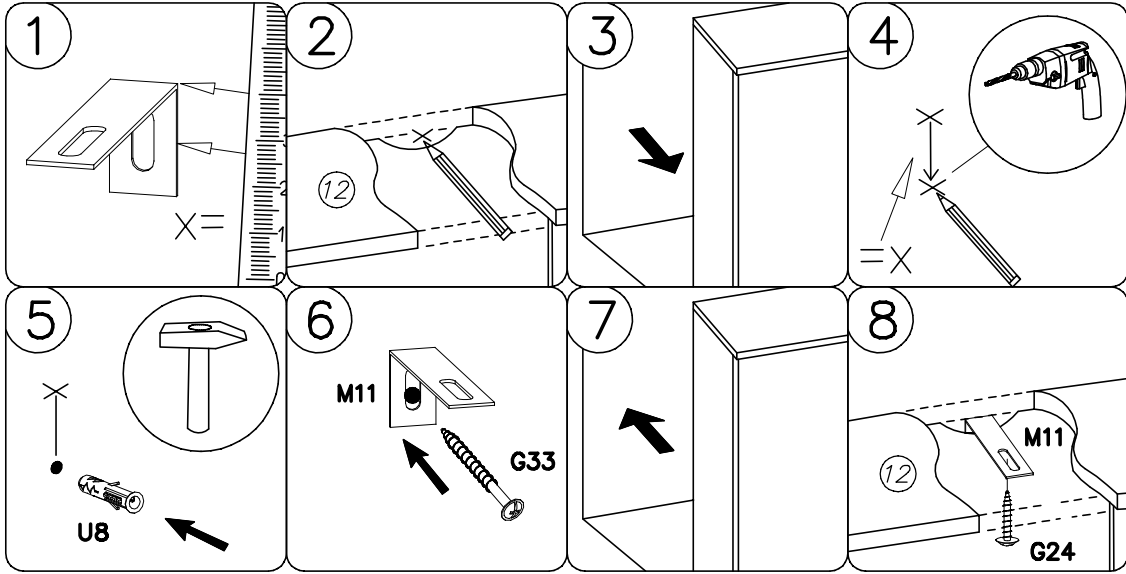


# 19



# 20

F2  8x	G24  4x16	U8  4x Ø8x40	M11  2x	G33  4x40	2x
--	--	---	---	--	----



17		19	
ø18	24x	ø13	12x

