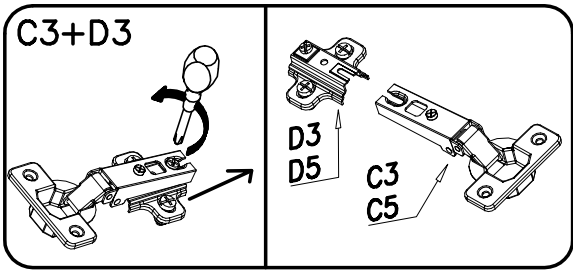
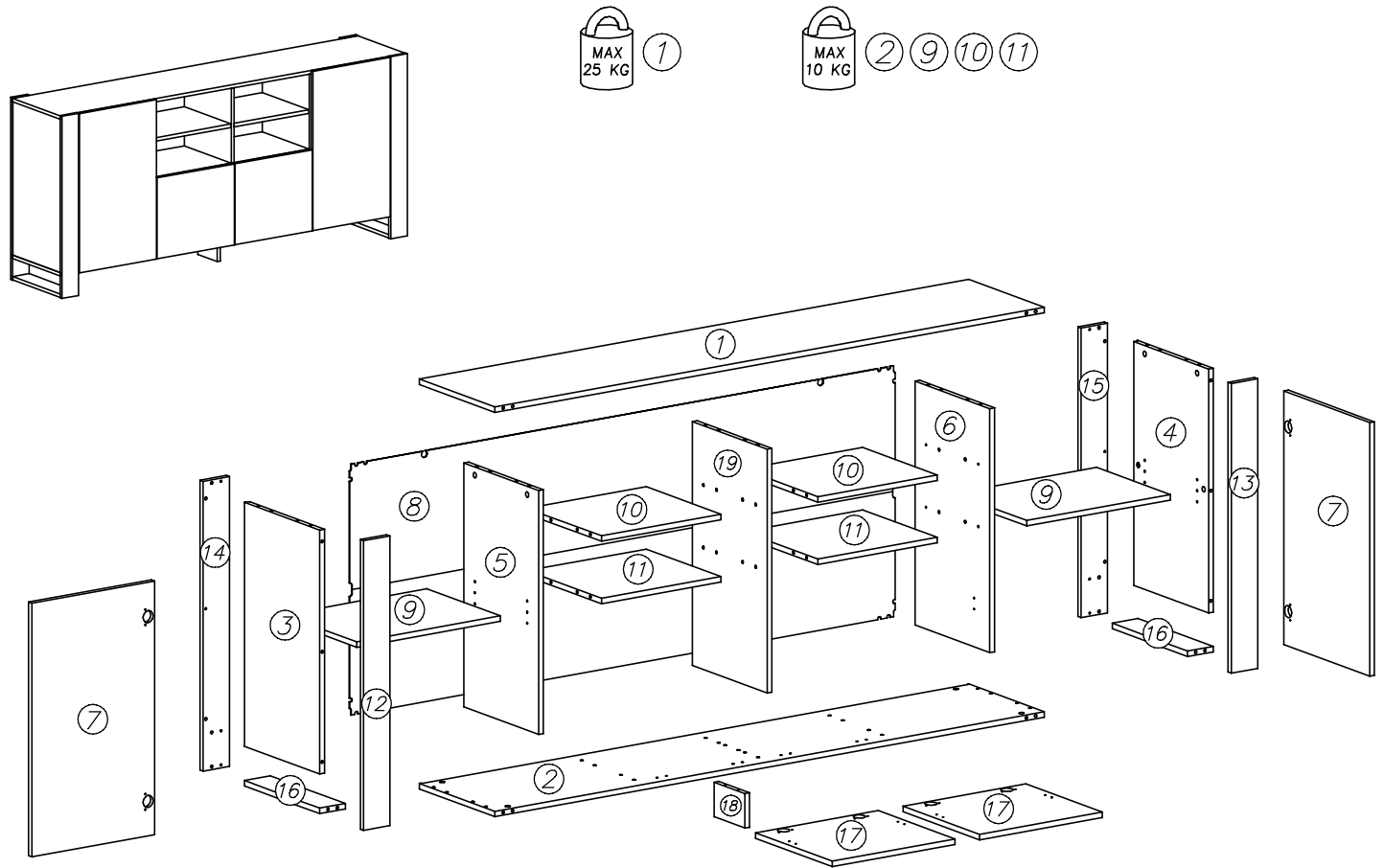
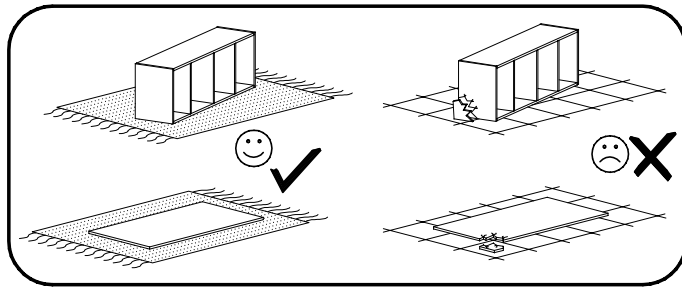


Mondi kom 2d2k/188

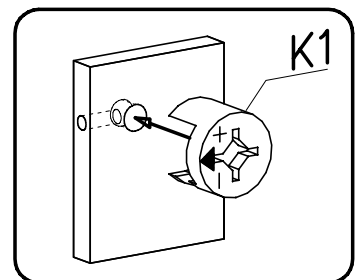
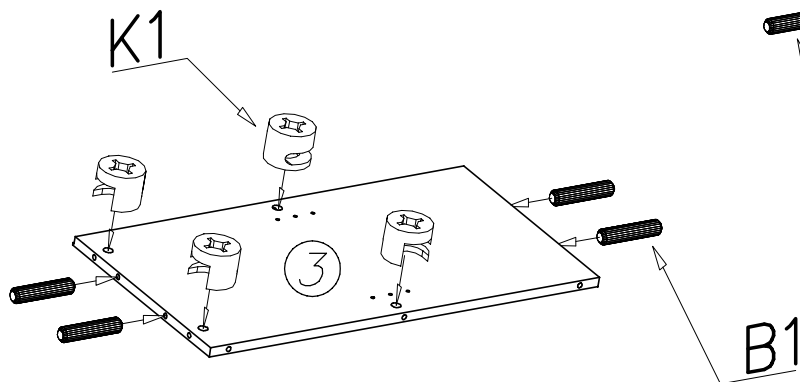
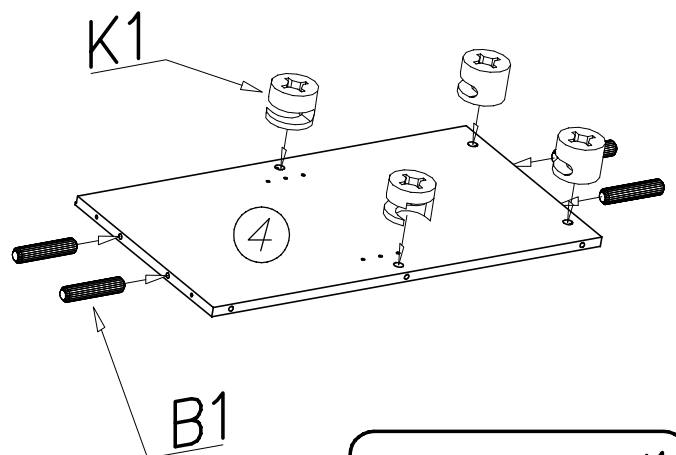
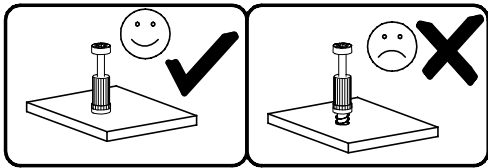
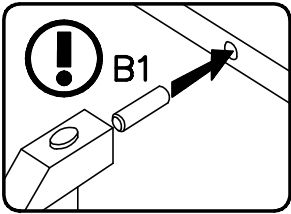
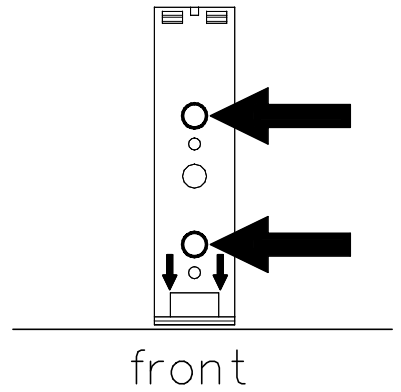
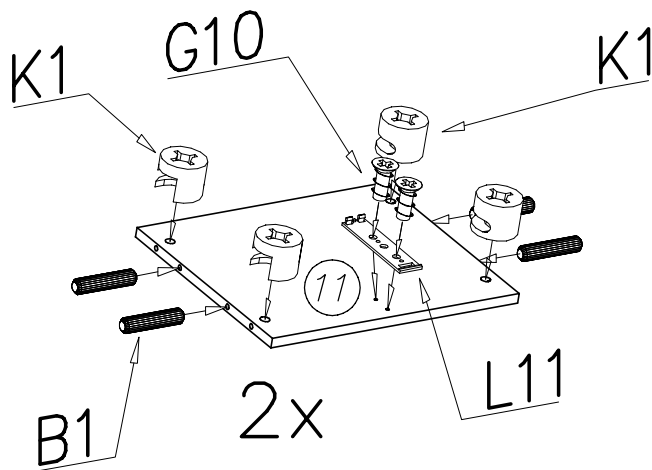
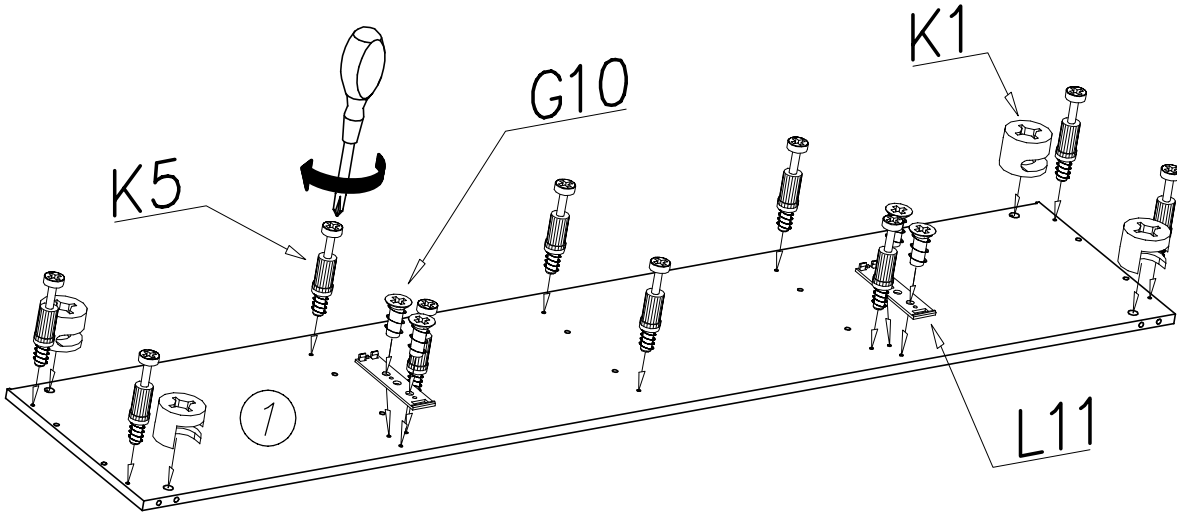


K5 34x	K1 ø15x12 42x	F2 8x	K6 4x	G34 3,5x16 24x	L6 2x
W4 95x	B1 ø8x30 56x	I7 ø18 38x	L11 4x	W2 4mm 1x	P5 5x
G10 6x13 8x	C5+D5 Z35R0 4x	C3+D3 Z35PR 4x	M11 2x	G24 4x16 4x	G33 4x40 2x
A1 ø7x50 12x			U8 ø8x40 2x		

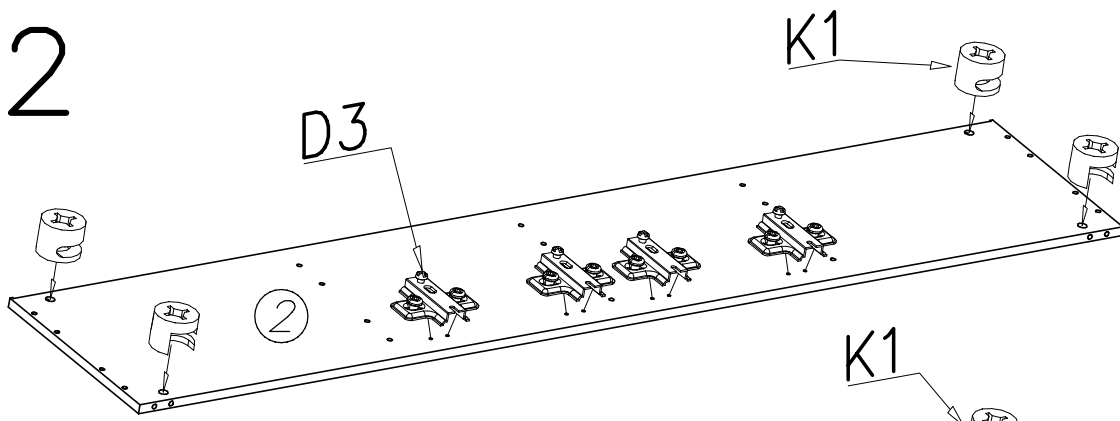
1



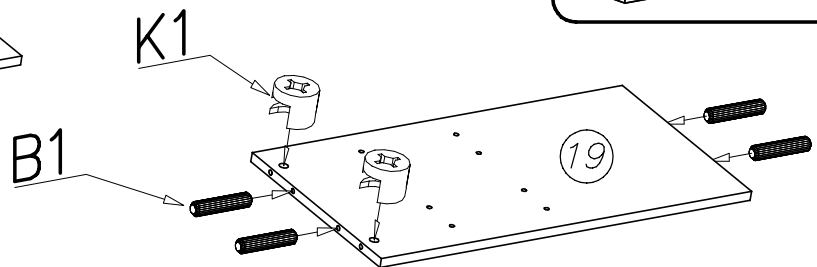
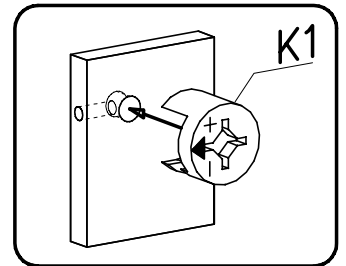
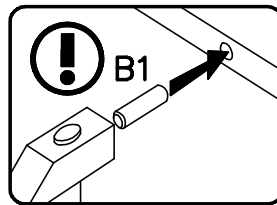
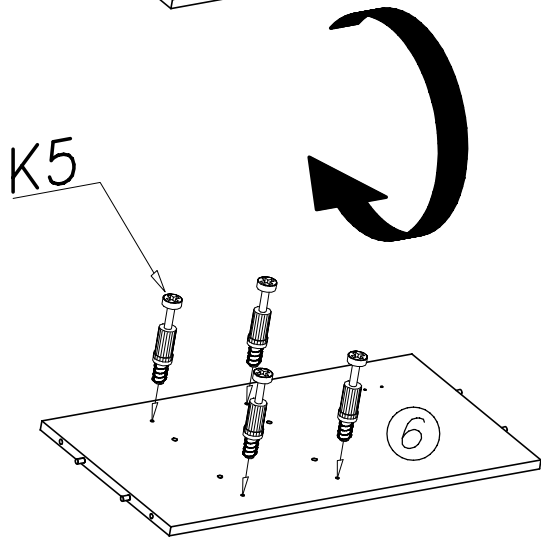
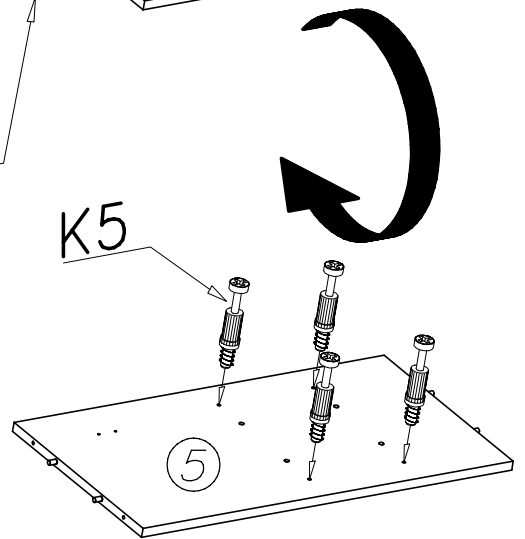
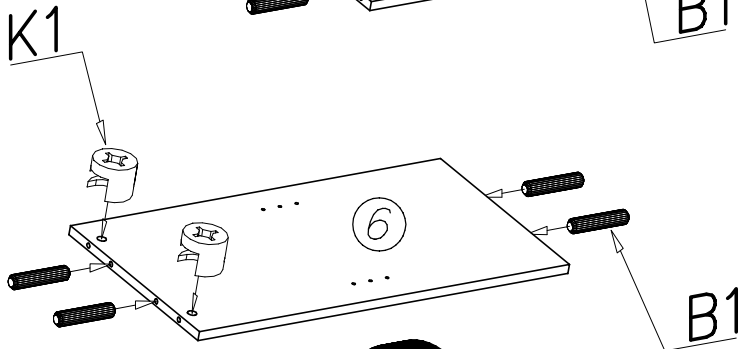
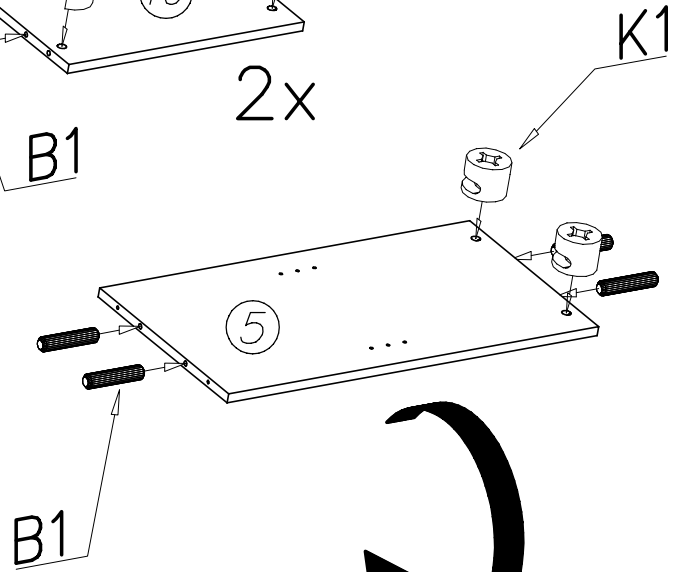
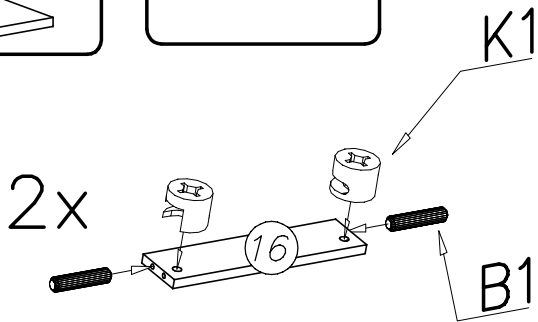
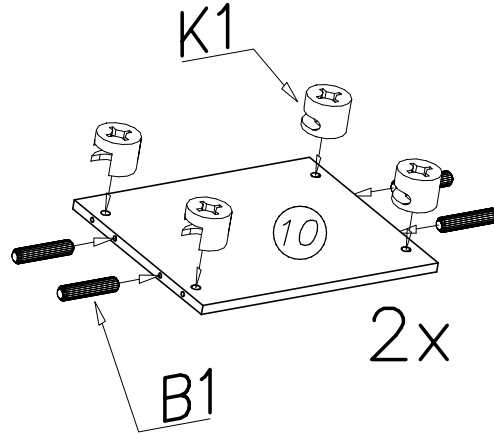
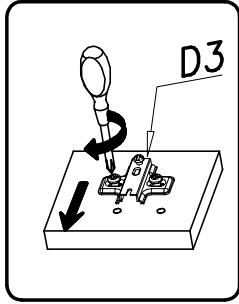
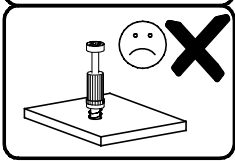
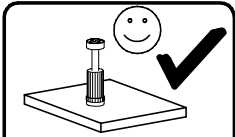
K5		10x
L11		4x
G10		8x
K1		20x
B1		16x



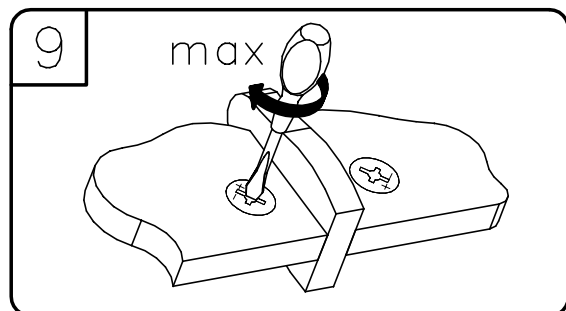
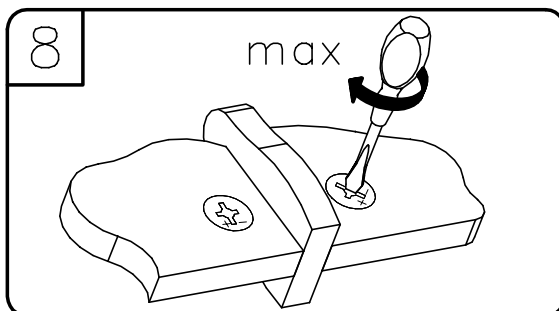
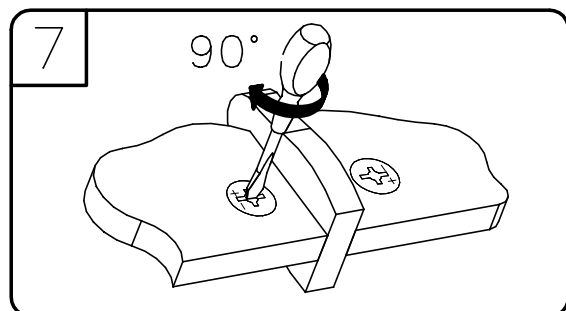
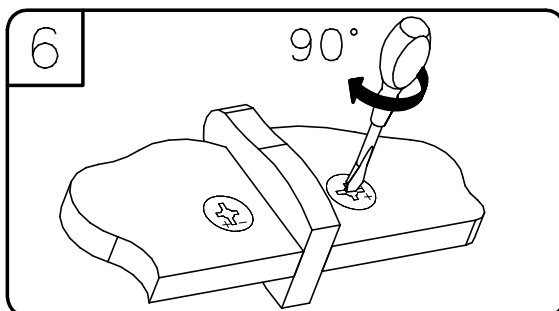
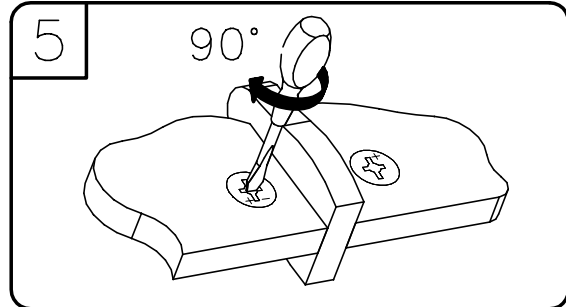
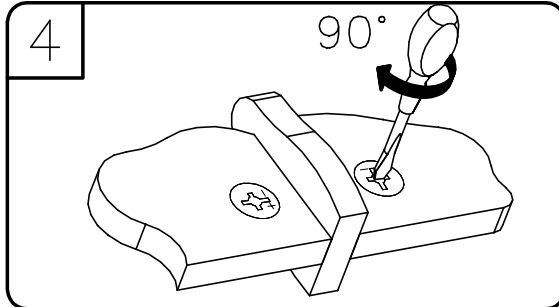
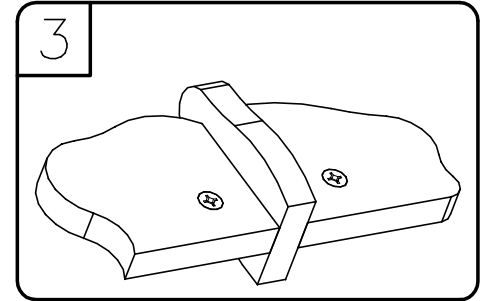
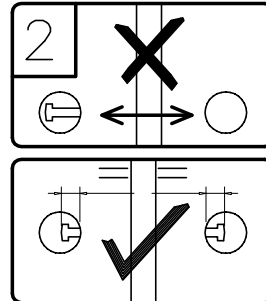
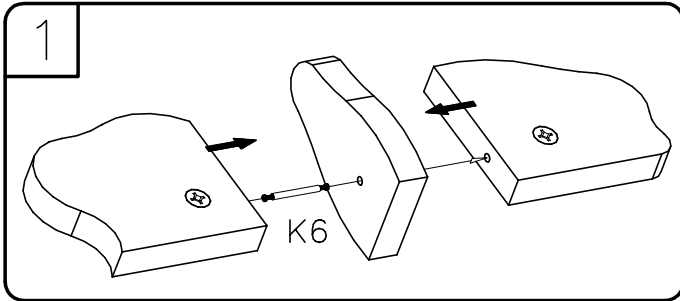
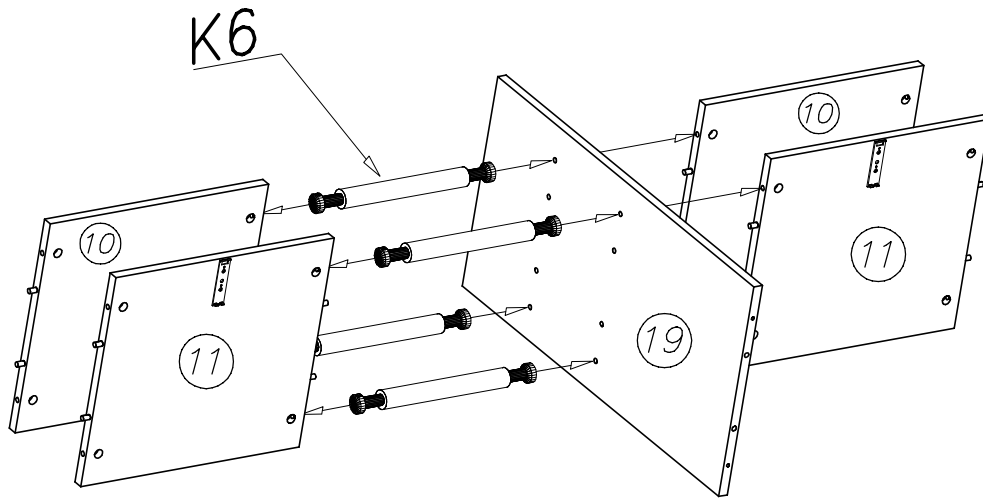
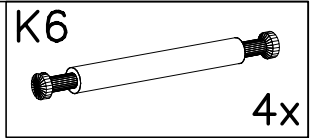
2



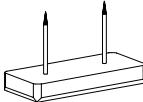
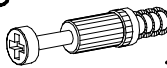
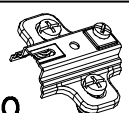
K5		8x
D3		4x
Z35PR		4x
K1		22x
ø15x12		
B1		24x
ø8x30		

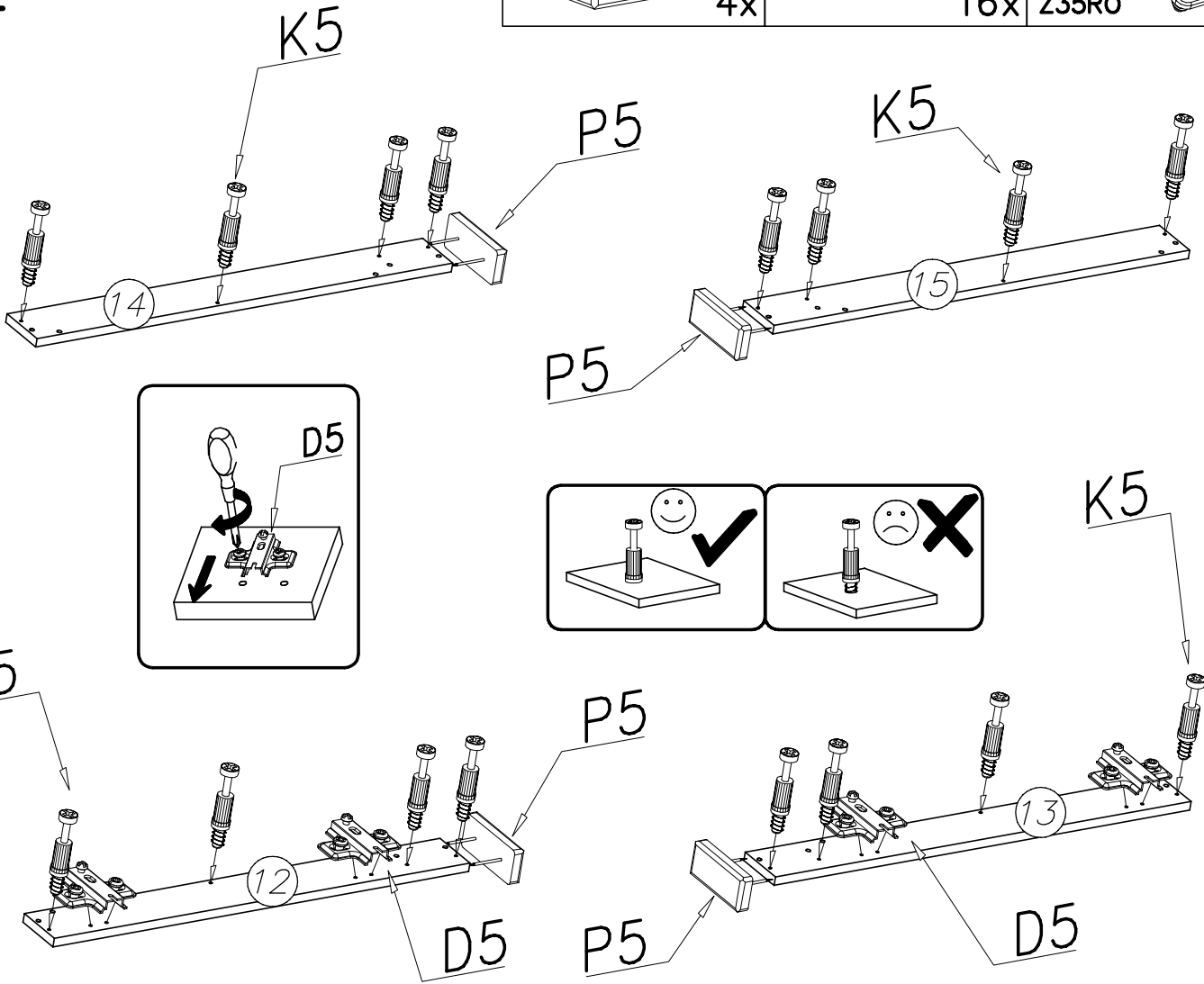


3

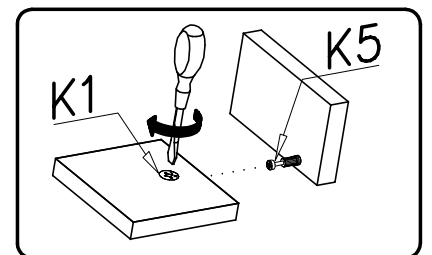
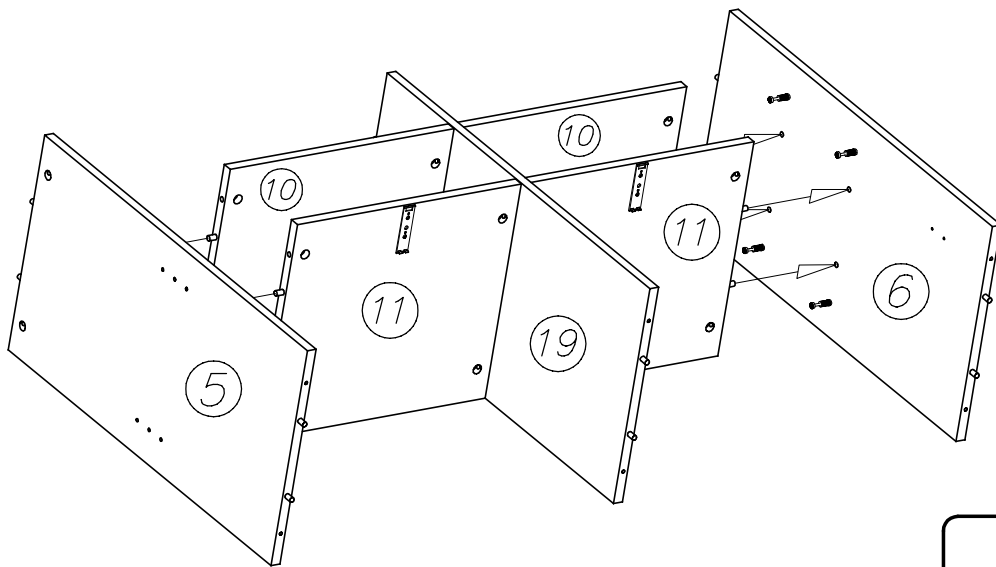


4

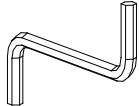

P5  4x	K5  16x	D5  Z35RO 4x
--	---	---

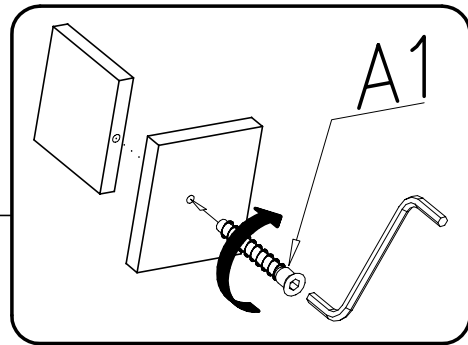
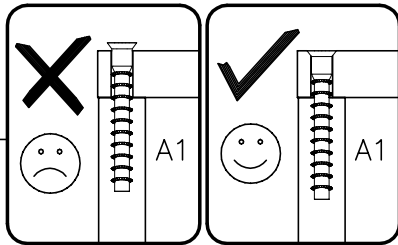
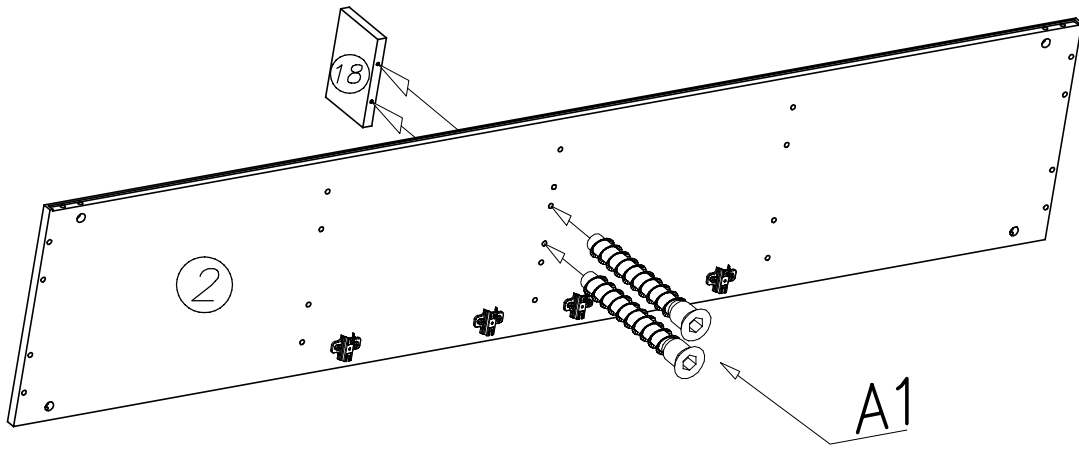


5

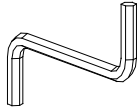



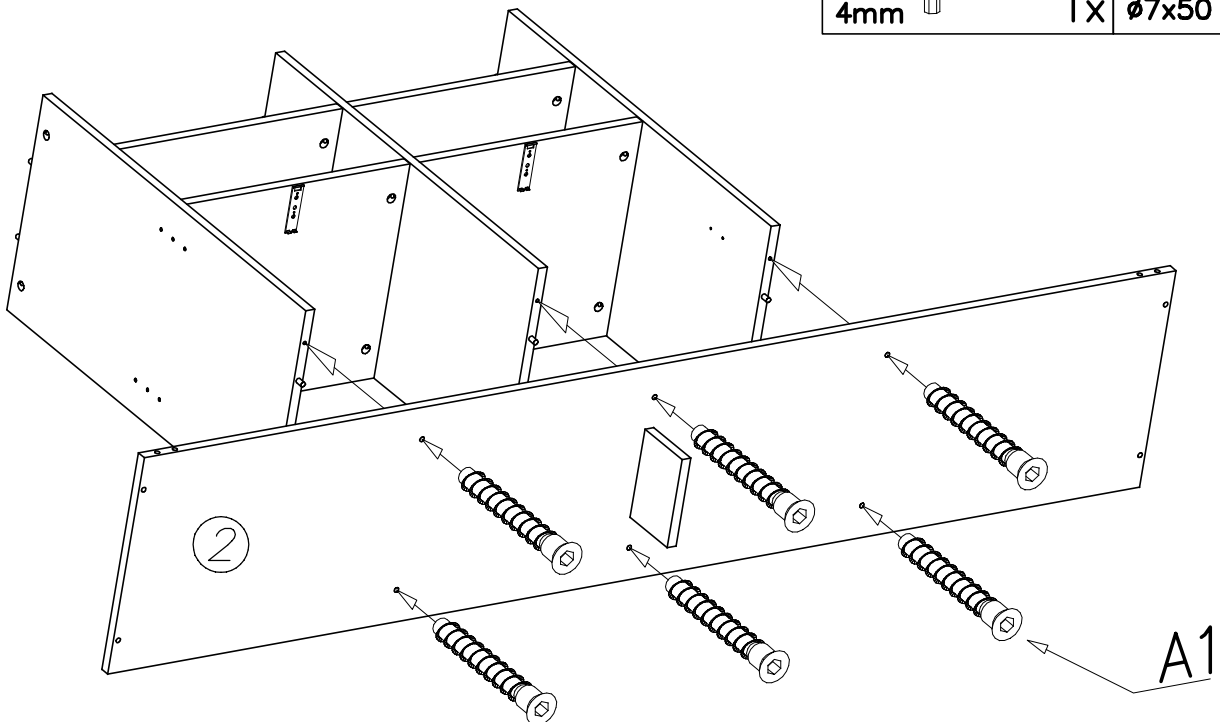
6

W2		A1	
4mm	1x	ø7x50	2x

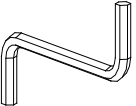



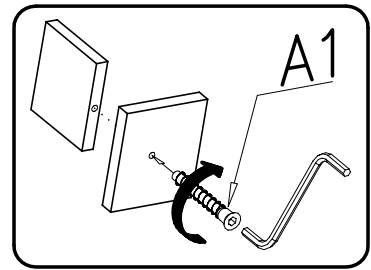
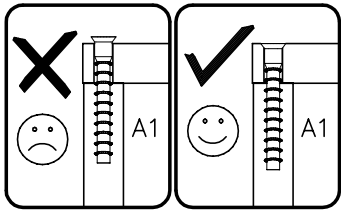
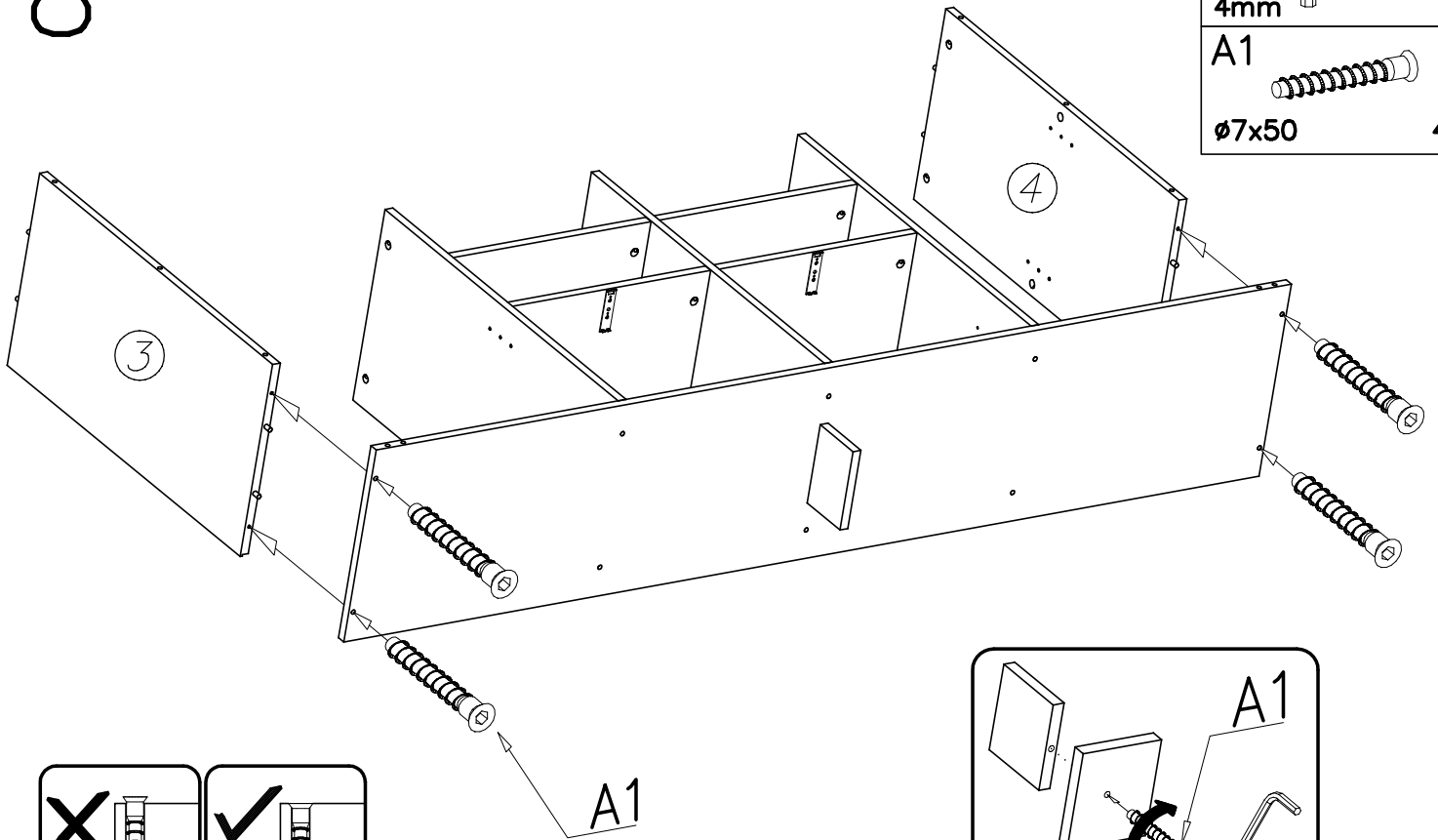
7

W2		A1	
4mm	1x	ø7x50	6x

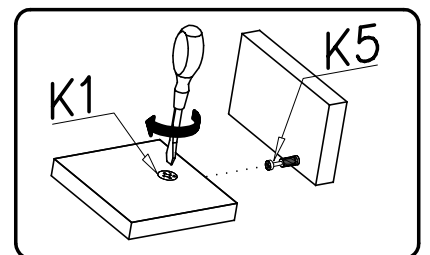
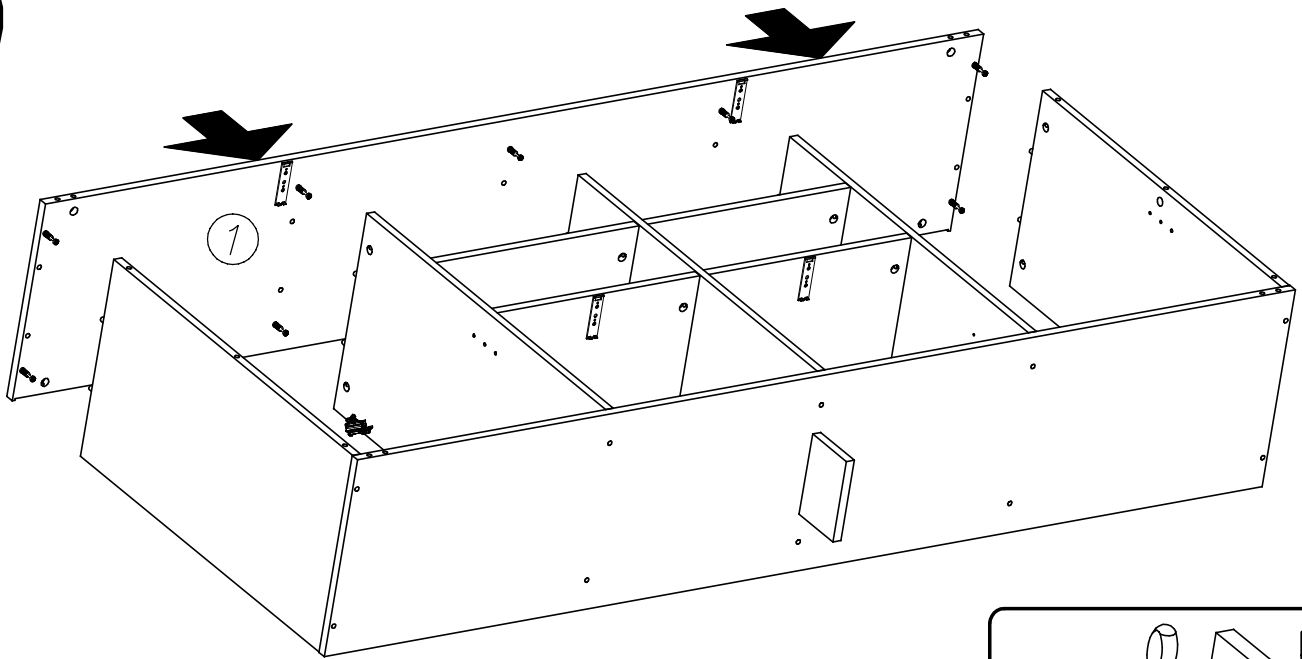


8

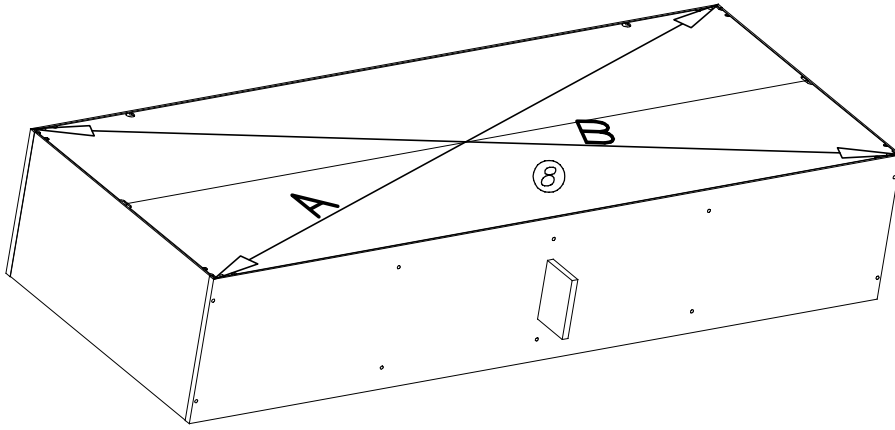
W2		1x
4mm		
A1		4x
Ø7x50		



9



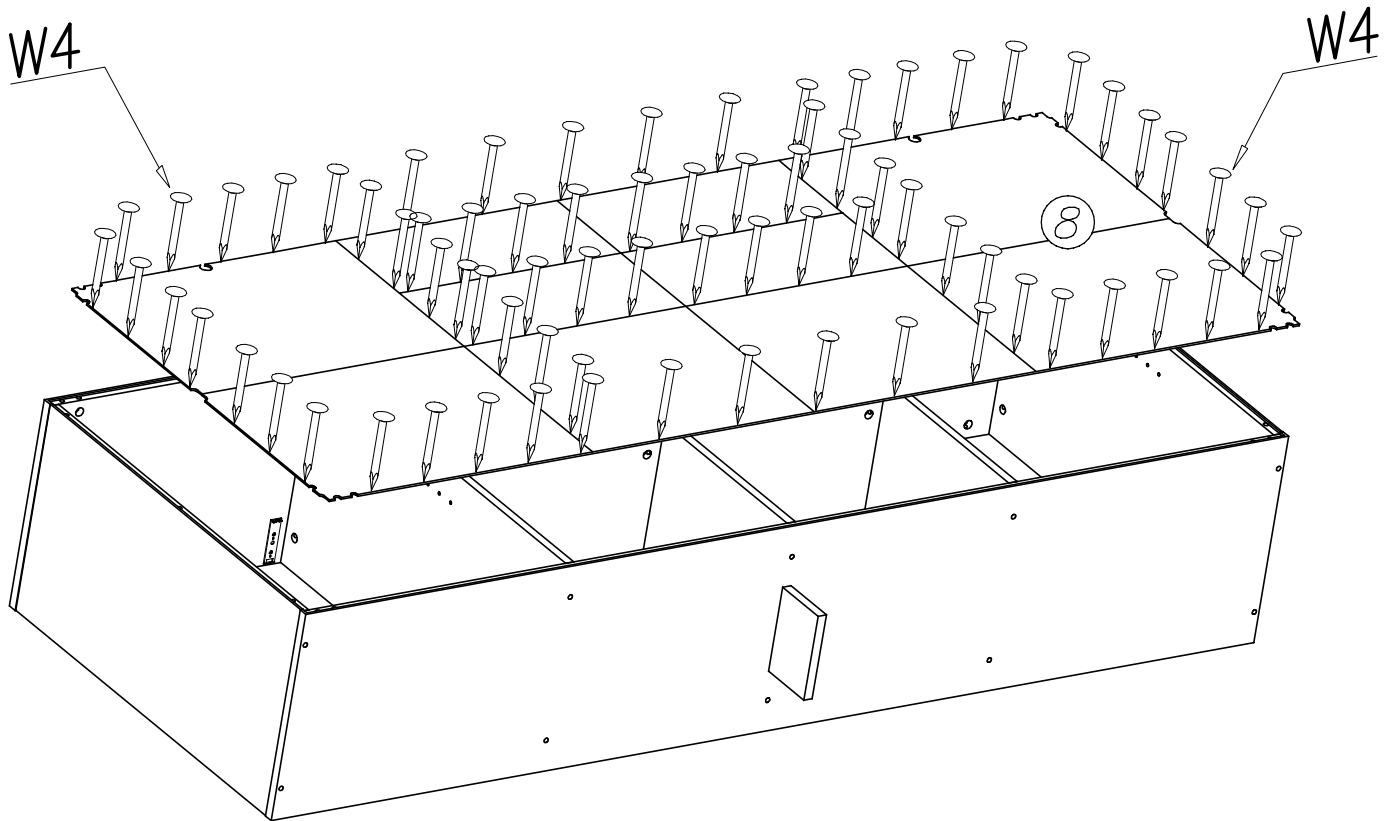
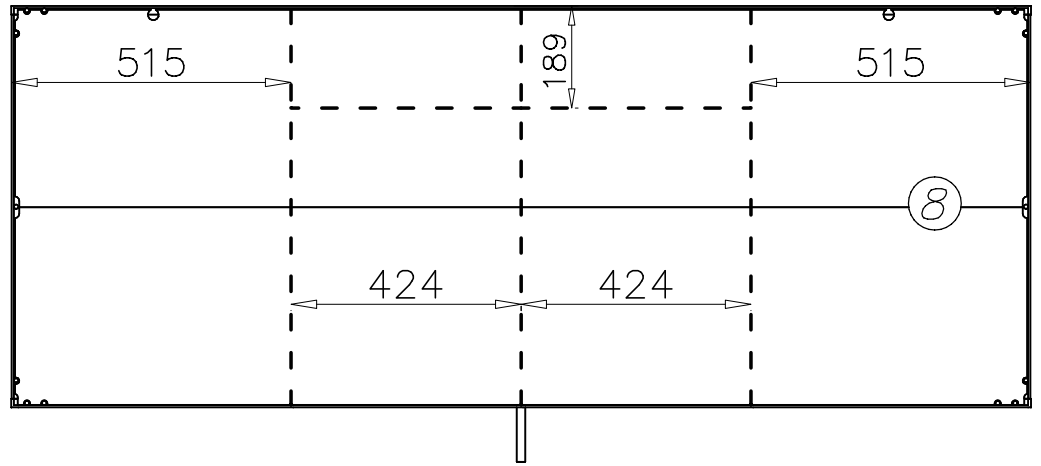
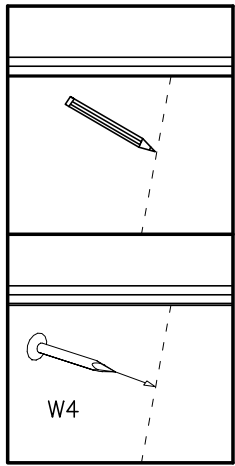
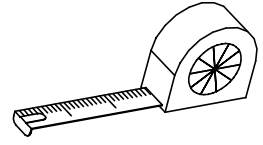
10




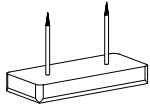
W4 95x

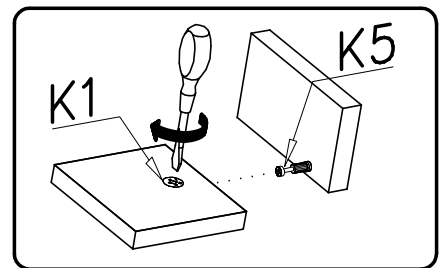
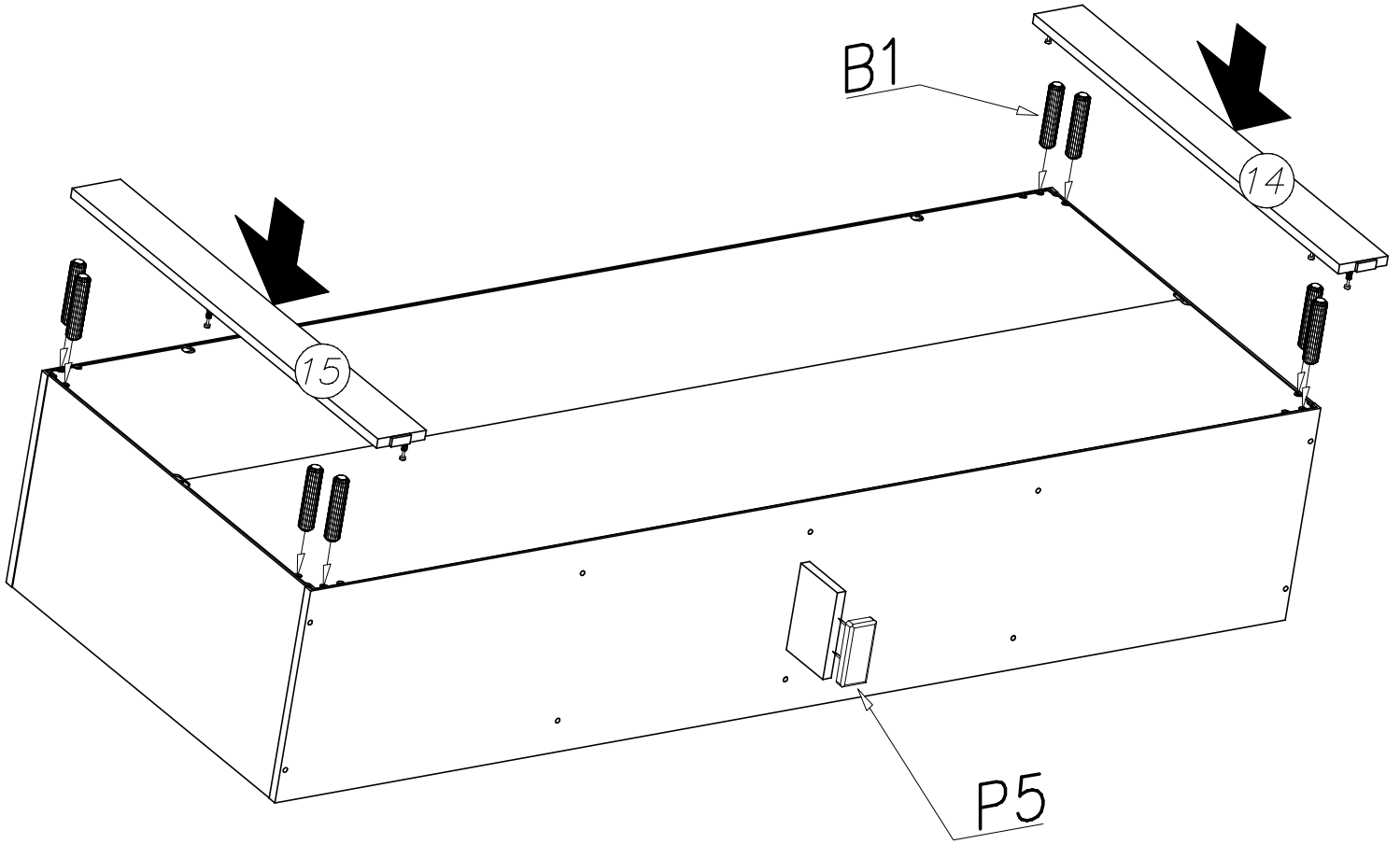


A = B

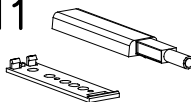



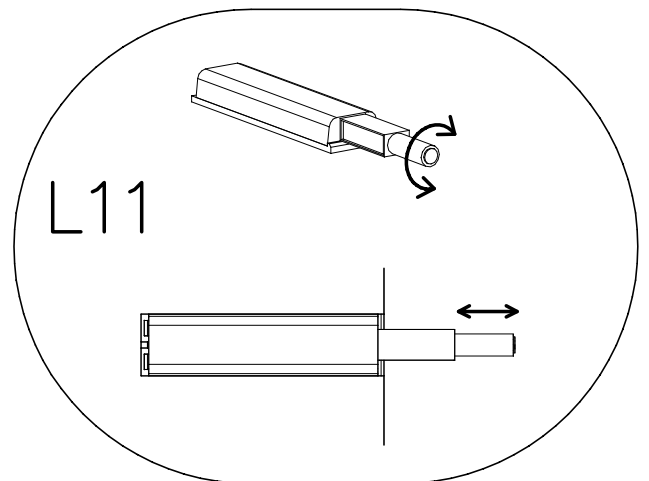
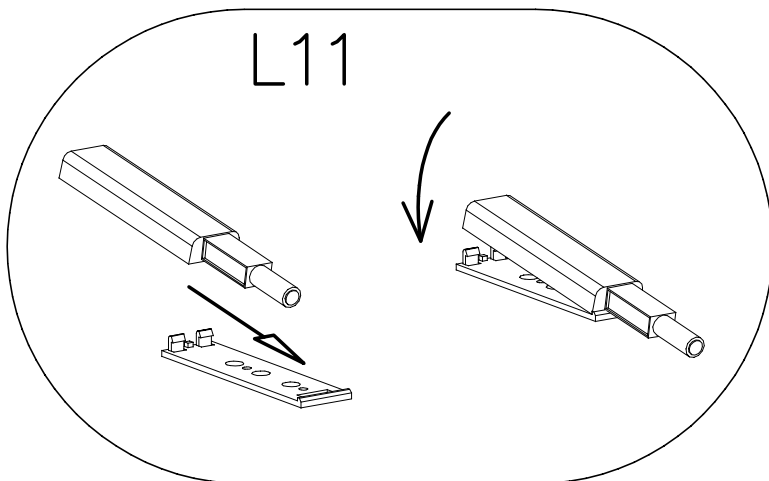
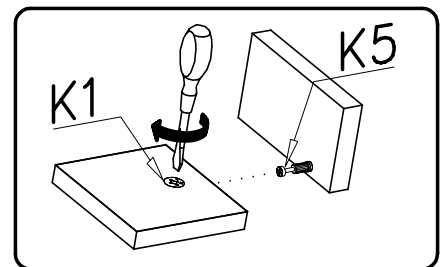
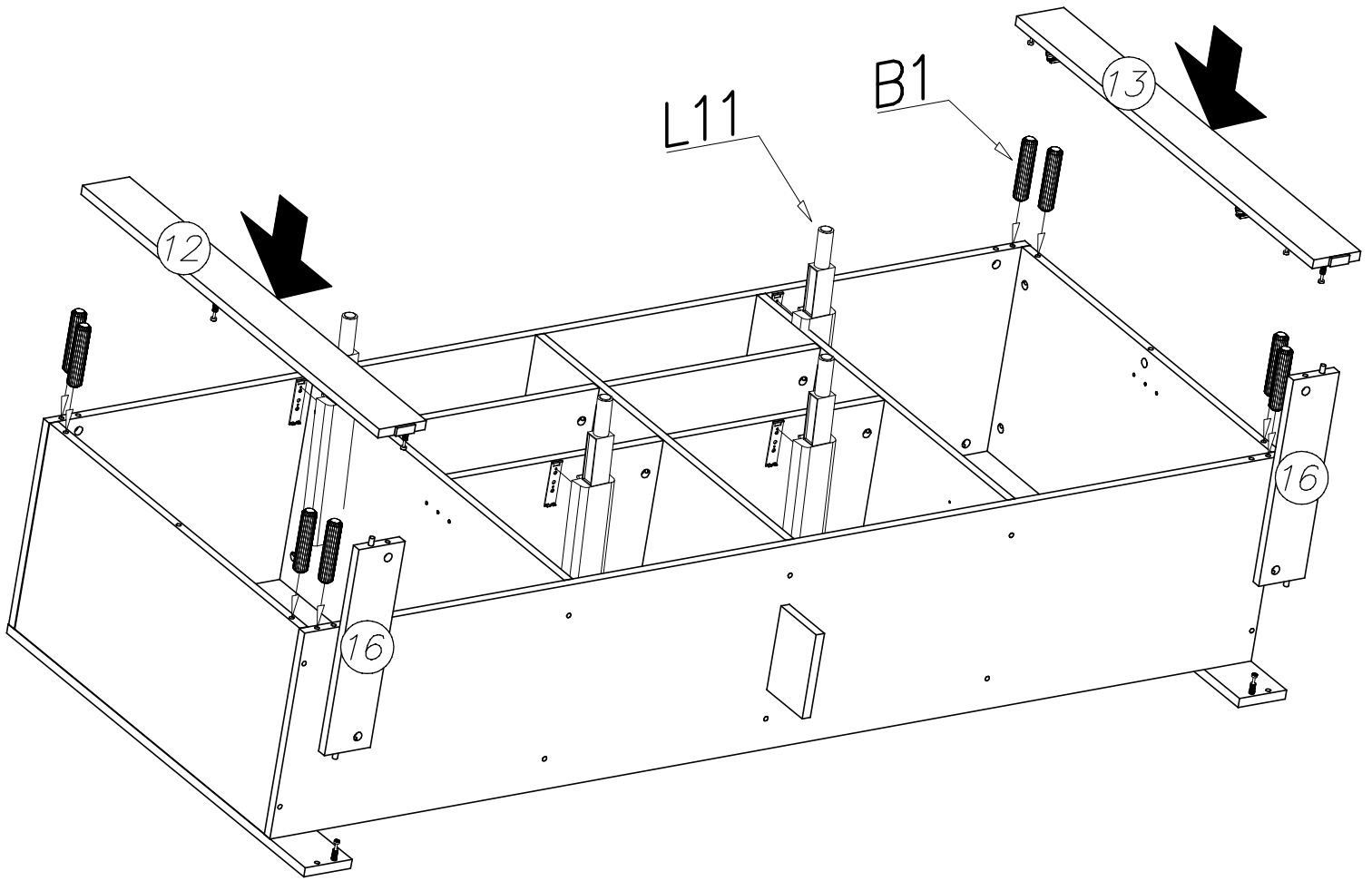
11

B1	
∅8x30	8x
P5	
	1x

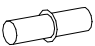



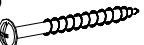


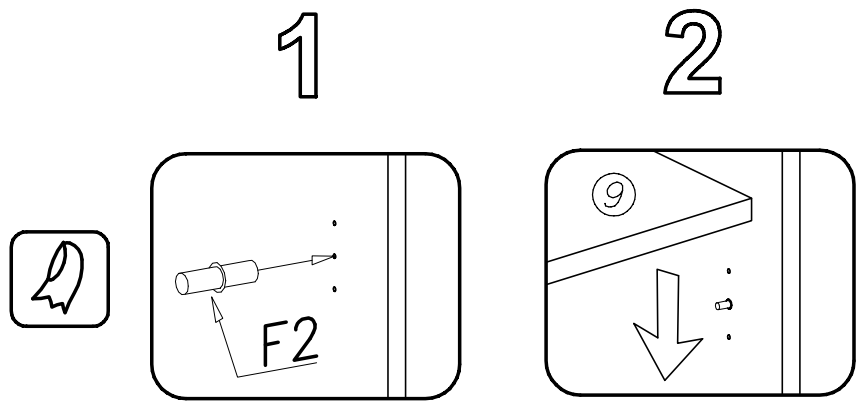
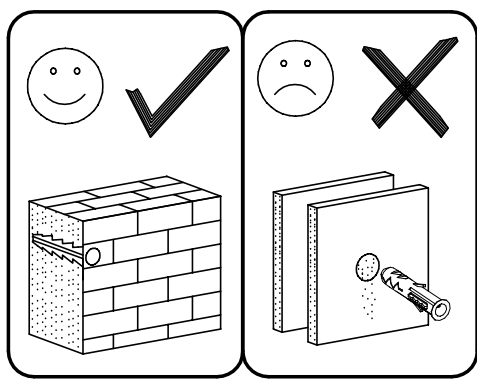
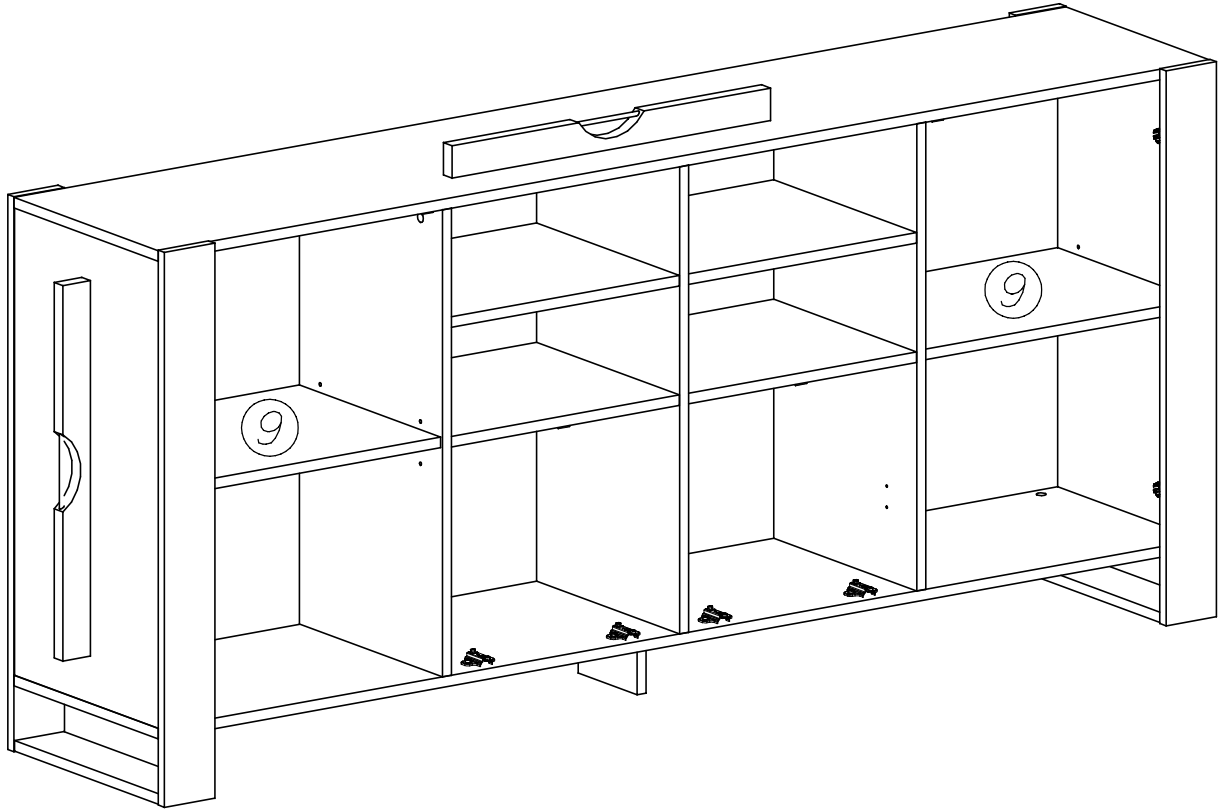
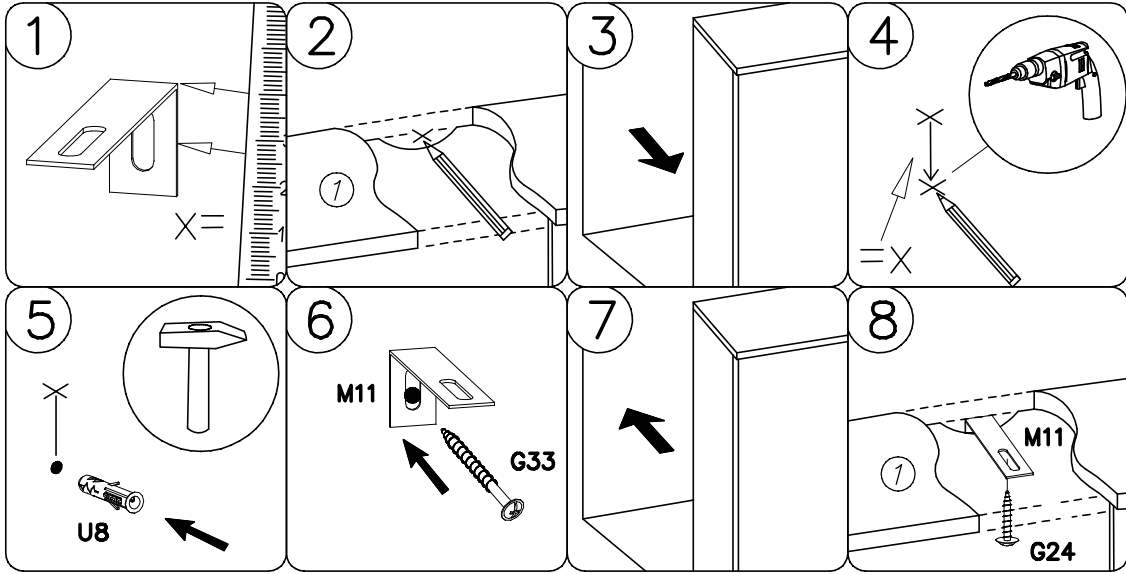
12

L11		B1	
	4x	ø8x30	8x

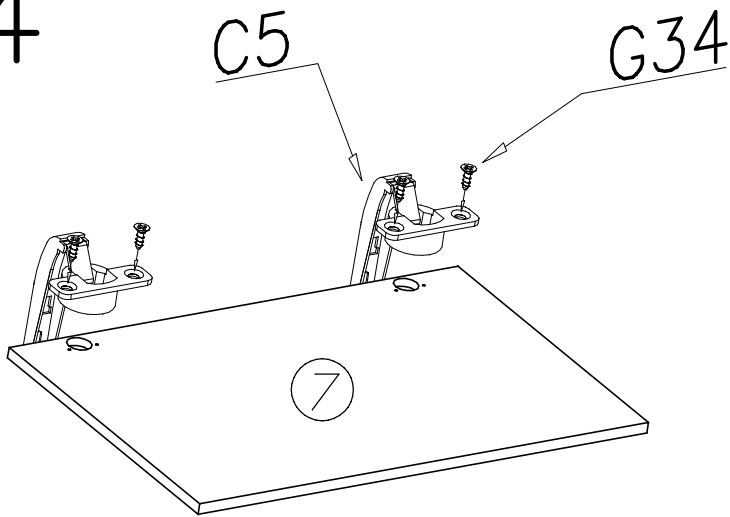


13

F2  8x	G24  4x16 4x	U8  4x Ø8x40 2x	M11  2x
			G33  4x40 2x

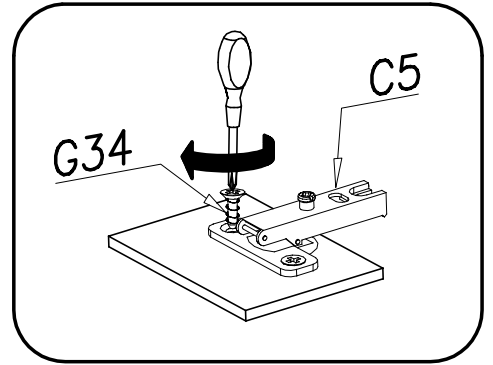
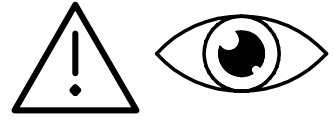


14

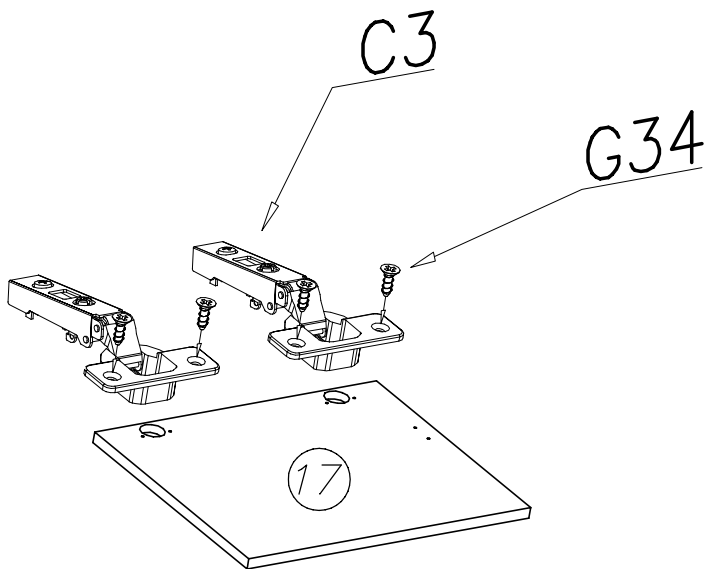


2x

G34		8x
3,5x16		
C5		4x
Z35RO		

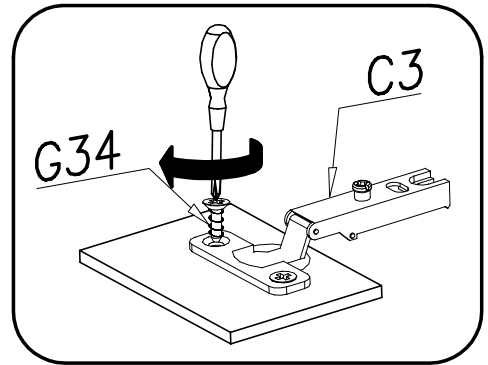
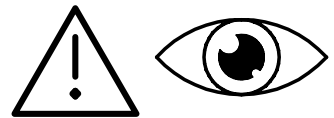


15

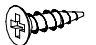



2x

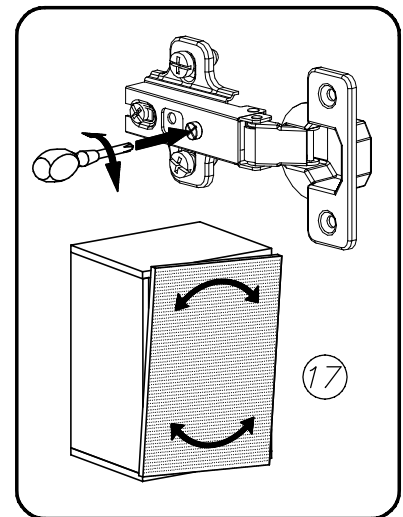
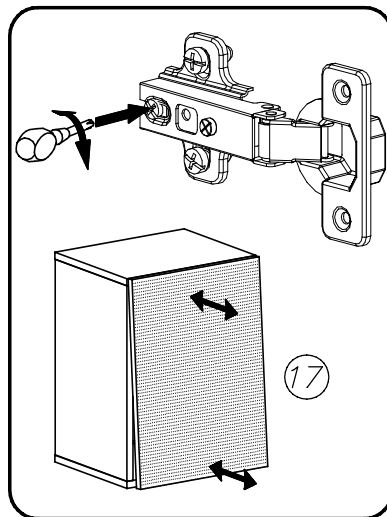
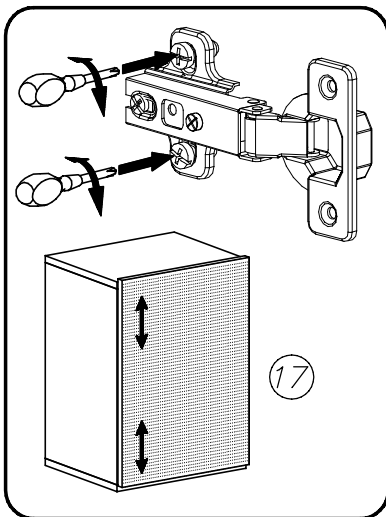
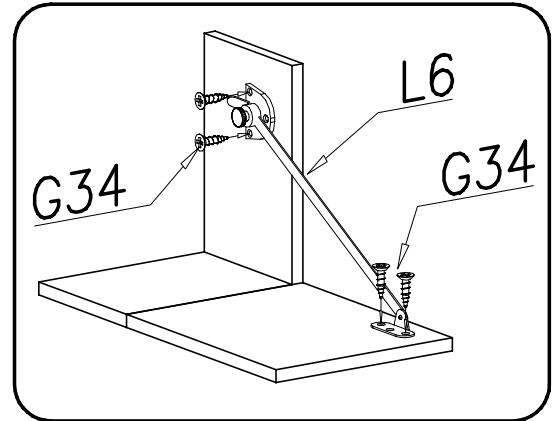
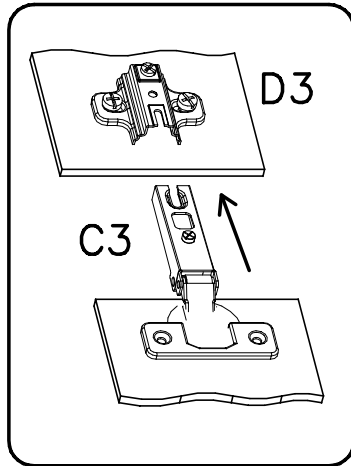
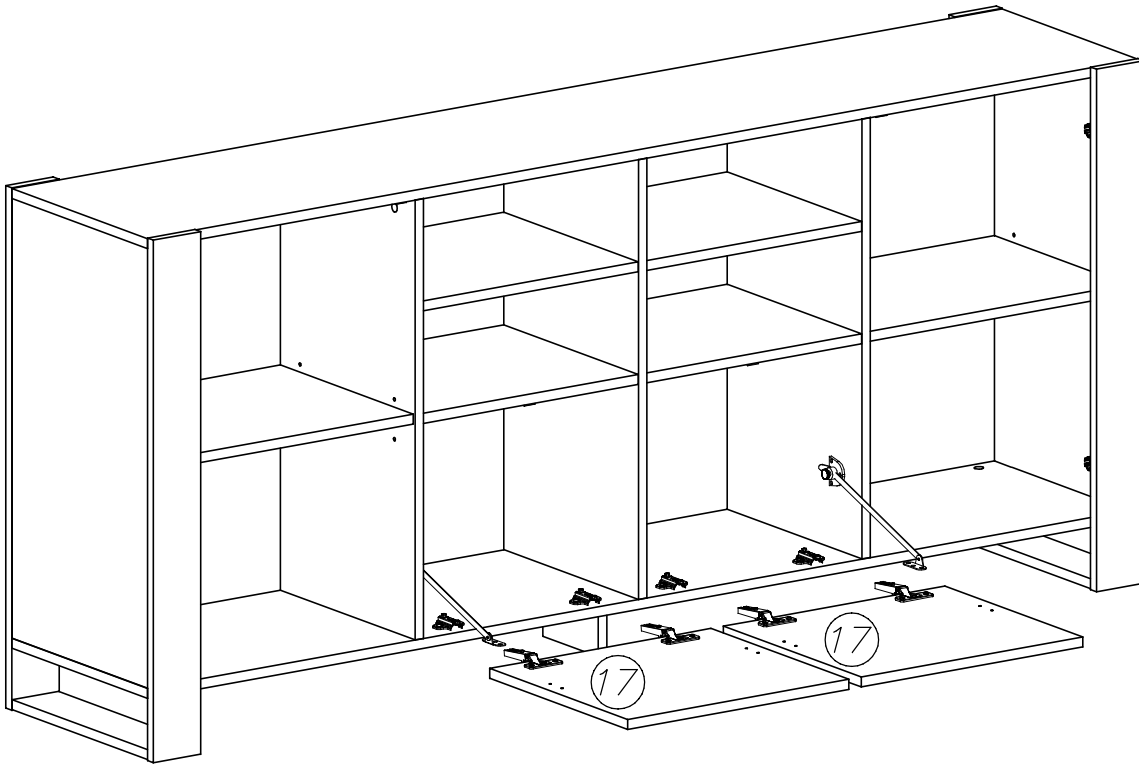
G34		8x
3,5x16		
C3		4x
Z35PR		



16

G34  3,5x16 8x

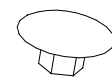
L6  2x



17

17

∅18



38x

