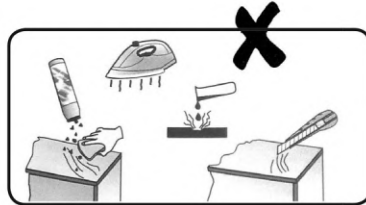
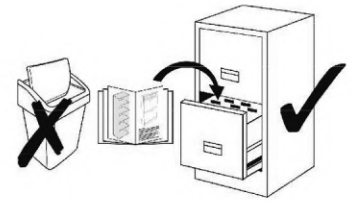
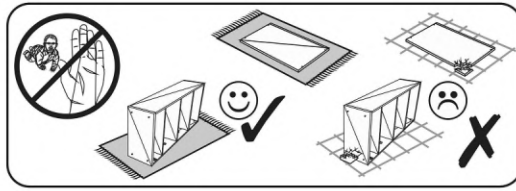


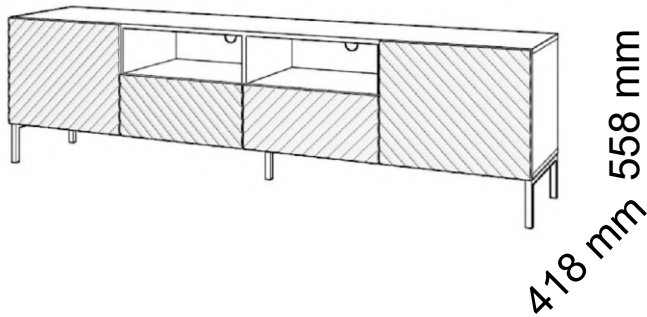
# SURF / WAVE - RTV 2D2S

SURF/WAVE RTV 2D2S - 31032023



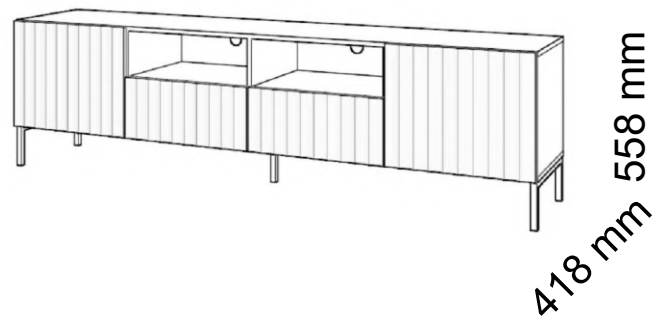
VER 1.

1996 mm



VER 2.

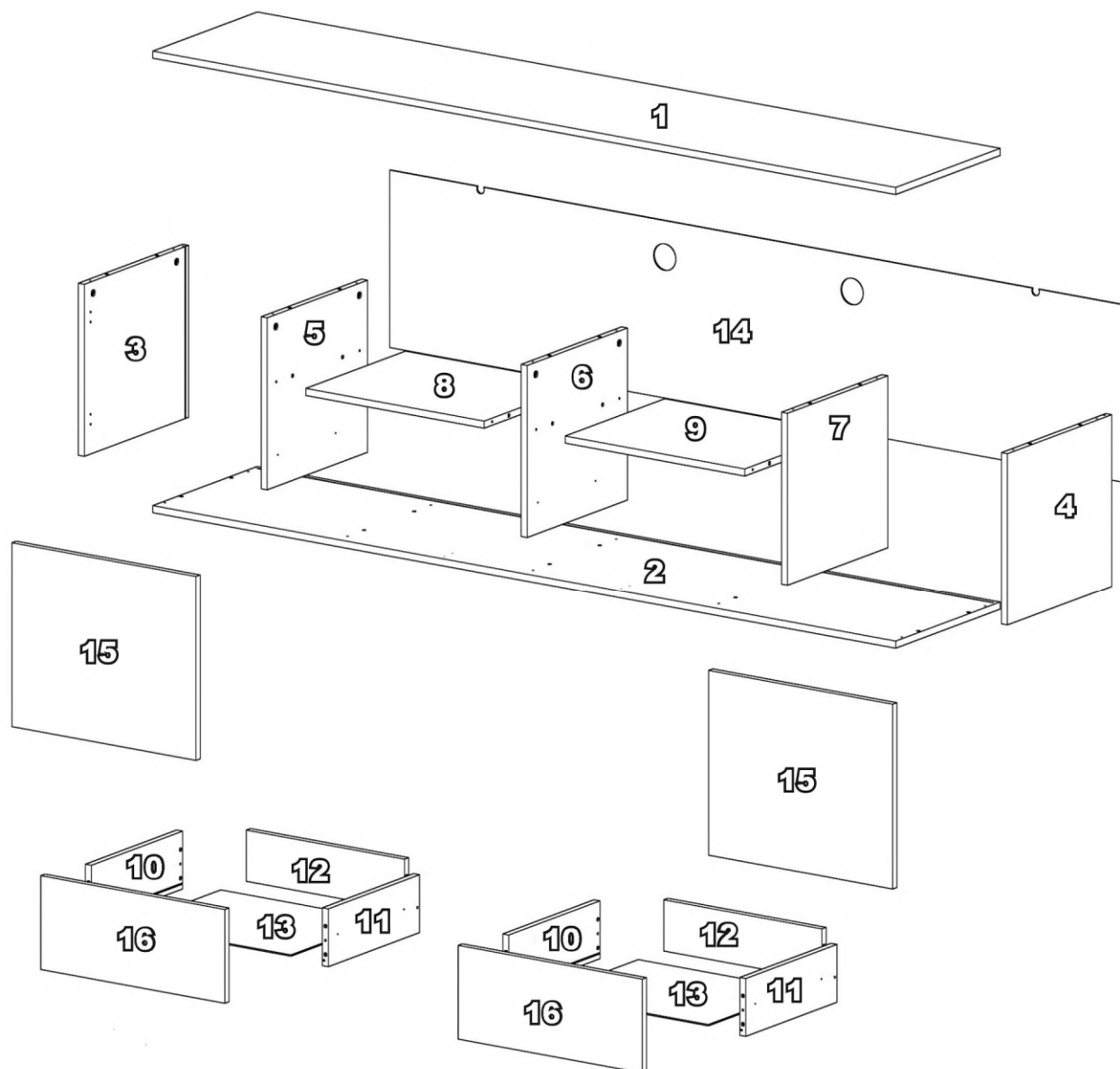
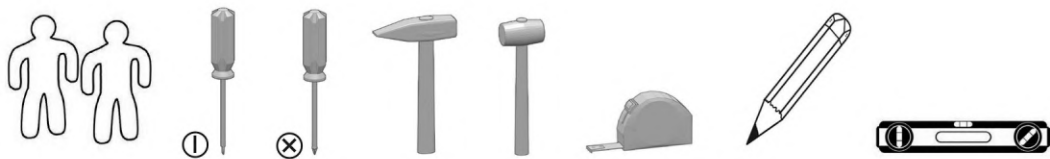
1996 mm



K4 2x 8x70	K32 40x 8x30	W1 14x 7/50	L1 1x 4mm	R29 18x 20/Ø6x11	R14 2x	R1 22x Ø15x12
W4 16x 3x16	W37 12x 4x16	P58 2kpl	W48 8x 3,5x13	Z22 4x	Z23 4x	8x
X30 2x	X31 2x	H4 22x	W47 12x 3x16	B40 2x	B43+B44 2x+2x	Z67/Z602 22x+22x Ø18
N396 2x 396x150x20	N80 1x 80x150x20	W12 6x 4x30	W9 4x 4x16			

# SURF / WAVE - RTV 2D2S

SURF/WAVE RTV 2D2S - 31032023

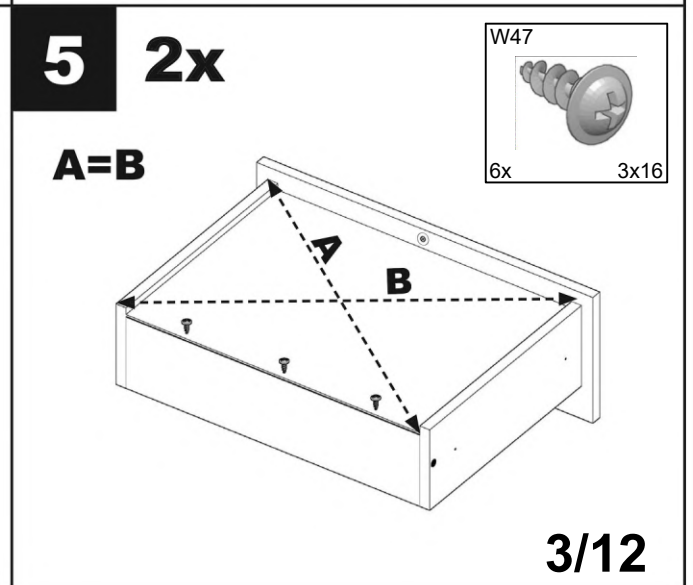
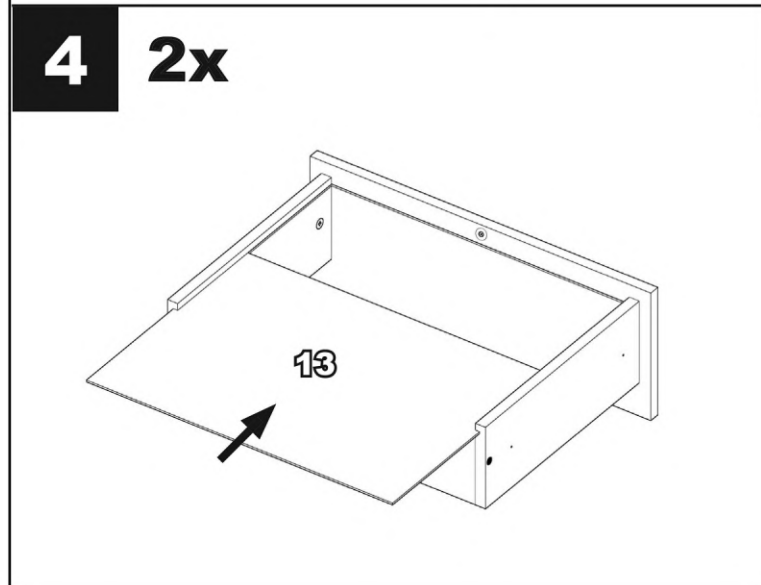
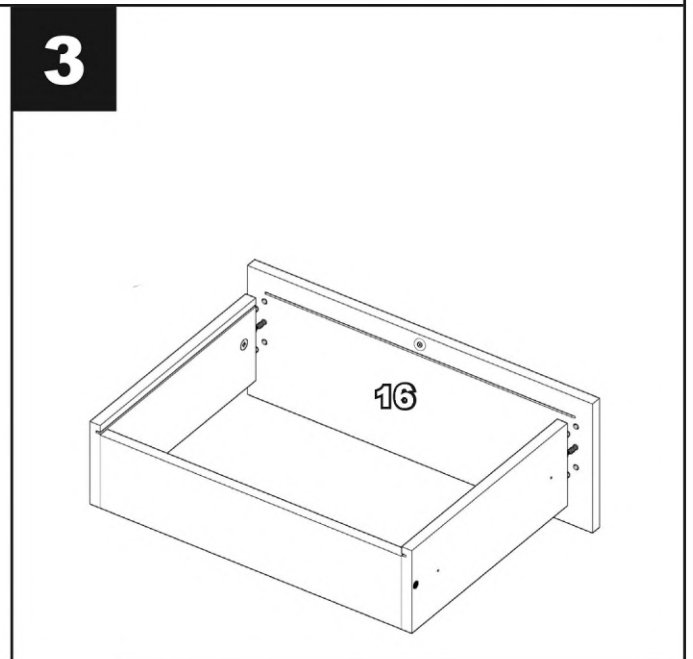
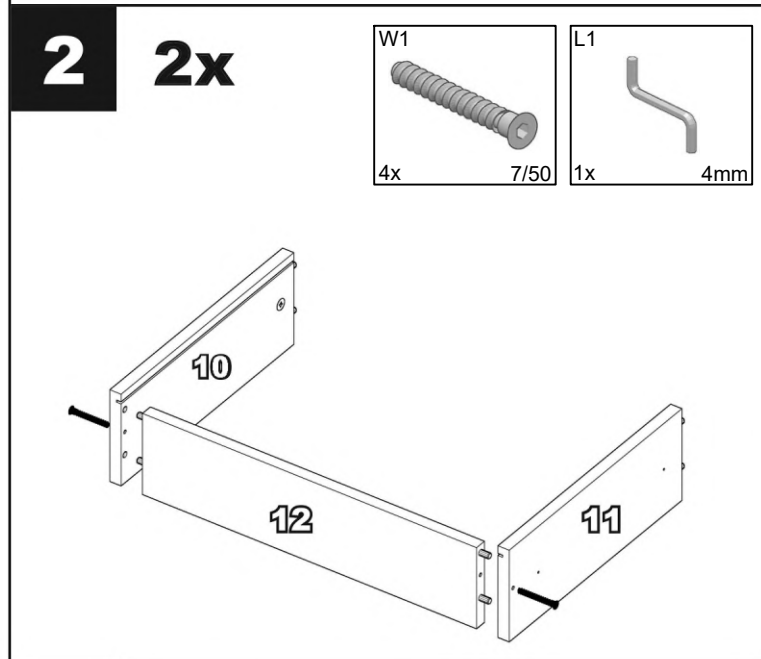
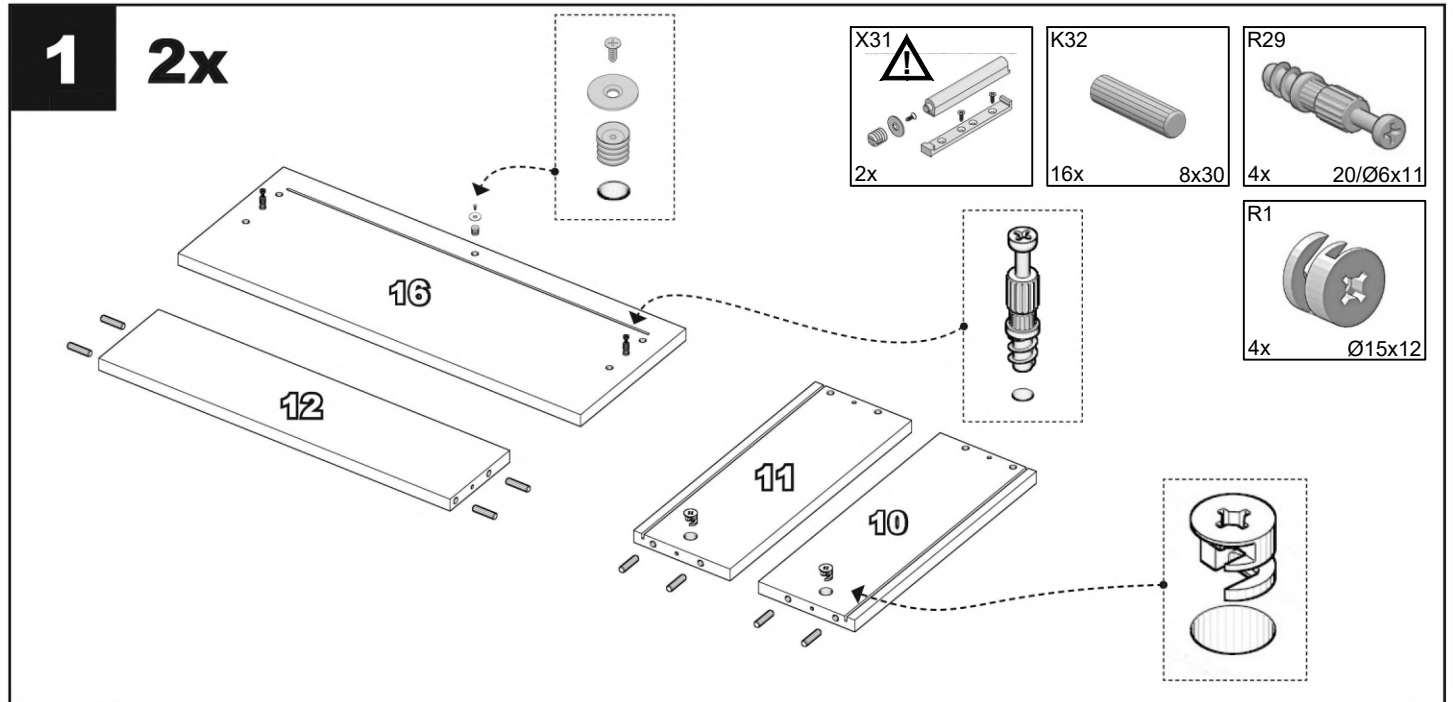


REP	DIM	QTE	package
1	1996 x 400 x 16	1	1/2
2	1996 x 400 x 16	1	1/2
3	376 x 400 x 16	1	2/2
4	376 x 400 x 16	1	2/2
5	376 x 380 x 16	1	2/2
6	376 x 380 x 16	1	2/2
7	376 x 380 x 16	1	2/2
8	483 x 380 x 16	1	1/2

REP	DIM	QTE	package
9	483 x 380 x 16	1	1/2
10	360 x 130 x 16	2	2/2
11	360 x 130 x 16	2	2/2
12	426 x 114 x 16	2	1/2
13	440 x 364 x 3,2	2	2/2
14	1976 x 390 x 3,2	1	1/2
15	405 x 495 x 18	2	fronty
16	225 x 495 x 18	2	fronty

# SURF / WAVE - RTV 2D2S

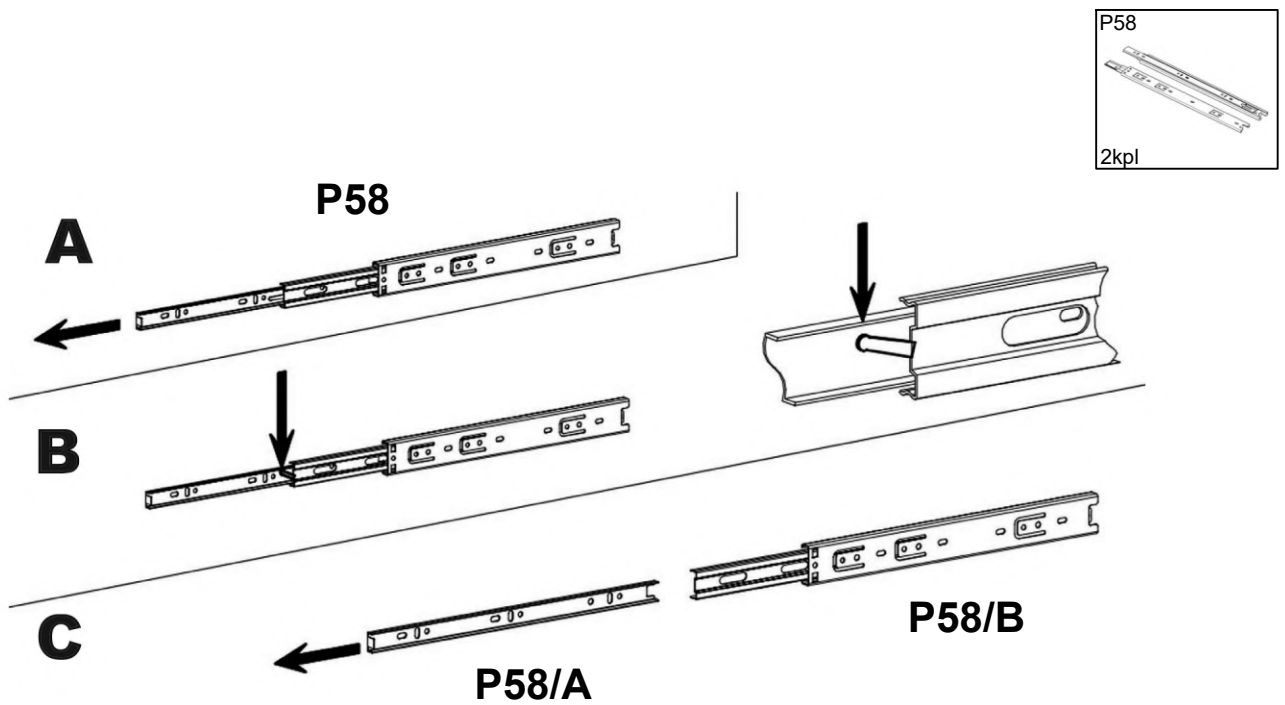
SURF/WAVE RTV 2D2S - 31032023



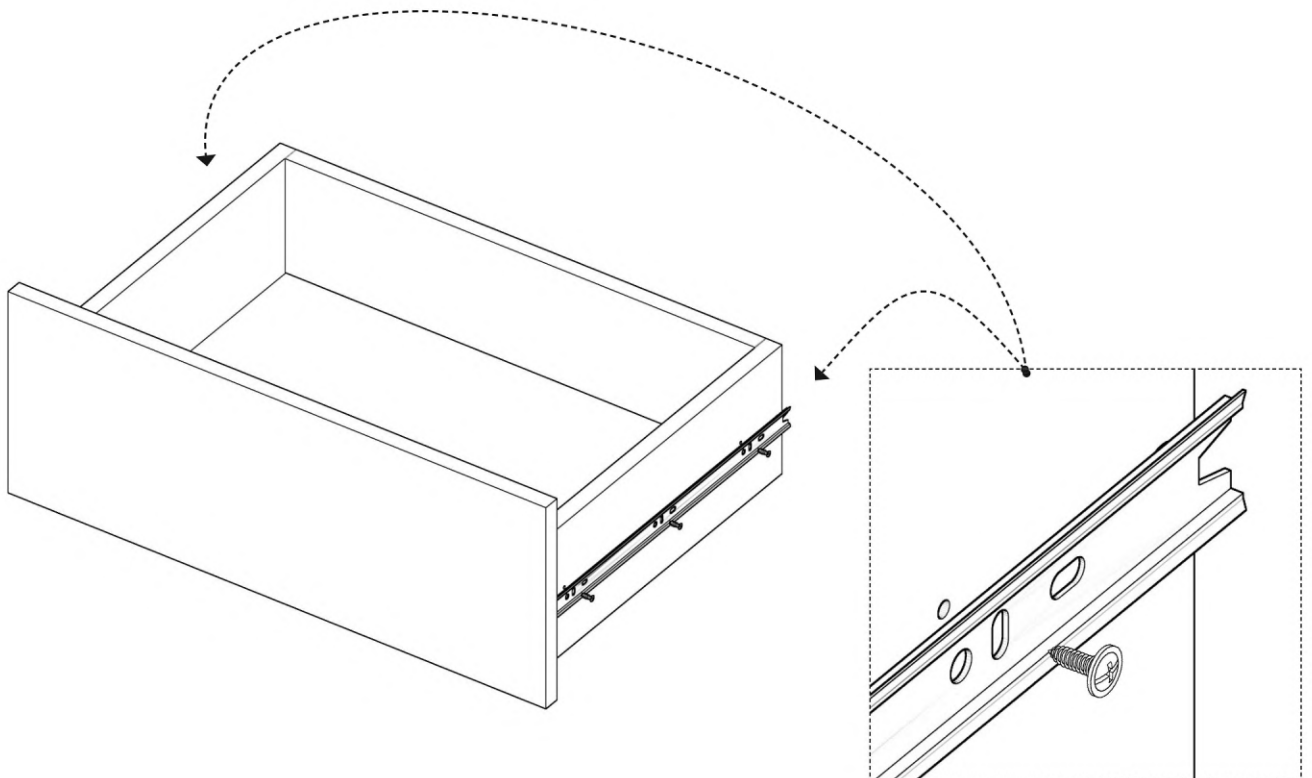
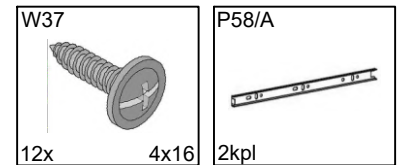
# SURF / WAVE - RTV 2D2S

SURF/WAVE RTV 2D2S - 31032023

**6**



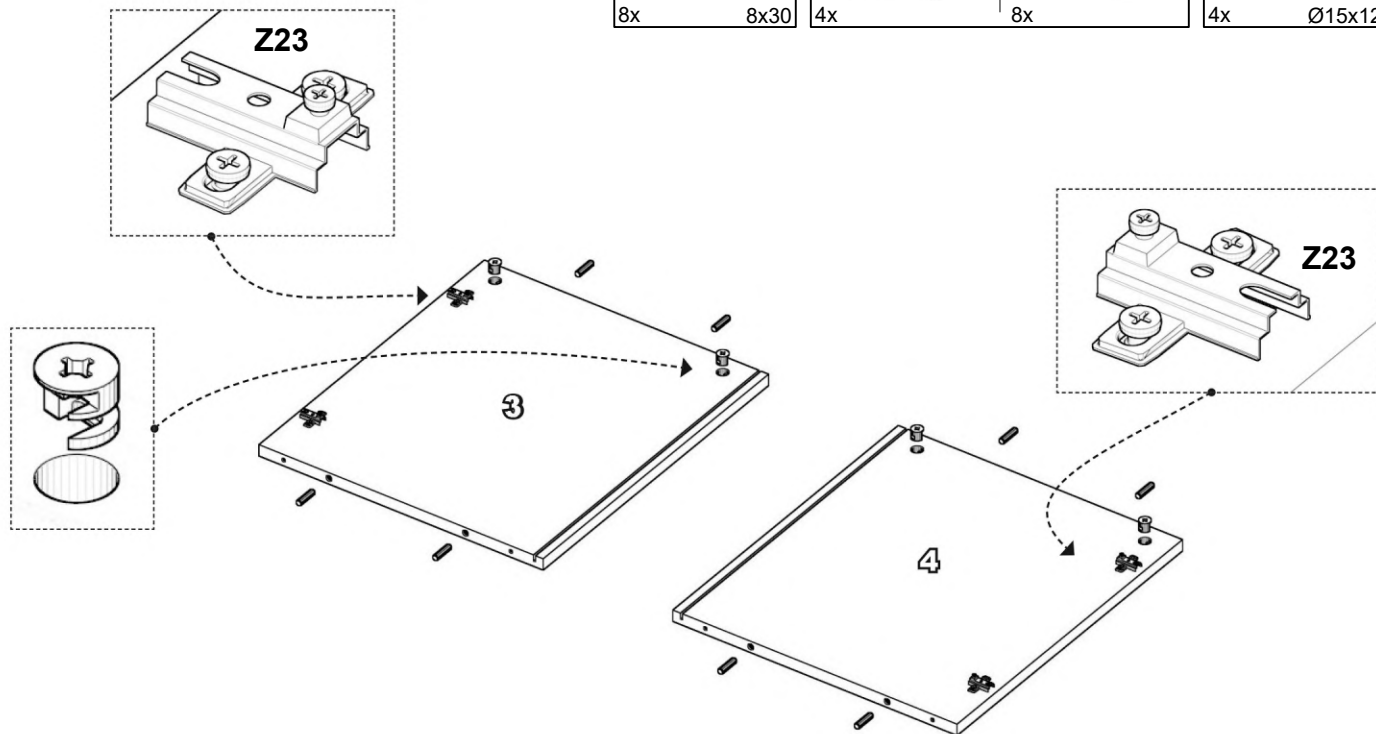
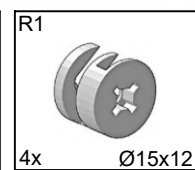
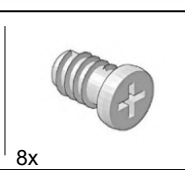
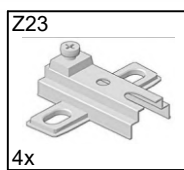
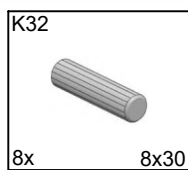
**7** 2x



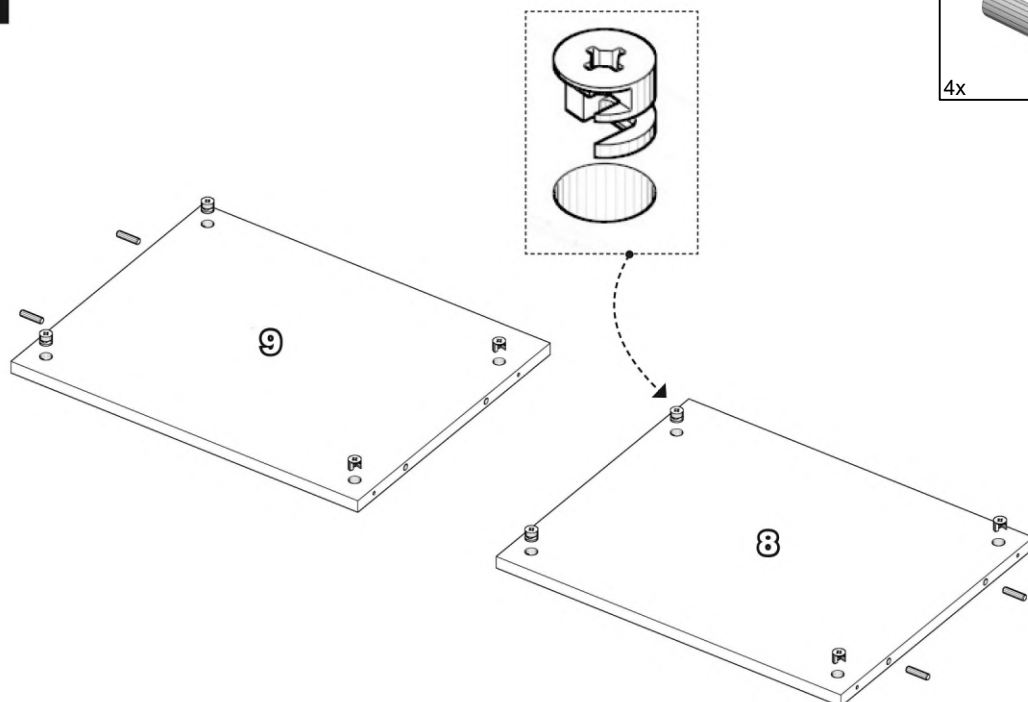
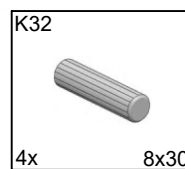
# SURF / WAVE - RTV 2D2S

SURF/WAVE RTV 2D2S - 31032023

8



9

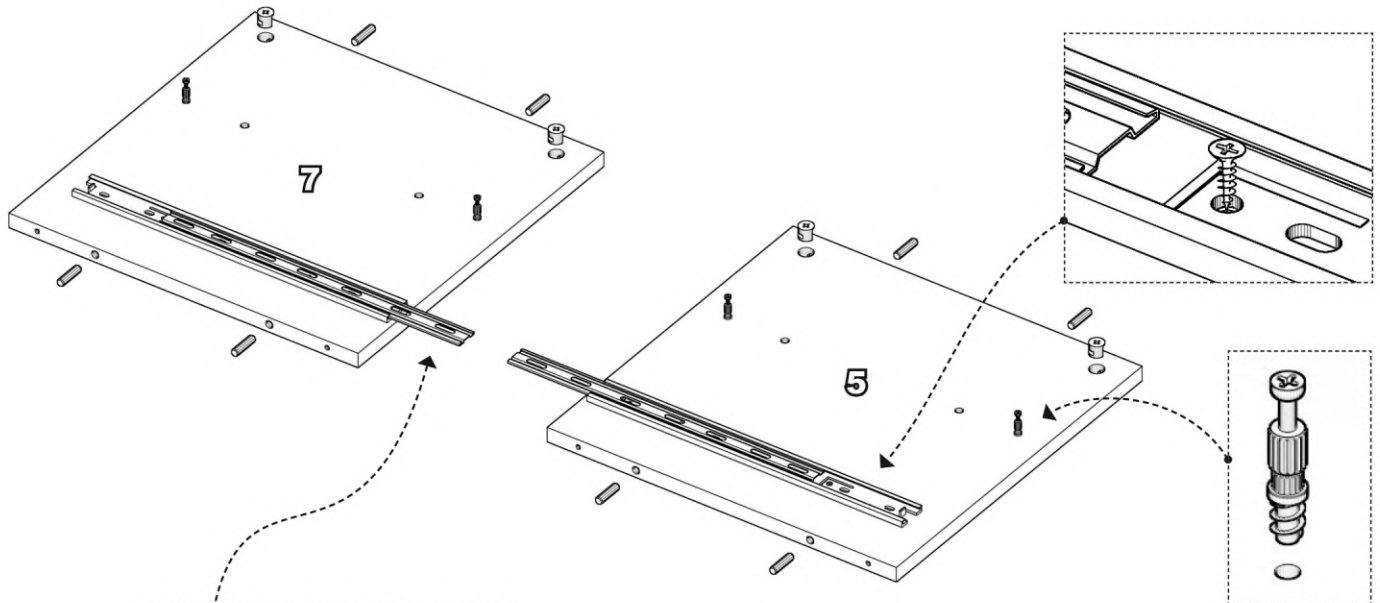
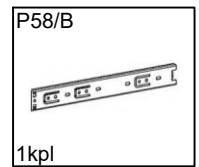
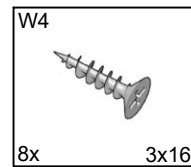
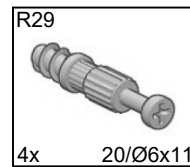
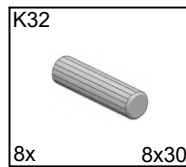
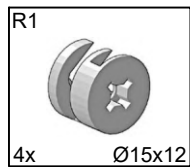




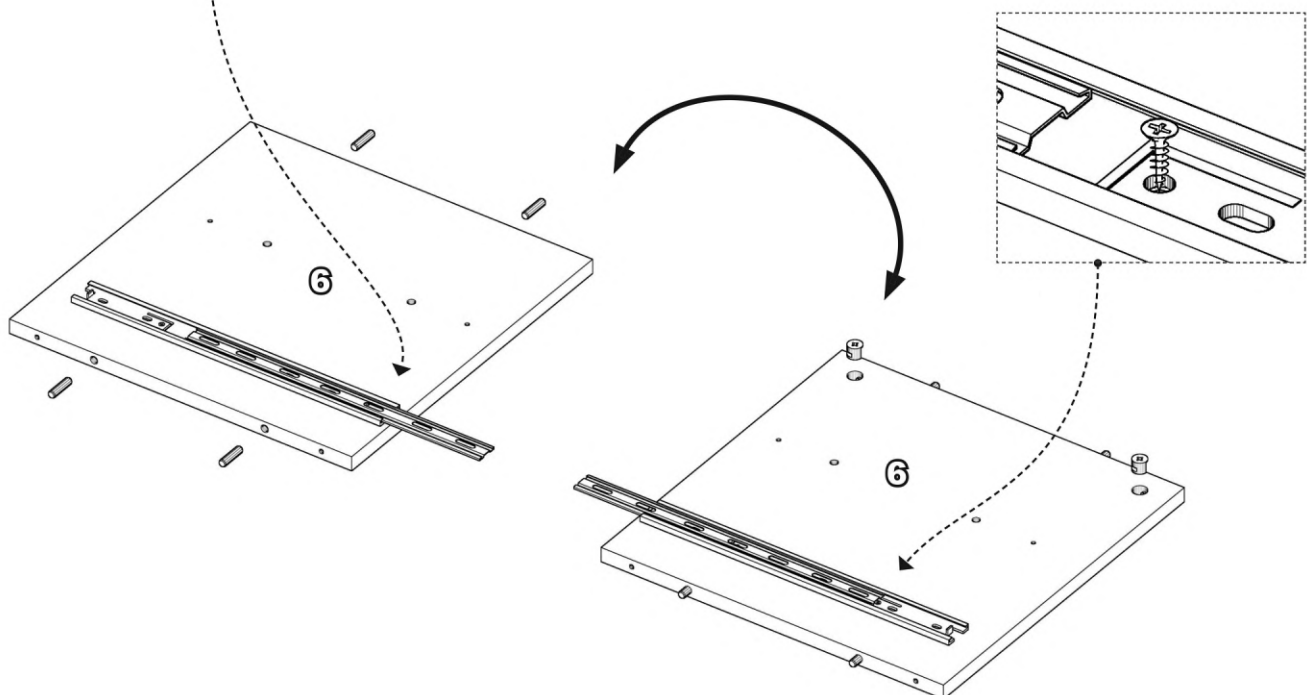
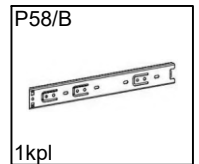
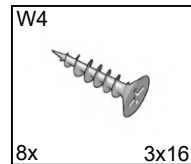
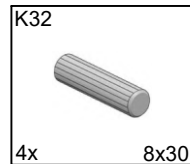
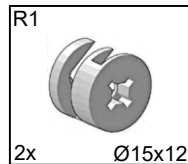
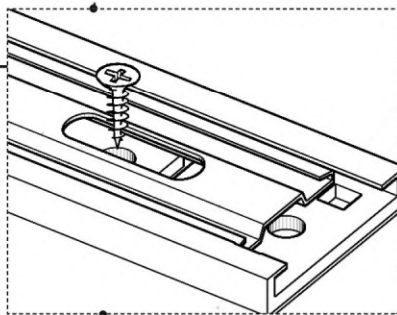
# SURF / WAVE - RTV 2D2S

SURF/WAVE RTV 2D2S - 31032023

## 10



## 11

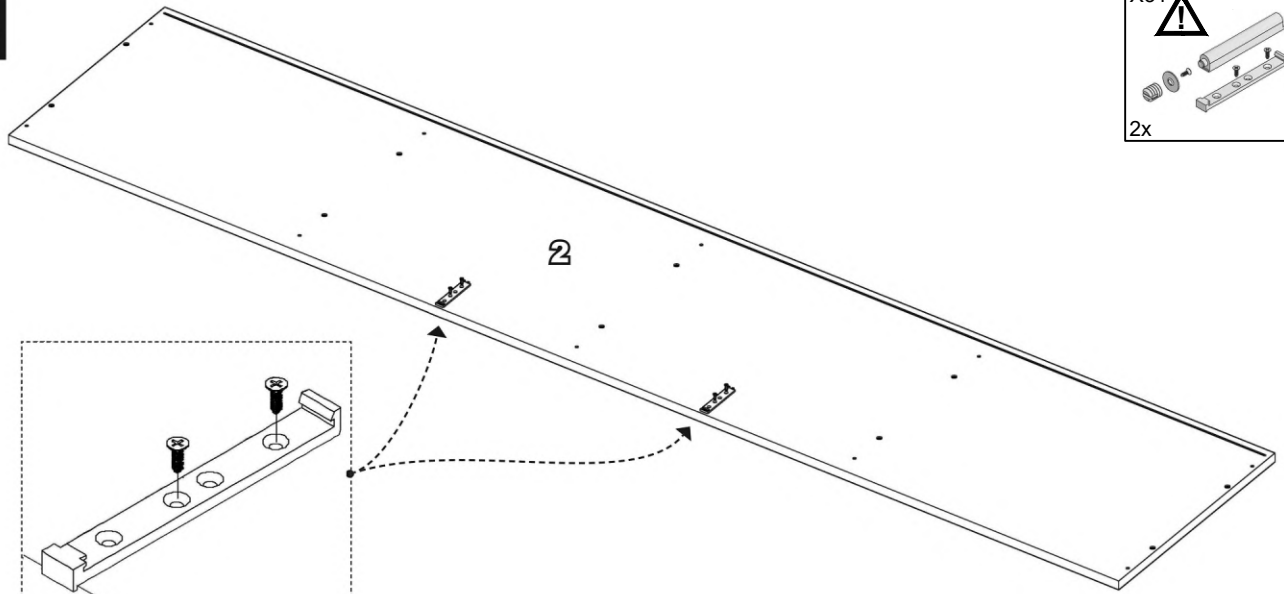


6/12

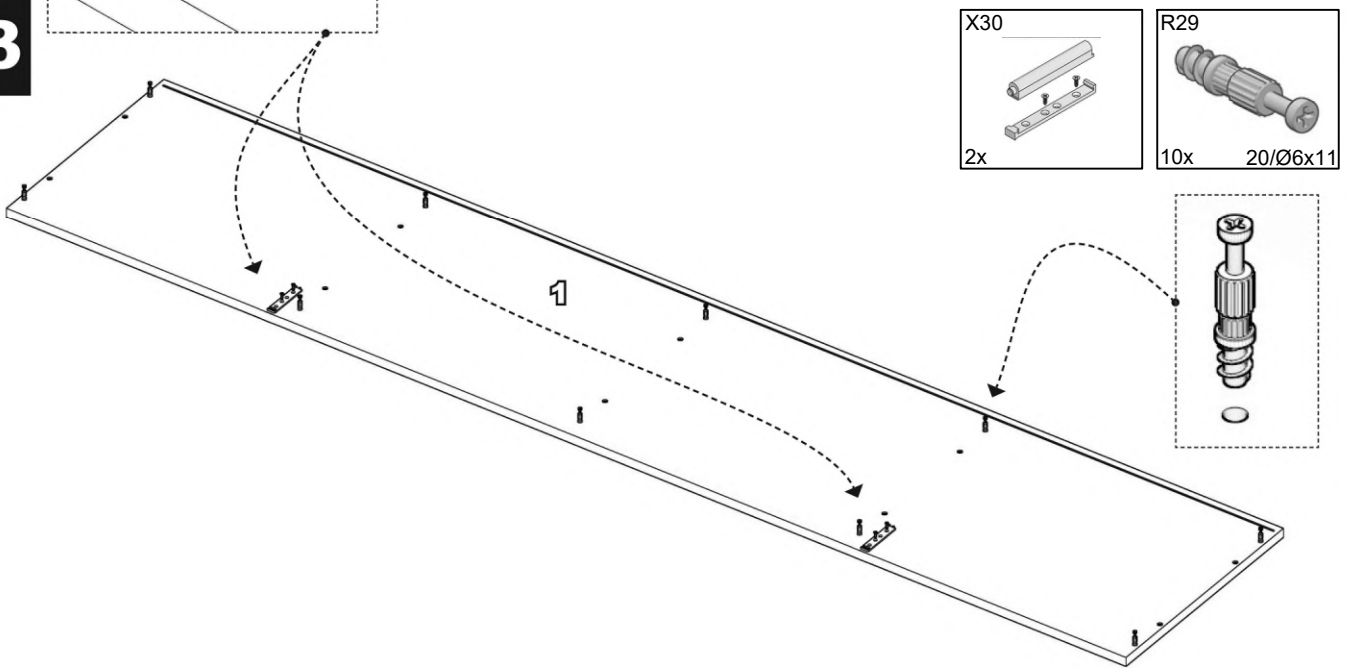
# SURF / WAVE - RTV 2D2S

SURF/WAVE RTV 2D2S - 31032023

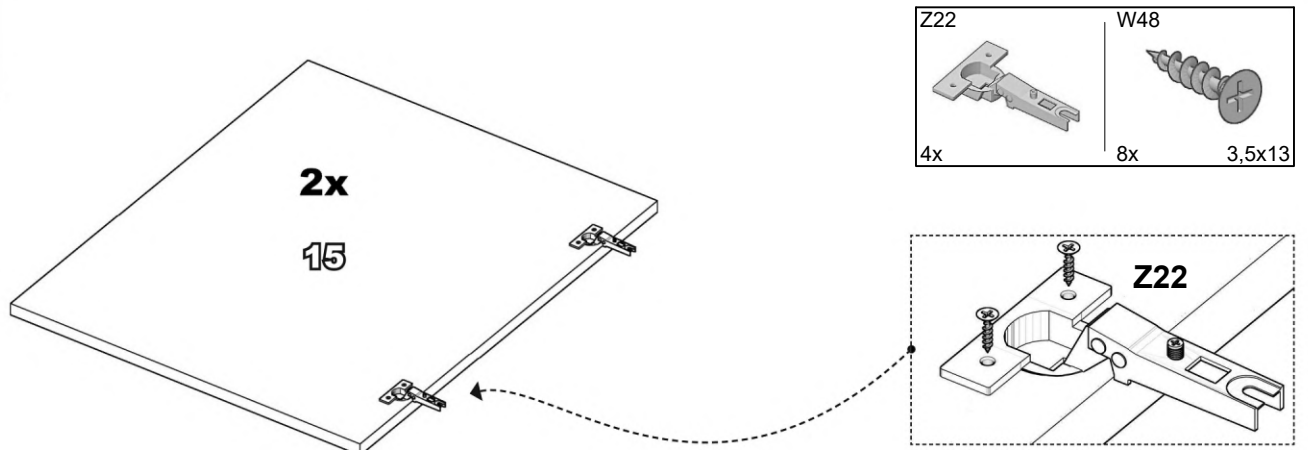
**12**



**13**



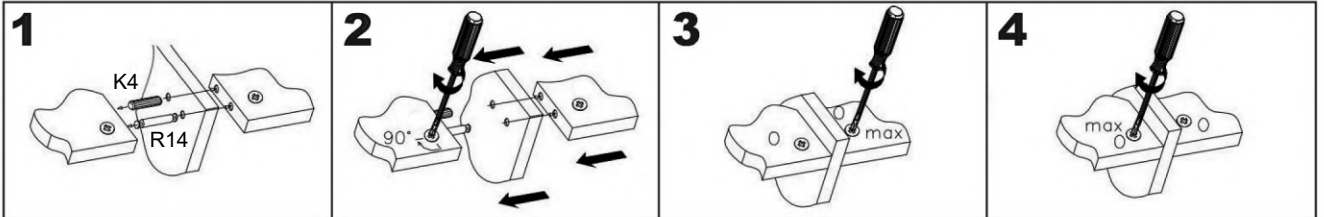
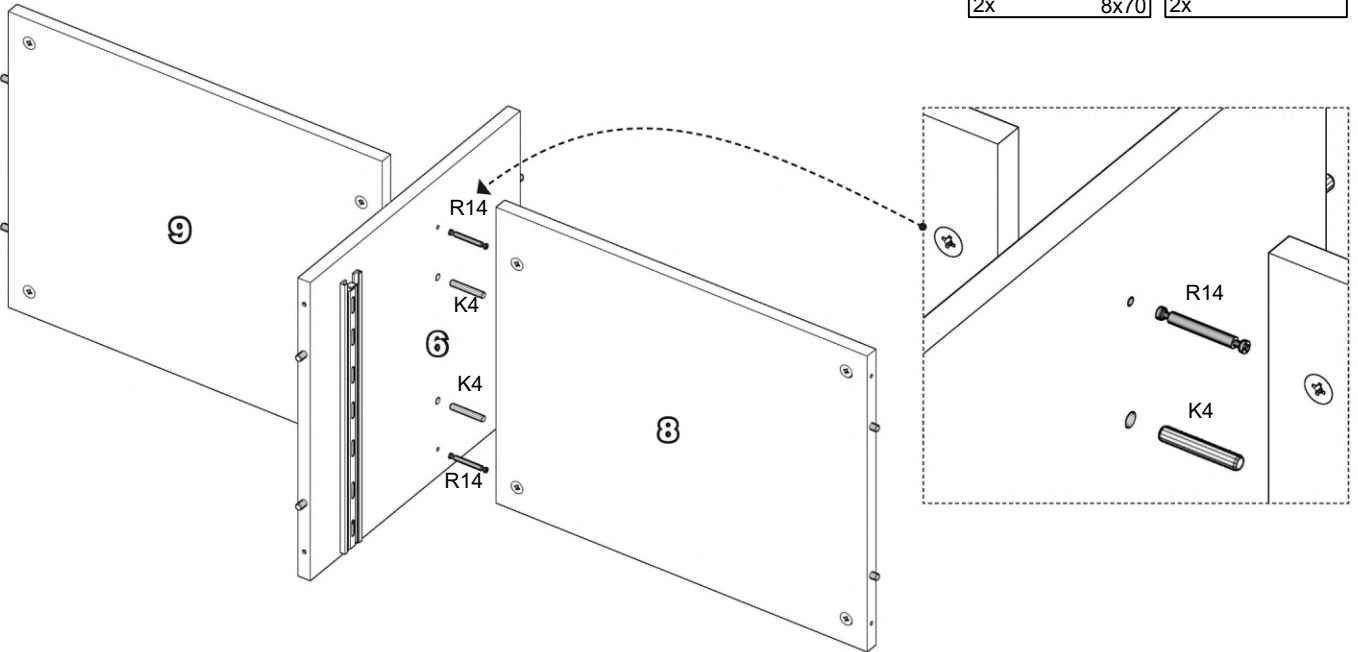
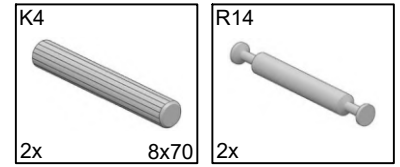
**14**



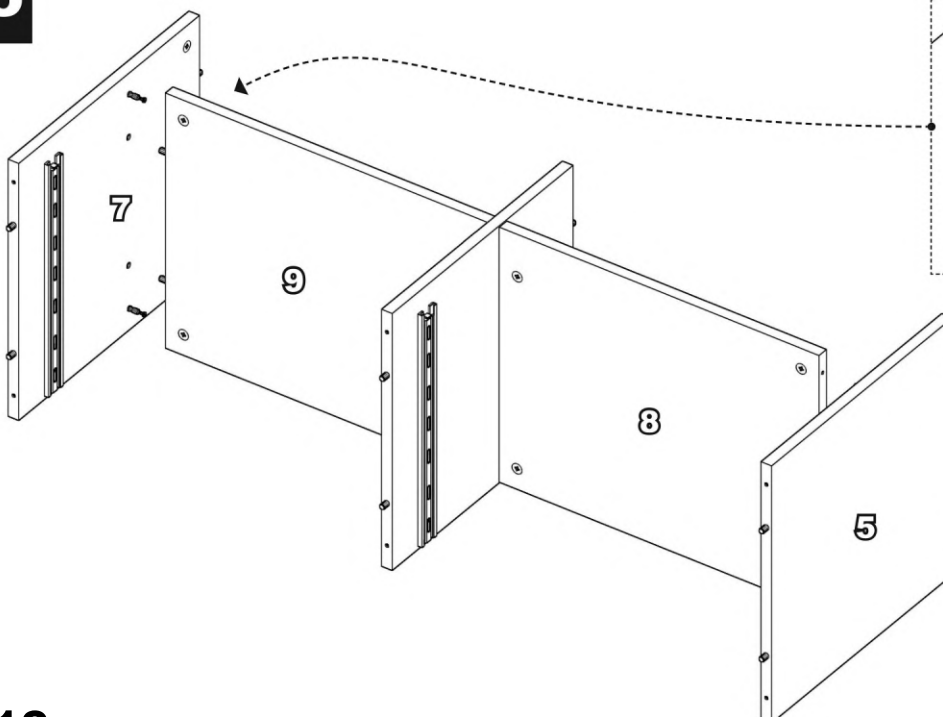
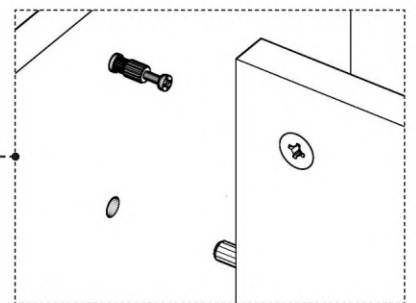
# SURF / WAVE - RTV 2D2S

SURF/WAVE RTV 2D2S - 31032023

## 15



## 16

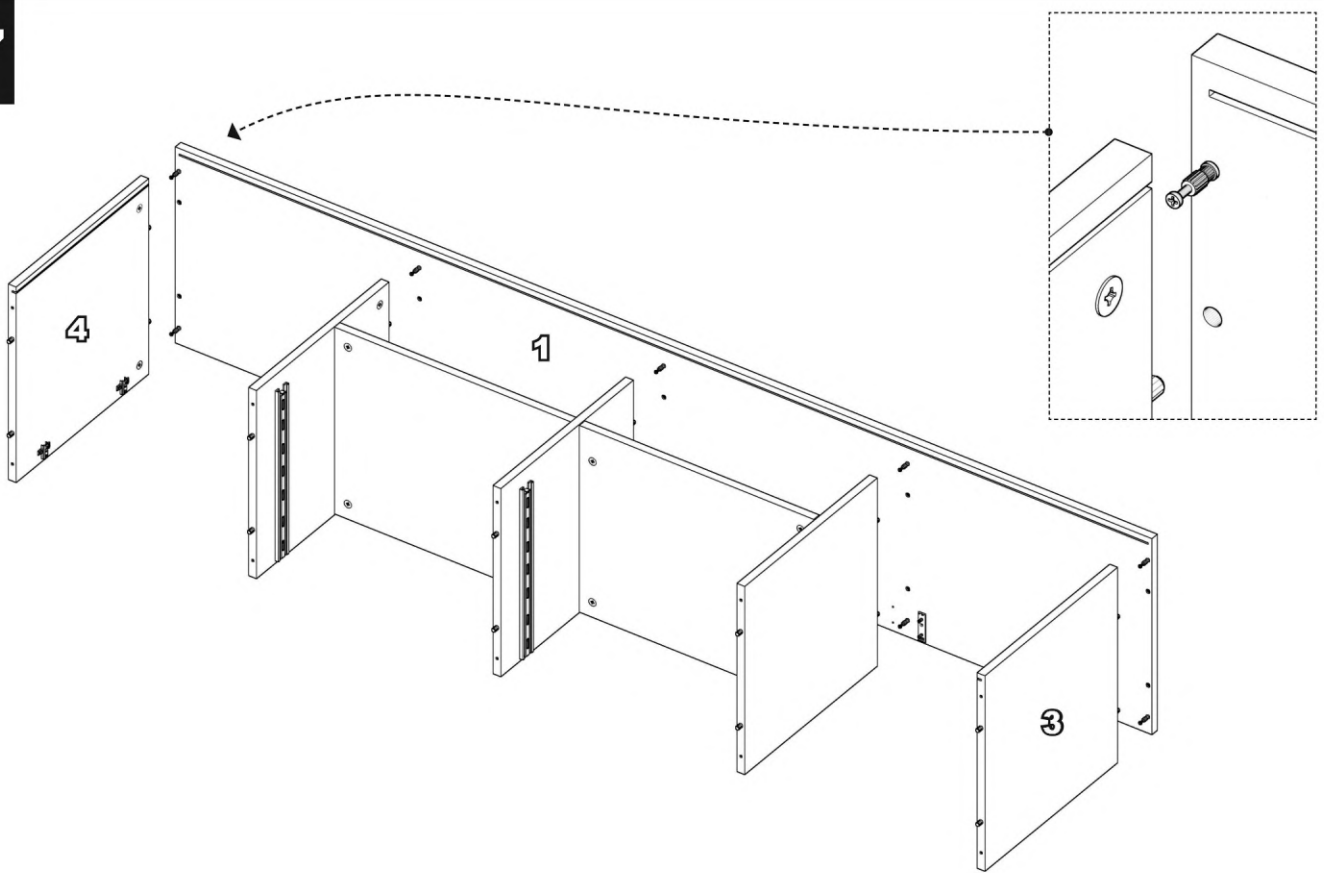




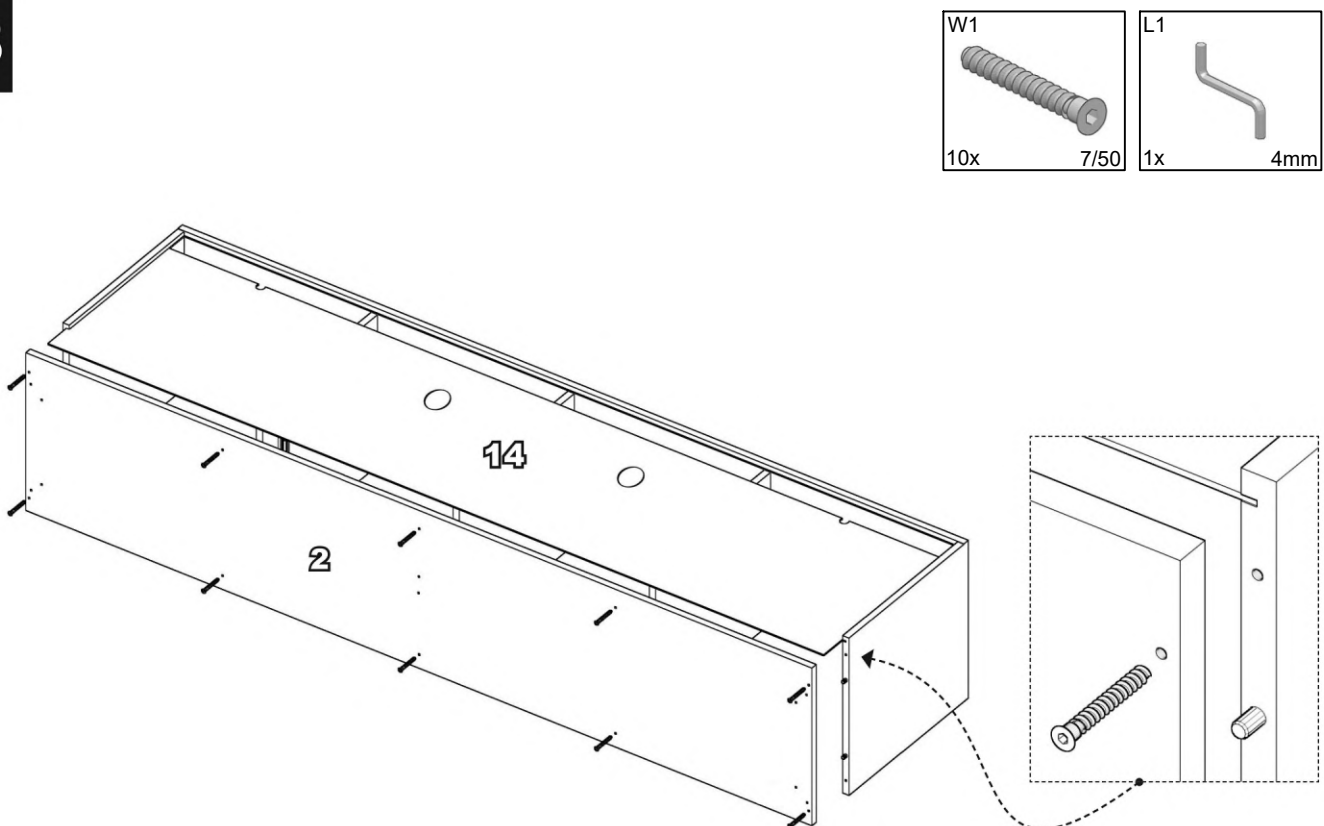
# SURF / WAVE - RTV 2D2S

SURF/WAVE RTV 2D2S - 31032023

**17**



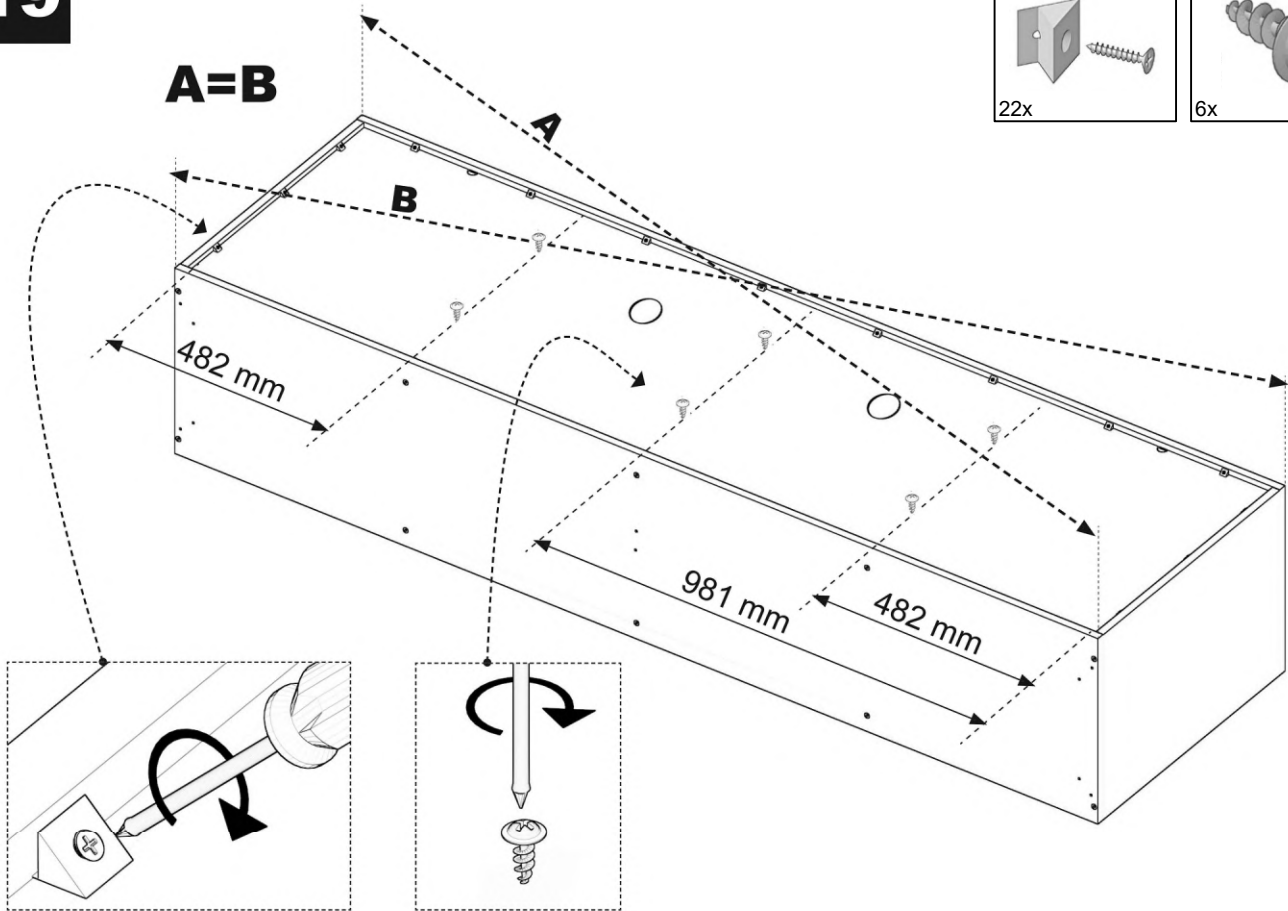
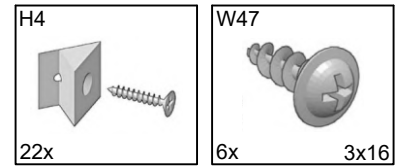
**18**



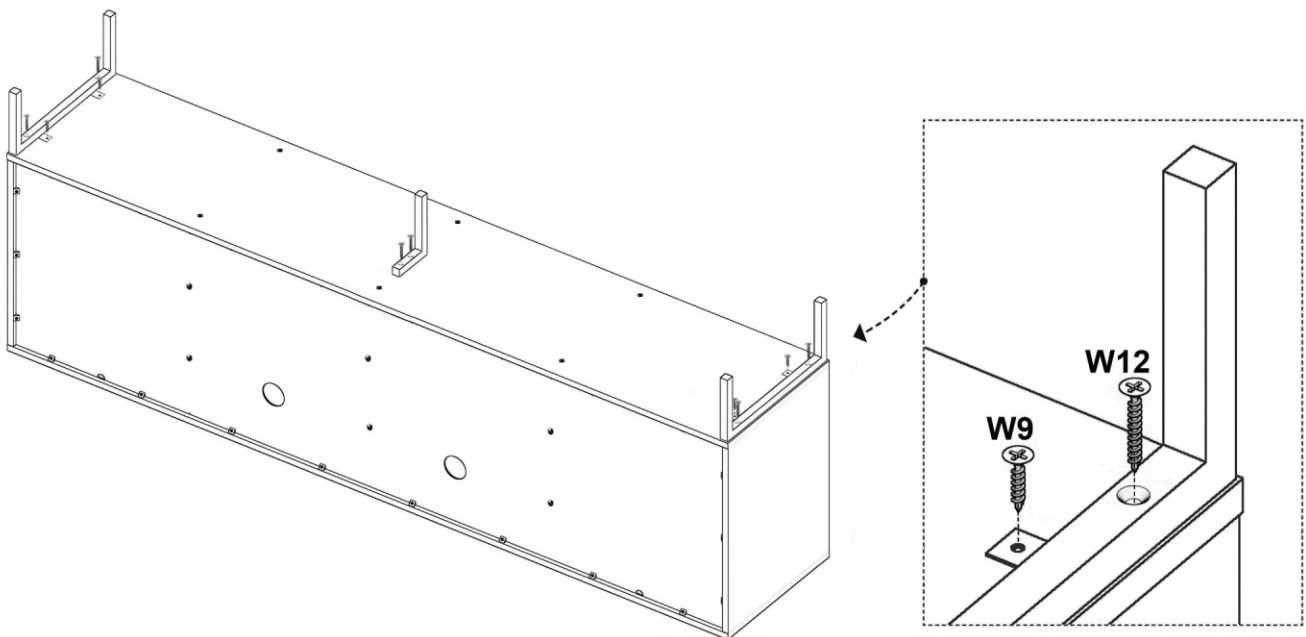
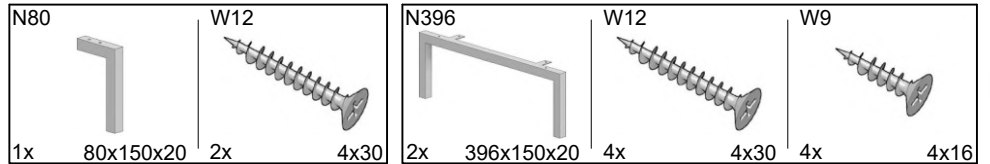
# SURF / WAVE - RTV 2D2S

SURF/WAVE RTV 2D2S - 31032023

19



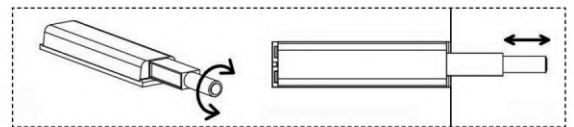
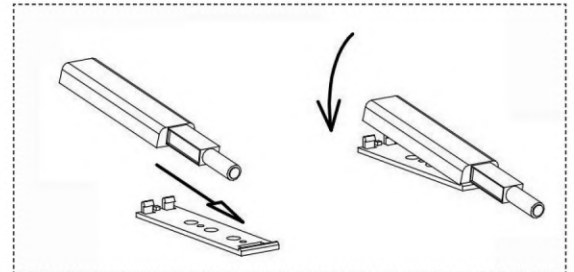
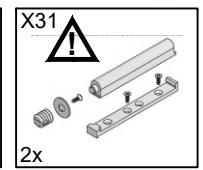
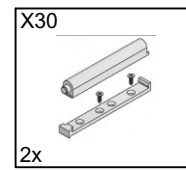
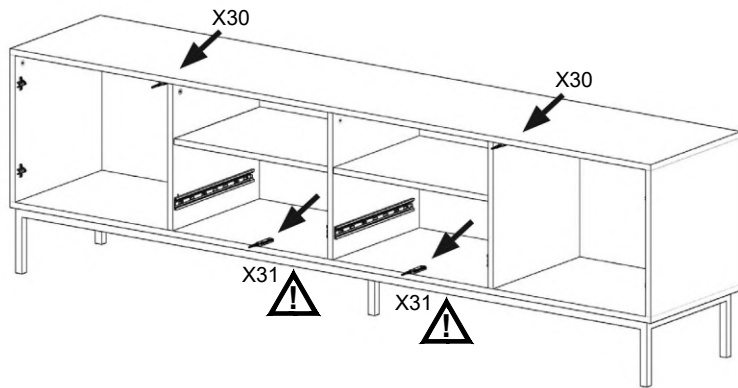
20



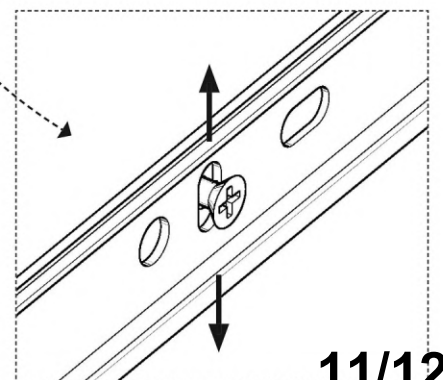
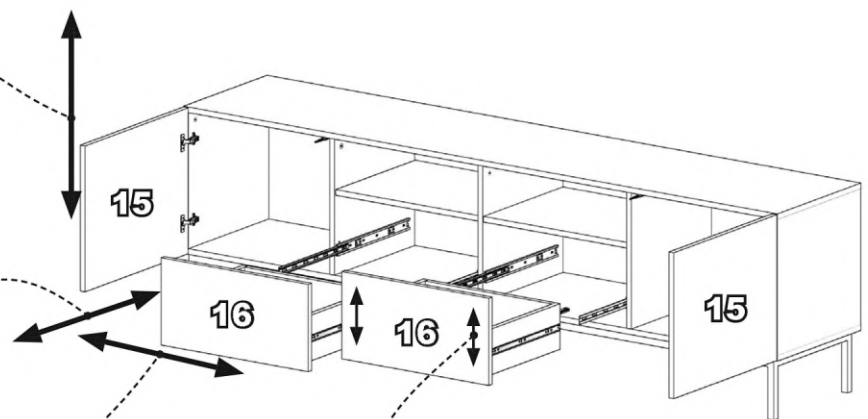
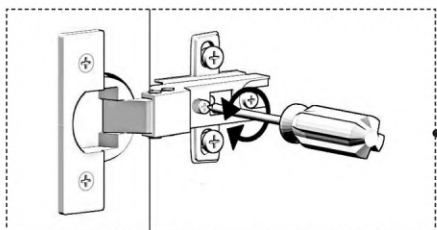
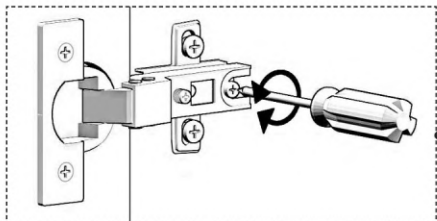
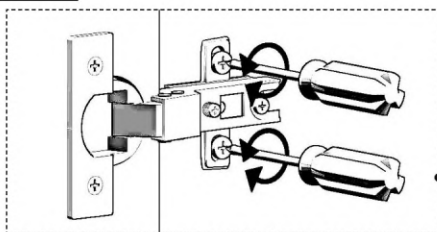
# SURF / WAVE - RTV 2D2S

SURF/WAVE RTV 2D2S - 31032023

## 21



## 22



11/12

# SURF / WAVE - RTV 2D2S

SURF/WAVE RTV 2D2S - 31032023

**23**

