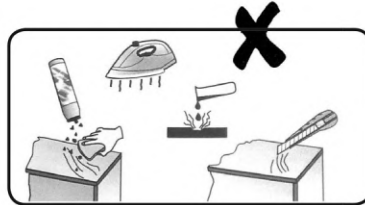
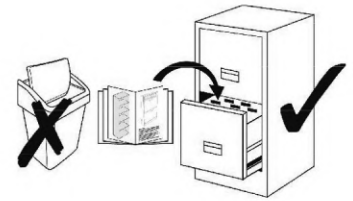
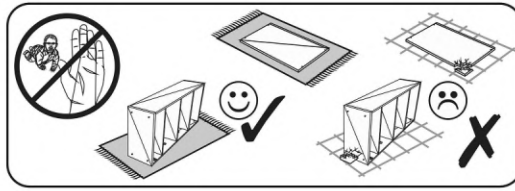


SURF / WAVE - RTV 4D

SURF/WAVE RTV 4D - 31032023

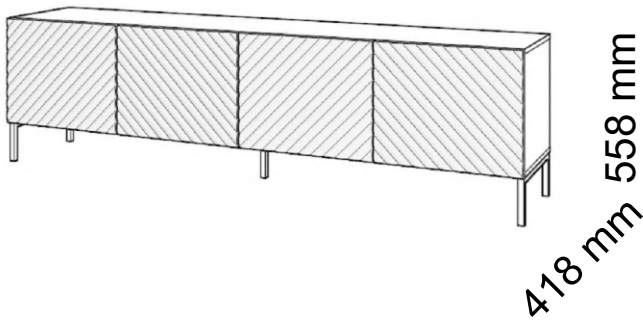


120 min



VER 1.

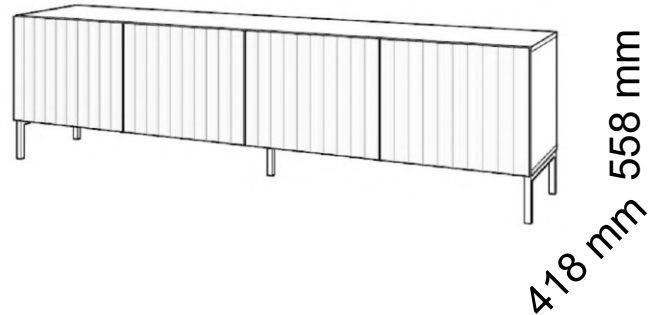
1996 mm



558 mm

VER 2.

1996 mm

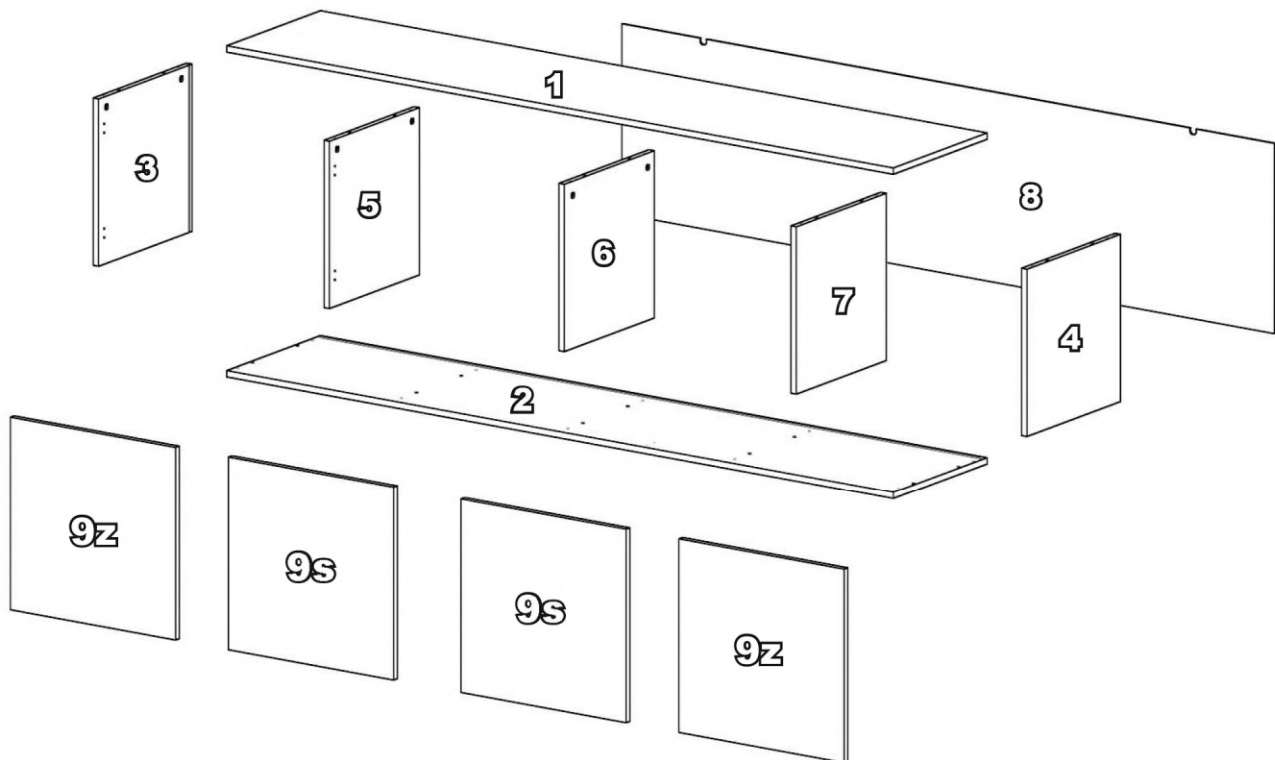


558 mm

 20x 8x30	 10x 7/50	 1x 4mm	 10x 20/Ø6x11	 10x Ø15x12	 6x 3x16	 16x 3,5x13
 4x	 4x	 4x	 8x	 4x	 4x	 8x
 20x	 2x	 2x+2x	 2x 396x150x20	 1x 80x150x20	 6x 4x30	 4x 4x16
 10x+10x Ø18						

SURF / WAVE - RTV 4D

SURF/WAVE RTV 4D - 31032023

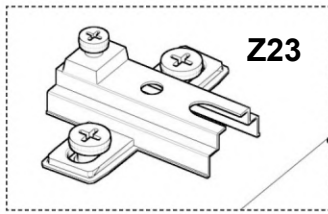
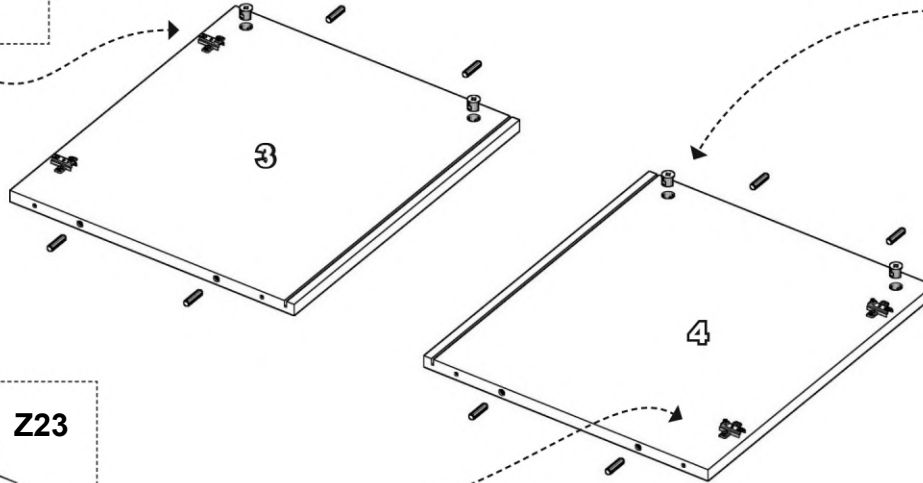
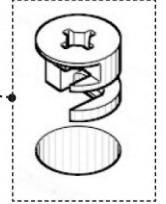
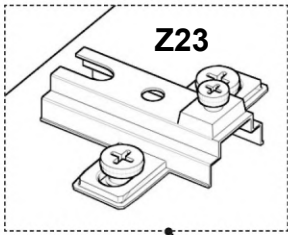
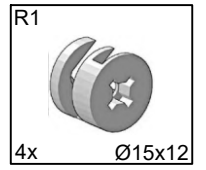
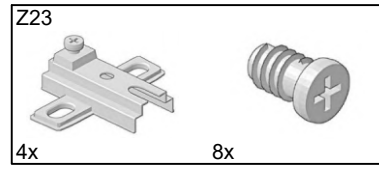
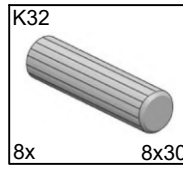


REP	DIM	QTE	package
1	1996 x 400 x 16	1	1/1
2	1996 x 400 x 16	1	1/1
3	376 x 400 x 16	1	1/1
4	376 x 400 x 16	1	1/1
5	376 x 380 x 16	1	1/1
6	376 x 380 x 16	1	1/1
7	376 x 380 x 16	1	1/1
8	1976 x 390 x 3,2	1	1/1
9	495 x 405 x 18	4	fronty

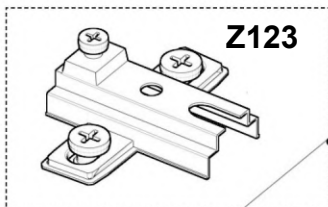
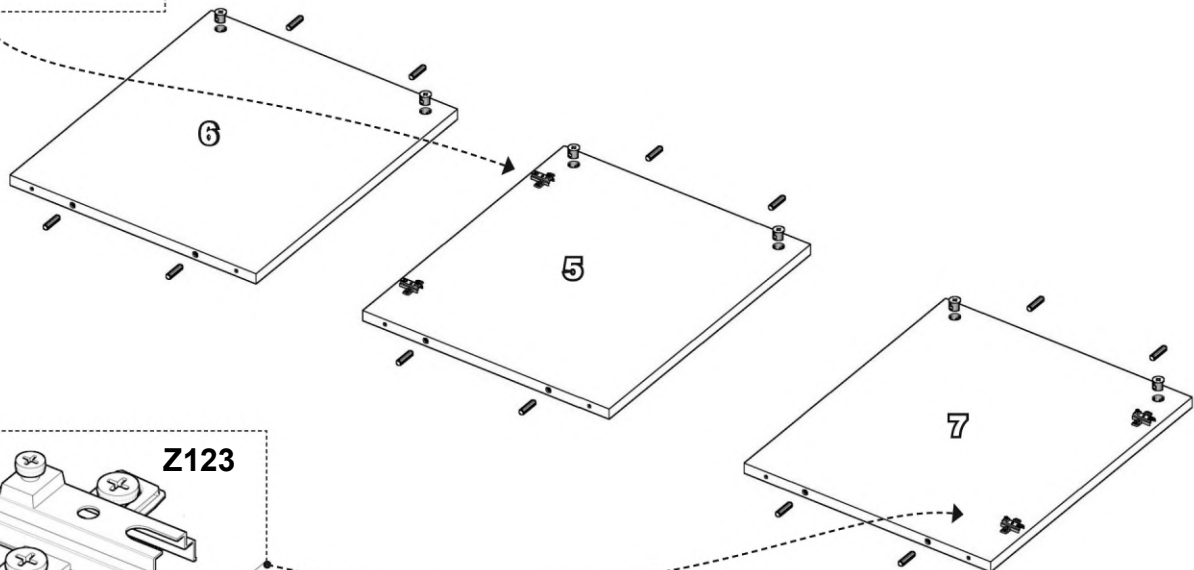
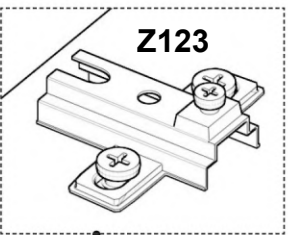
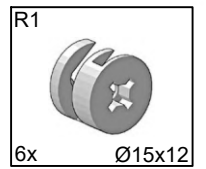
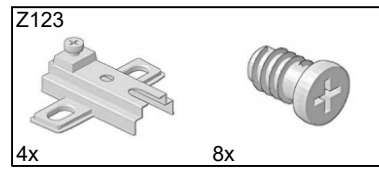
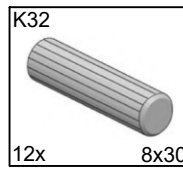
SURF / WAVE - RTV 4D

SURF/WAVE RTV 4D - 31032023

1



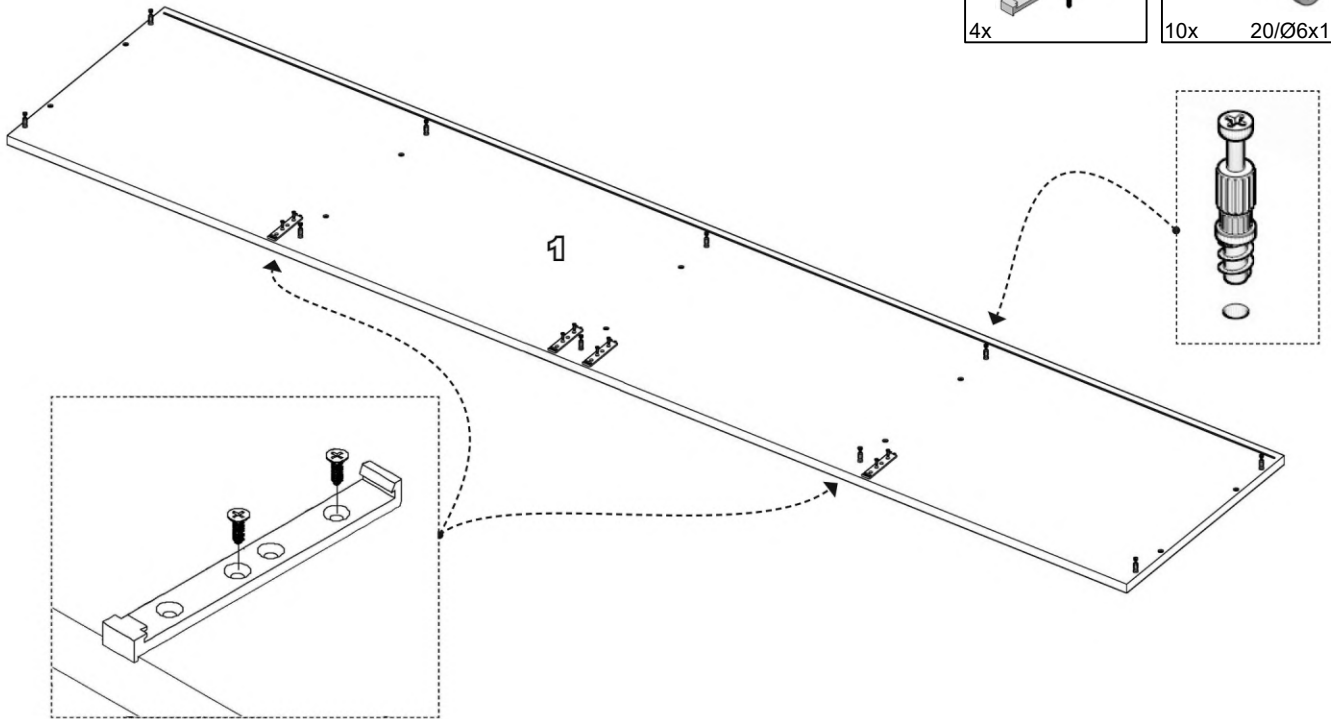
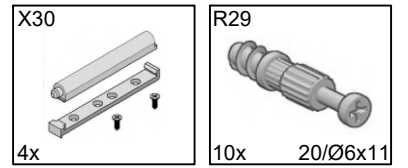
2



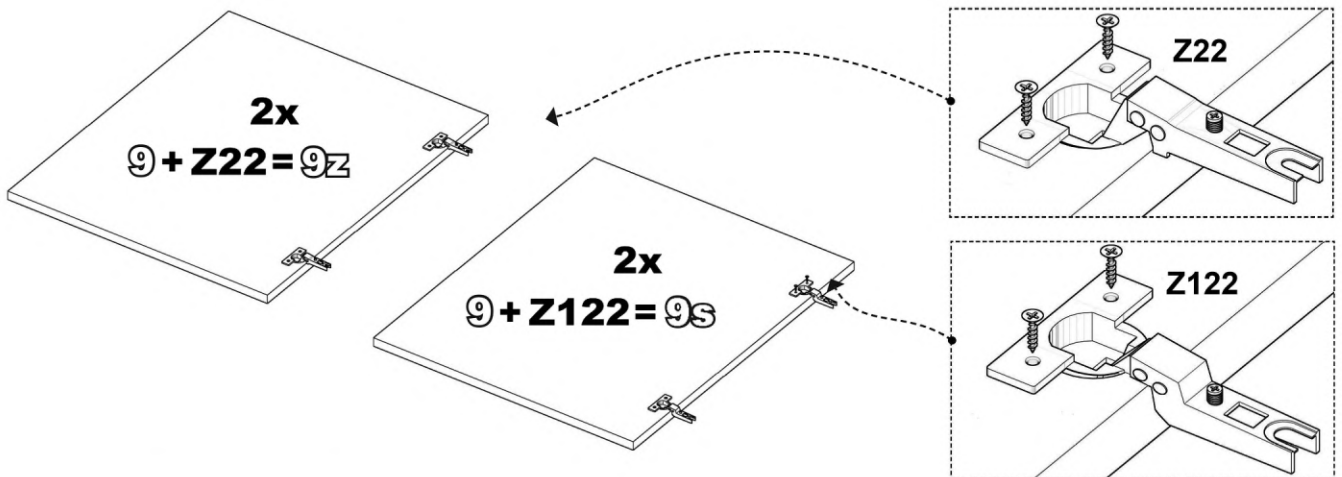
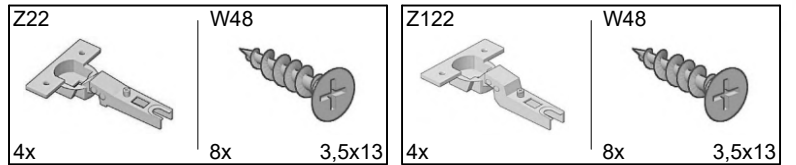
SURF / WAVE - RTV 4D

SURF/WAVE RTV 4D - 31032023

3



4



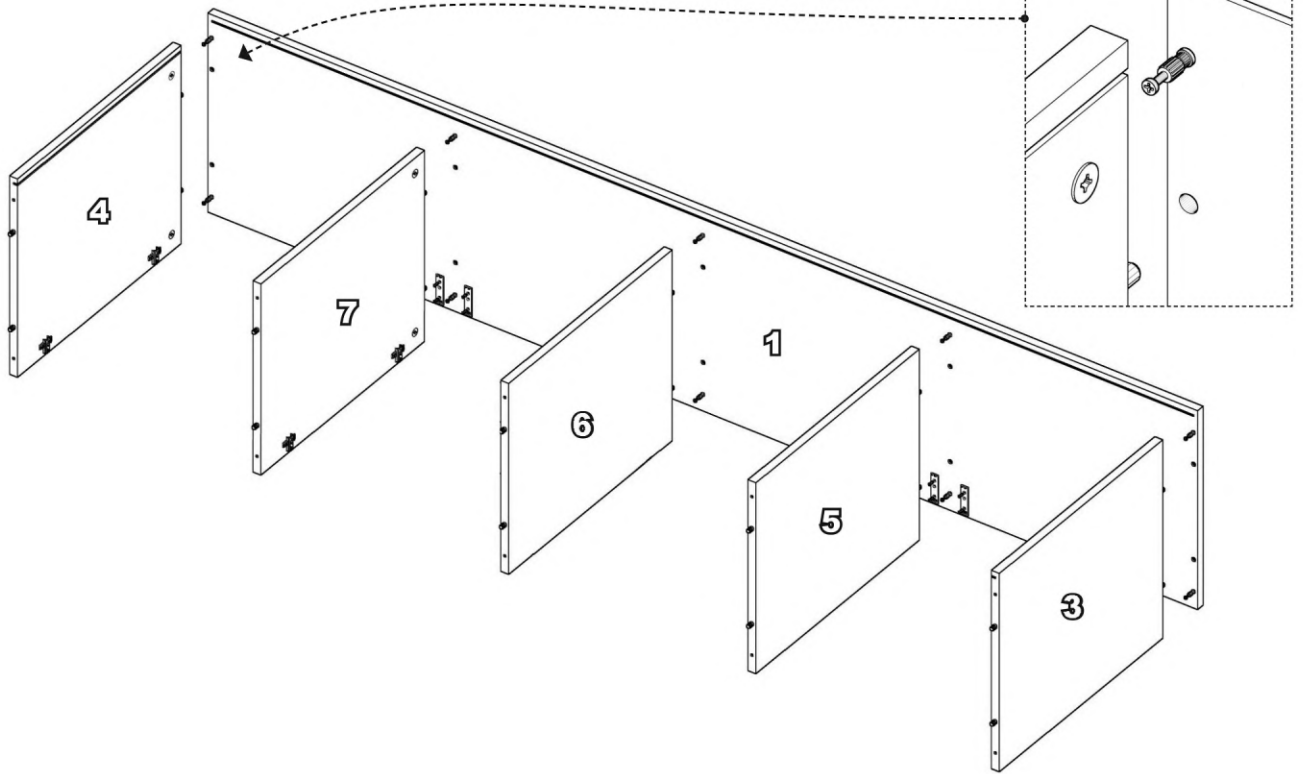
2x 9 + Z22 = 9Z

2x 9 + Z122 = 9S

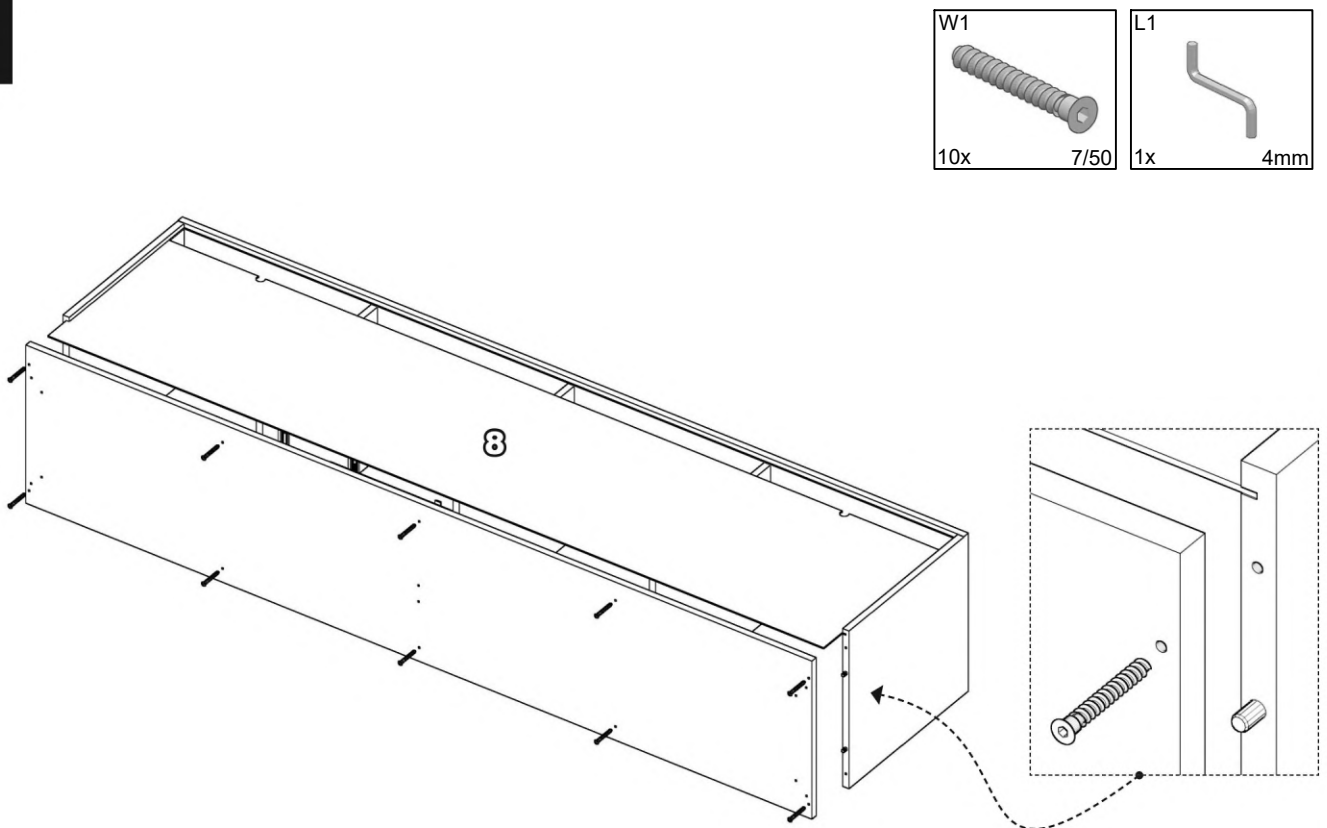
SURF / WAVE - RTV 4D

SURF/WAVE RTV 4D - 31032023

5



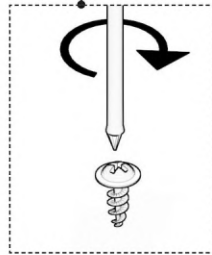
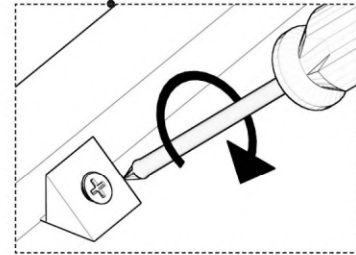
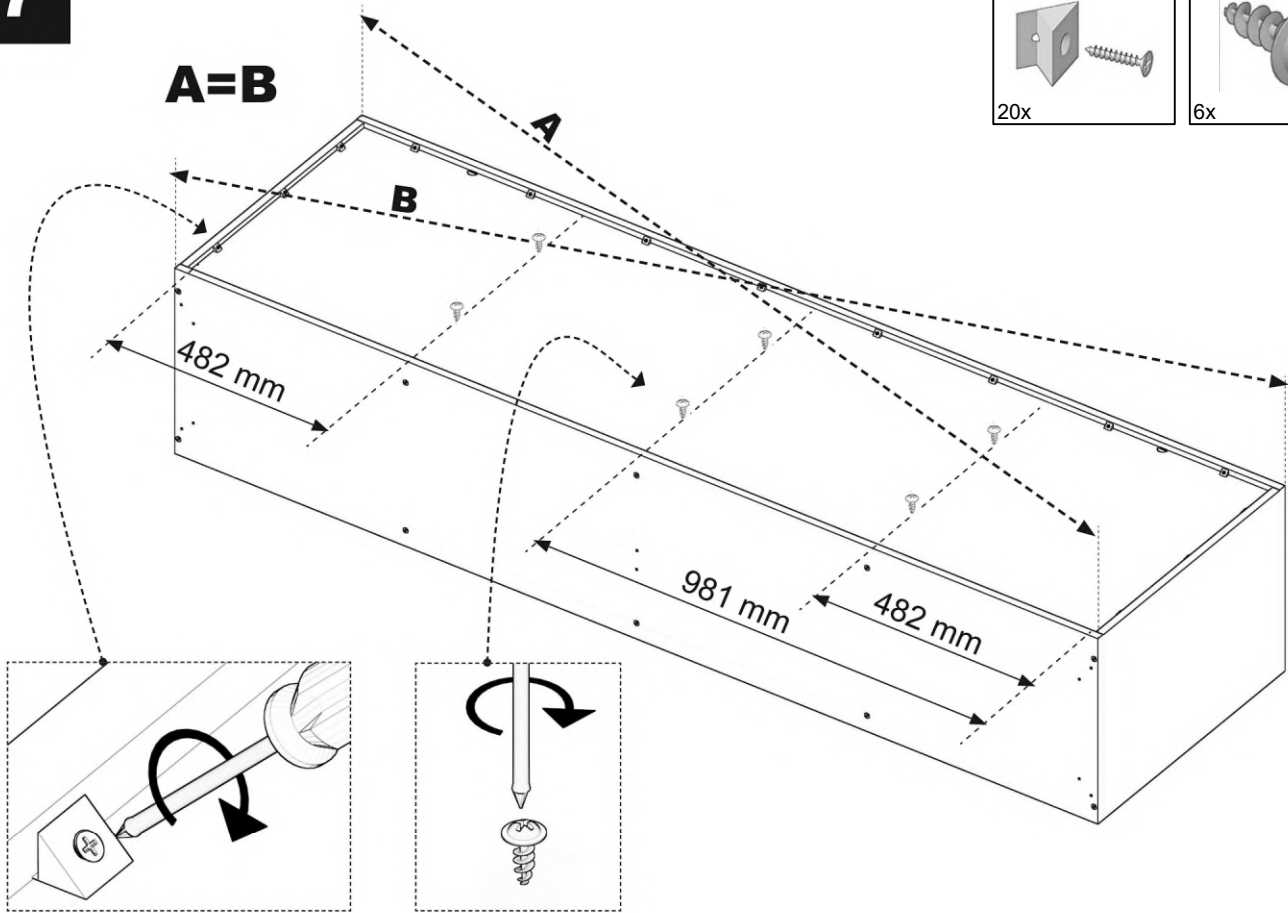
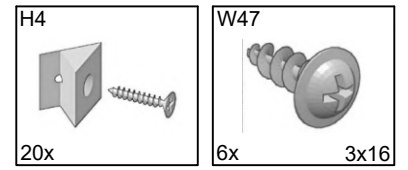
6



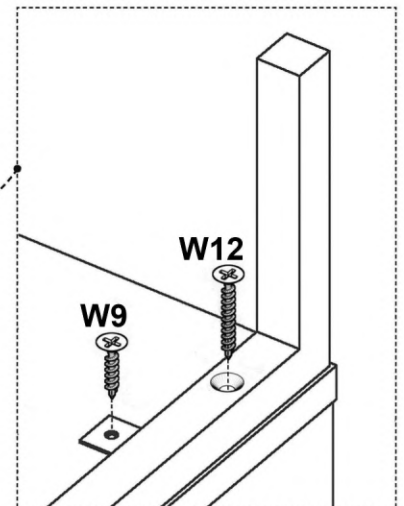
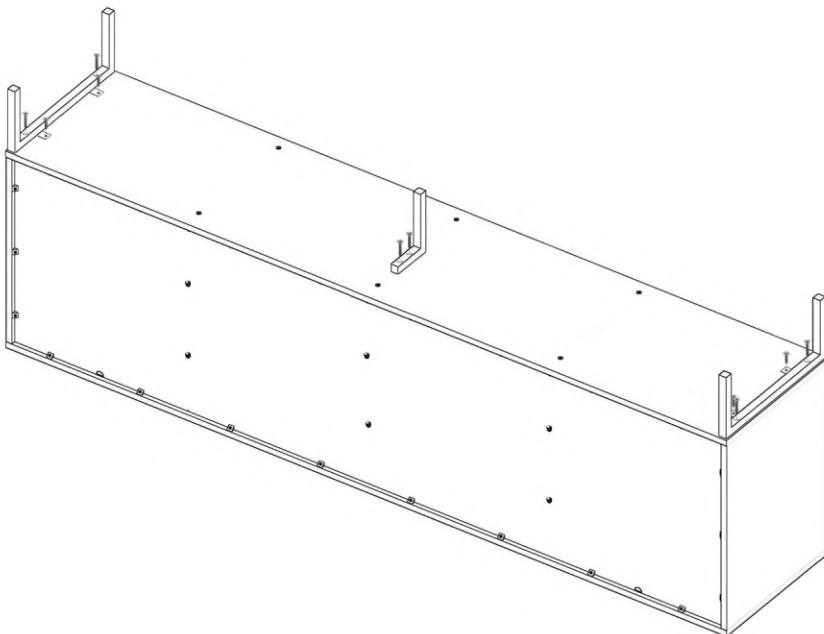
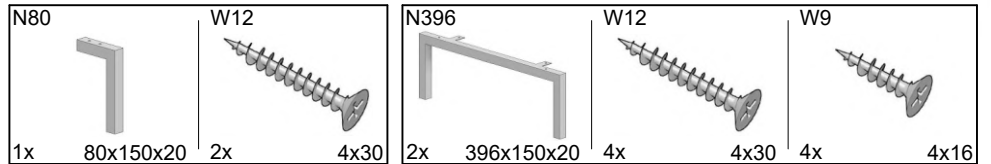
SURF / WAVE - RTV 4D

SURF/WAVE RTV 4D - 31032023

7



8



6/8

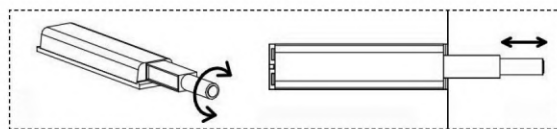
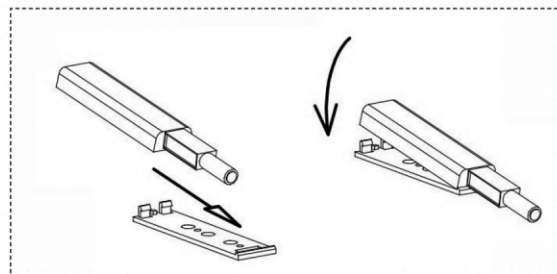
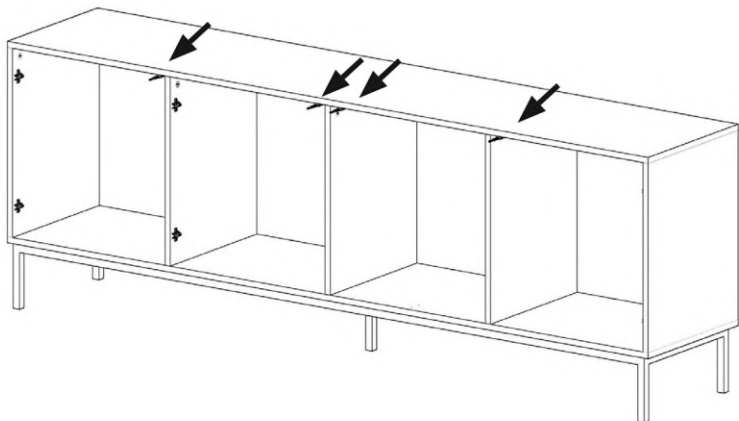
SURF / WAVE - RTV 4D

SURF/WAVE RTV 4D - 31032023

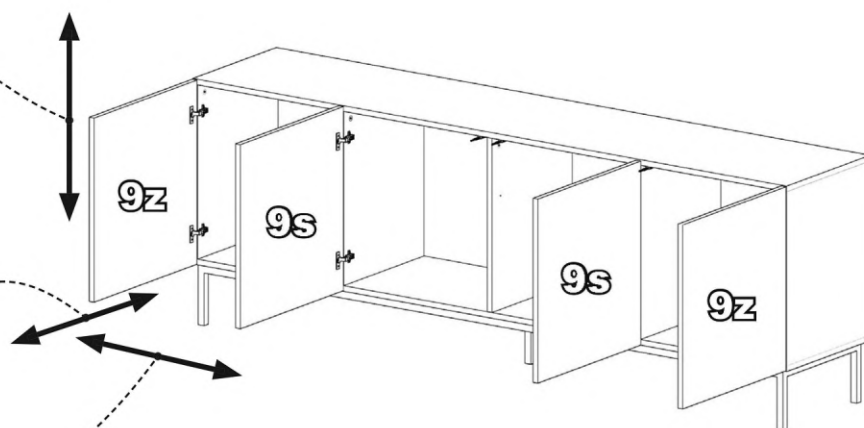
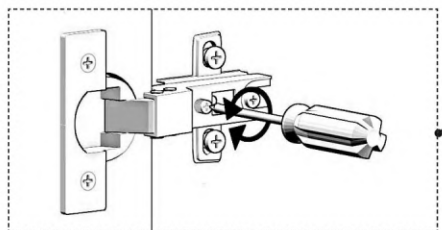
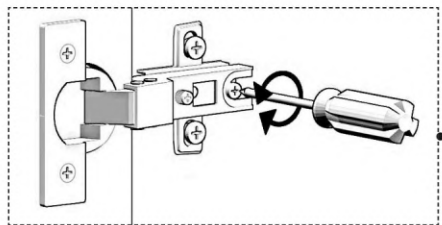
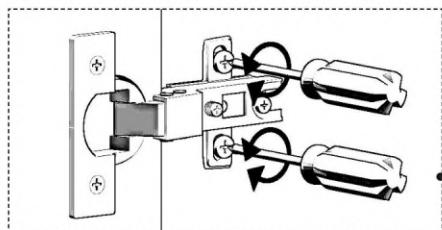
9

X30

4x



10



SURF / WAVE - RTV 4D

SURF/WAVE RTV 4D - 31032023

11

